



# T&S BRASS AND BRONZE WORKS, INC.

2 Saddleback Cove / P.O. Box 1088  
Travelers Rest, SC 29690

Model No.

**EC-3100-5XP15T4**

Item No.

Travelers Rest, SC: 800-476-4103 • Simi Valley, CA: 800-423-0150 • Fax: 864-834-3518 • www.tsbrass.com



**ADA Compliant**



This Space for Architect/Engineer Approval

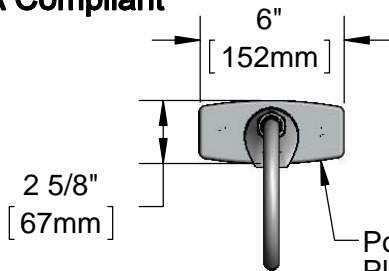
Job Name \_\_\_\_\_ Date \_\_\_\_\_

Model Specified \_\_\_\_\_ Quantity \_\_\_\_\_

Customer/Wholesaler \_\_\_\_\_

Contractor \_\_\_\_\_

Architect/Engineer \_\_\_\_\_



Polished Chrome Plated Deck Plate w/ Deck Gasket

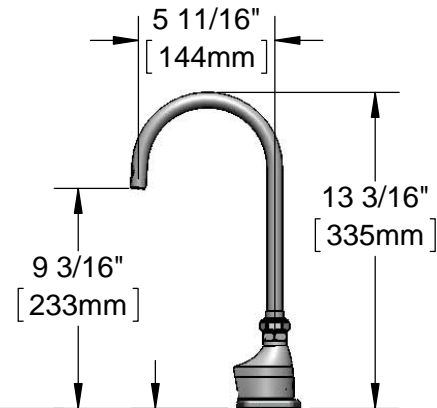


3 5/8" x 4 3/16" x 2" Deep [92mm x 106mm x 51mm] Water Resistant Control Module Box (Blue) w/ Internal Flow Control Setting Switches, AC Plug-in, or DC Operated w/ (4) AA Batteries. Hardwire Capable Using Terminals on Back

133XP Swivel Gooseneck w/ Plain End Outlet. Rigid Conversion Requires 014200-45 Lock Washer (Included)

Rigid-to-Swivel Adapter w/ 1.4 GPM Flow Control

24" [610mm] Sensor Cable  
Removable Strainer



Mounting Surface

1 1/2" [38mm] Maximum Thickness

4" [102mm]  
1/2" NPSM x 1/4" NPSM  
18" [457mm] Flexible Stainless Steel Hose

100-240 VAC Adapter w/ 71" [1800mm] Power Cord. (Remove Rubber Plugs on Module and Cable to Connect)

(2) 3/8" Compression x 1/2" NPSM  
18" [457mm] Flexible Stainless Steel Supply Hose

EC-TMV  
ASSE 1070 Thermostatic Temperature Mixing Valve w/ Integral Check Valves

Rough-In Requirement:  
Ø 1" [25mm] Center Hole  
(2) Ø 1 1/8" [29mm] Side Mounting Holes

**Product Specifications:**

Chrome Plated Brass Electronic Faucet: Single Hole Deck Mount Swivel Gooseneck w/ Plain End Outlet, Rigid-to-Swivel Adapter w/ 1.4 GPM Flow Control, Deck Plate, AC/DC Control Module w/ Internal Flow Control Setting Switches, Thermostatic Temperature Control Mixing Valve w/ Integral Check Valves & 18" Flexible Stainless Steel Supply Hoses

**Product Compliance:**

ASME A112.18.1 / CSA B125.1  
NSF 61 - Section 9  
NSF 372 (Low Lead Content)  
ANSI A117.1 (ADA)  
UL 1951  
ASSE 1070 (TMV)



# T&S BRASS AND BRONZE WORKS, INC.

2 Saddleback Cove / P.O. Box 1088  
Travelers Rest, SC 29690

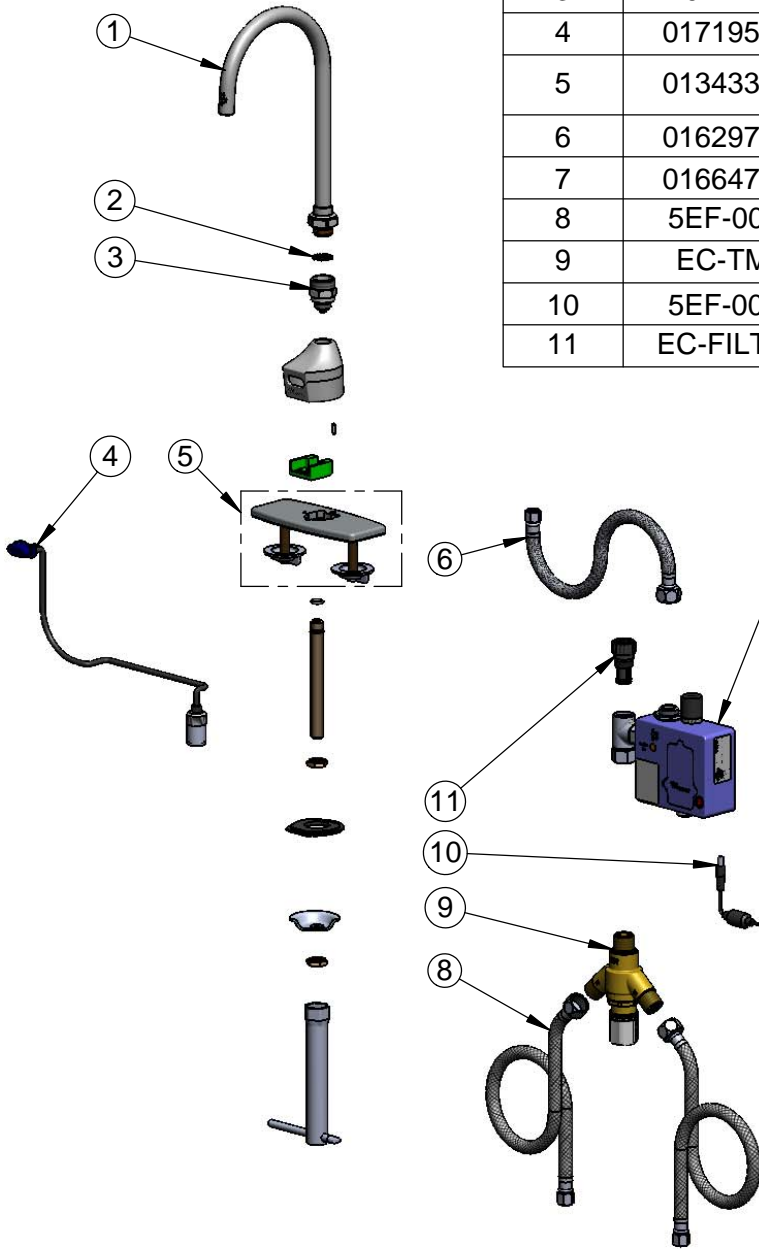
Model No.

**EC-3100-5XP15T4**

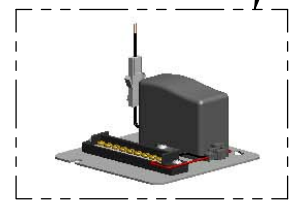
Item No.

Travelers Rest, SC: 800-476-4103 • Simi Valley, CA: 800-423-0150 • Fax: 864-834-3518 • www.tsbrass.com

ITEM NO.	SALES NO.	DESCRIPTION
1	133XP	Swivel Gooseneck w/ Plain End Outlet
2	014200-45	Star Washer, Anti-Rotation
3	B-0412-F15	Rigid-to-Swivel Adapter w/ 1.4 GPM Flow Control
4	017195-45	Angled Sensor w/ Cable
5	013433-40	4" Universal Deck Plate, Gasket & Mounting Hardware
6	016297-45	1/2" NPSM-F x 1/4" NPSM-F Inlet Hose
7	016647-45	ChekPoint Electronic Module (Blue)
8	5EF-0005	9/16-24 Female x 1/2" NPSM Supply Hose
9	EC-TMV	ASSE 1070 Thermostatic Mixing Valve
10	5EF-0002	A/C Transformer
11	EC-FILTER	Replacement Filter



A Maximum of (8) ChekPoint Faucets can be Hardwire Connected and Powered by EC-HARDWIRE ChekPoint Hardwire AC Transformer. (Sold Separately)



Label for Flow Control Switch Settings is Located on Inside of Back Cover.

Flow Control Switches are Located Inside Module Housing in Black Box Next to Battery Compartment.  
\*Switches are Set to DEFAULT Position:  
- Auto Time Out = 15 Seconds  
- Shut Off Delay = 1 Second  
- Auto Flush = OFF

Remove (4) Screws and Back Cover to Access Switches.

**\*Available Water Flow Control Selections:**

- Auto Time Out: 15 sec, 30 sec, 45 sec, 60 sec, 3 min, 20 min
- Shut Off Delay: 1 sec, 10 sec, 15 sec, 30 sec
- Auto Flush (30 Seconds After Every 12 Inactive Hours): ON or OFF

**Product Specifications:**

Chrome Plated Brass Electronic Faucet: Single Hole Deck Mount Swivel Gooseneck w/ Plain End Outlet, Rigid-to-Swivel Adapter w/ 1.4 GPM Flow Control, Deck Plate, AC/DC Control Module w/ Internal Flow Control Setting Switches, Thermostatic Temperature Control Mixing Valve w/ Integral Check Valves & 18" Flexible Stainless Steel Supply Hoses

**Product Compliance:**

ASME A112.18.1 / CSA B125.1  
NSF 61 - Section 9  
NSF 372 (Low Lead Content)  
ANSI A117.1 (ADA)  
UL 1951  
ASSE 1070 (TMV)