

T&S BRASS AND BRONZE WORKS, INC.
 2 Saddleback Cove / P.O. Box 1088
 Travelers Rest, SC 29690

Model No.
EB-0107-J

Item No.

Travelers Rest, SC: 800-476-4103 • Simi Valley, CA: 800-423-0150 • Fax: 864-834-3518 • www.tsbrass.com



This Space for Architect/Engineer Approval

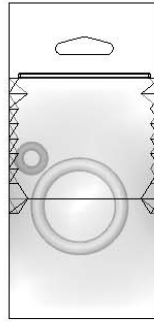
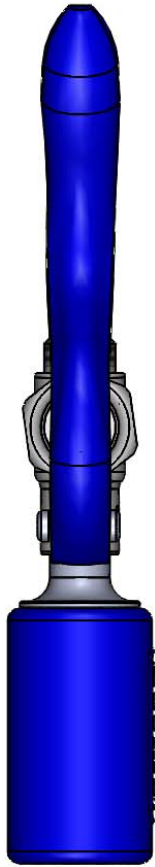
Job Name _____ Date _____

Model Specified _____ Quantity _____

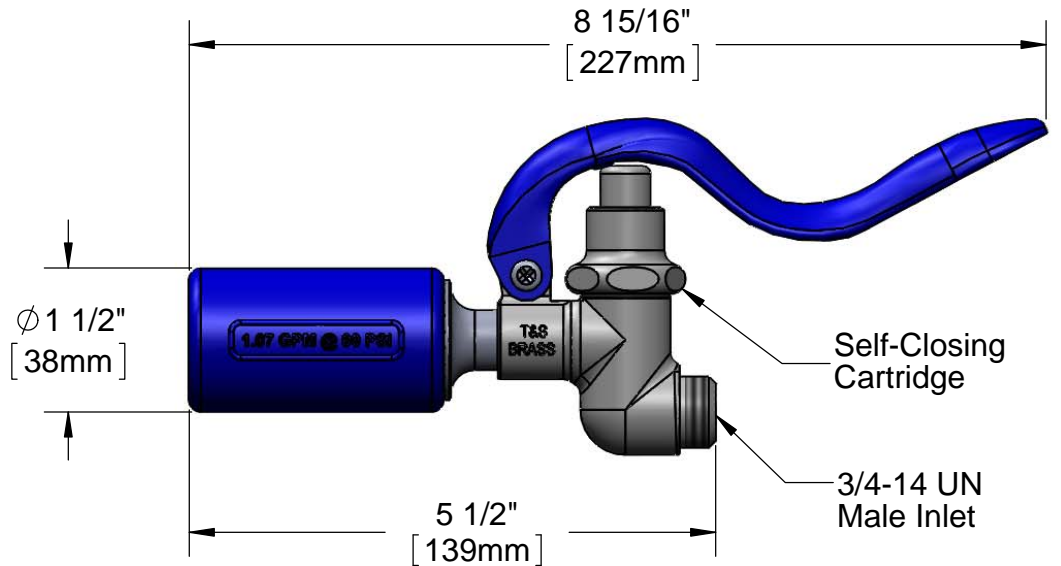
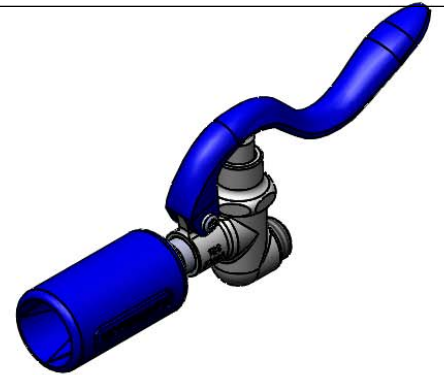
Customer/Wholesaler _____

Contractor _____

Architect/Engineer _____



Hose Washer &
 Hold Down Ring
 (Included)



Product Specifications:
 Blue Self-Closing Pre-Rinse Spray Valve, 1.07 GPM Spray Nozzle

Product Compliance:
 ASME A112.18.1 / CSA B125.1
 NSF 61 - Section 9
 NSF 372 (Low Lead Content)
 EPA Act 2005 (PRSV)
 EPA WaterSense (PRSV)



T&S BRASS AND BRONZE WORKS, INC.

2 Saddleback Cove / P.O. Box 1088
Travelers Rest, SC 29690

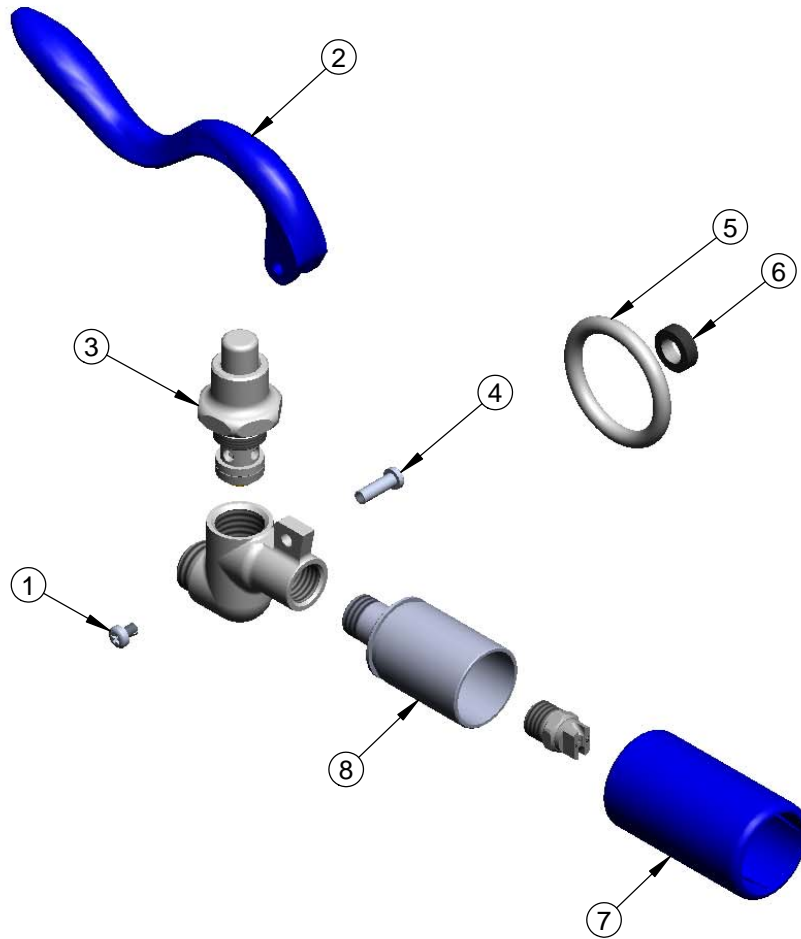
Model No.

EB-0107-J

Item No.

Travelers Rest, SC: 800-476-4103 • Simi Valley, CA: 800-423-0150 • Fax: 864-834-3518 • www.tsbrass.com

| ITEM NO. | SALES NO. | DESCRIPTION |
|----------|------------|--------------------------------|
| 1 | 003199-45 | Spray Valve Handle Screw |
| 2 | 011454-45 | Spray Valve Handle - Blue |
| 3 | 0010594-40 | B-107 Bonnet |
| 4 | 003198-45 | Spray Valve Handle Nut |
| 5 | 000907-45 | Spray Valve Hold Down Ring |
| 6 | 010476-45 | #27 Washer |
| 7 | 018293-45 | Blue Shield, Low Flow 1.07 GPM |
| 8 | 003128-25 | Low Flow Nozzle Holder |



Product Specifications:
Blue Self-Closing Pre-Rinse Spray Valve, 1.07 GPM Spray Nozzle

Product Compliance:
ASME A112.18.1 / CSA B125.1
NSF 61 - Section 9
NSF 372 (Low Lead Content)
EPA Act 2005 (PRSV)
EPA WaterSense (PRSV)