

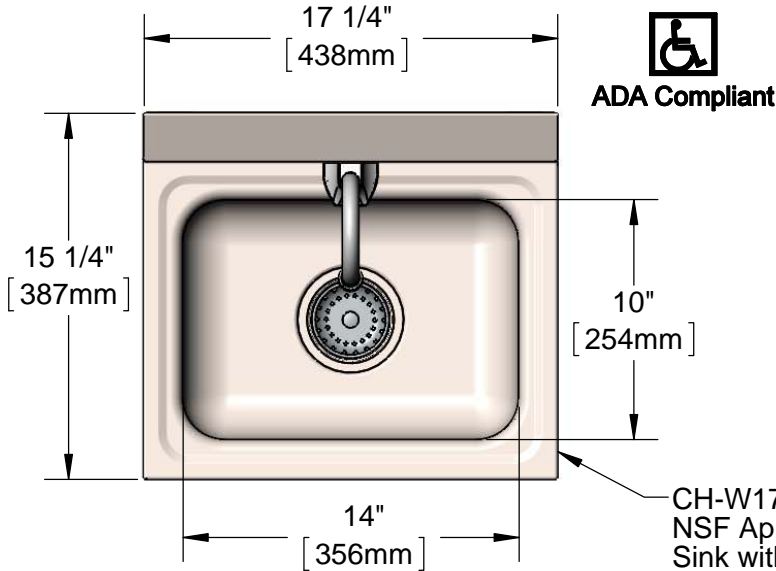


**T&S BRASS AND BRONZE WORKS, INC.**  
 2 Saddleback Cove / P.O. Box 1088  
 Travelers Rest, SC 29690

Model No.  
**CH-3101**

Item No.

Travelers Rest, SC: 800-476-4103 • Simi Valley, CA: 800-423-0150 • Fax: 864-834-3518 • www.tsbrass.com



This Space for Architect/Engineer Approval

Job Name \_\_\_\_\_ Date \_\_\_\_\_

Model Specified \_\_\_\_\_ Quantity \_\_\_\_\_

Customer/Wholesaler \_\_\_\_\_

Contractor \_\_\_\_\_

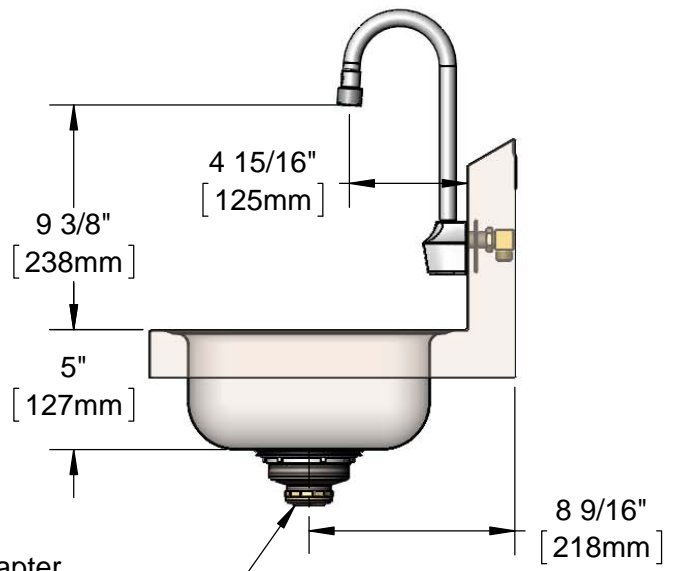
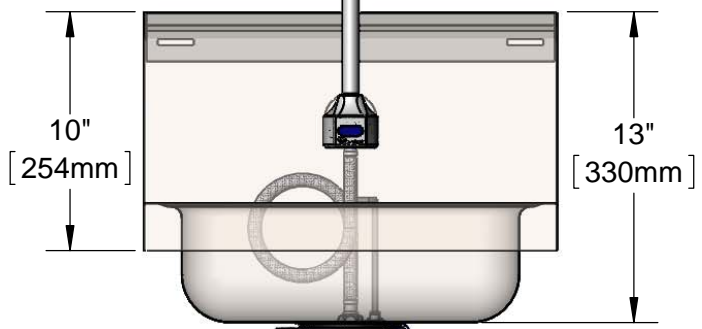
Architect/Engineer \_\_\_\_\_



CH-W1715  
 NSF Approved Stainless Steel  
 Sink with 3 1/2" Drain Hole.  
 Supplied with Mounting Bracket  
 and Drain Assembly w/ Basket Strainer

EC-3101  
 ChekPoint Electronic  
 Sensor Faucet

2.2 GPM  
 VR Aerator



Removable  
 Strainer

100-240 VAC Adapter  
 w/ 144" [3658mm] Long  
 Double Power Cord.  
 (Remove Rubber Plugs  
 on Module and Cable  
 to Connect)

Drain Assembly Adapts to  
 Ø 1 1/2" Tailpiece

Temperature Mixing Valve  
 w/ Integral Check Valves

(2) 3/8" Compression x 1/2" NPSM  
 18" [457mm] Flexible Stainless Steel  
 Supply Hose

Product Specifications:  
 Hand Wash Sink / Elec. Sensor Faucet, Stainless Steel Sink / Backsplash,  
 3 1/2" Drain Assembly, Model EC-3101 ChekPoint Electronic Sensor Faucet,  
 Rigid GN w/ VR Aerator, AC/DC Control Module, Temp. Control Mixing Valve,  
 18" Flexible Supply Hoses

Product Compliance:  
 ASME A112.18.1 / CSA B125.1  
 NSF 61 - Section 9  
 NSF 372 (Low Lead Content)  
 UL 1951  
 NSF/ANSI 2 (Sink)



# T&S BRASS AND BRONZE WORKS, INC.

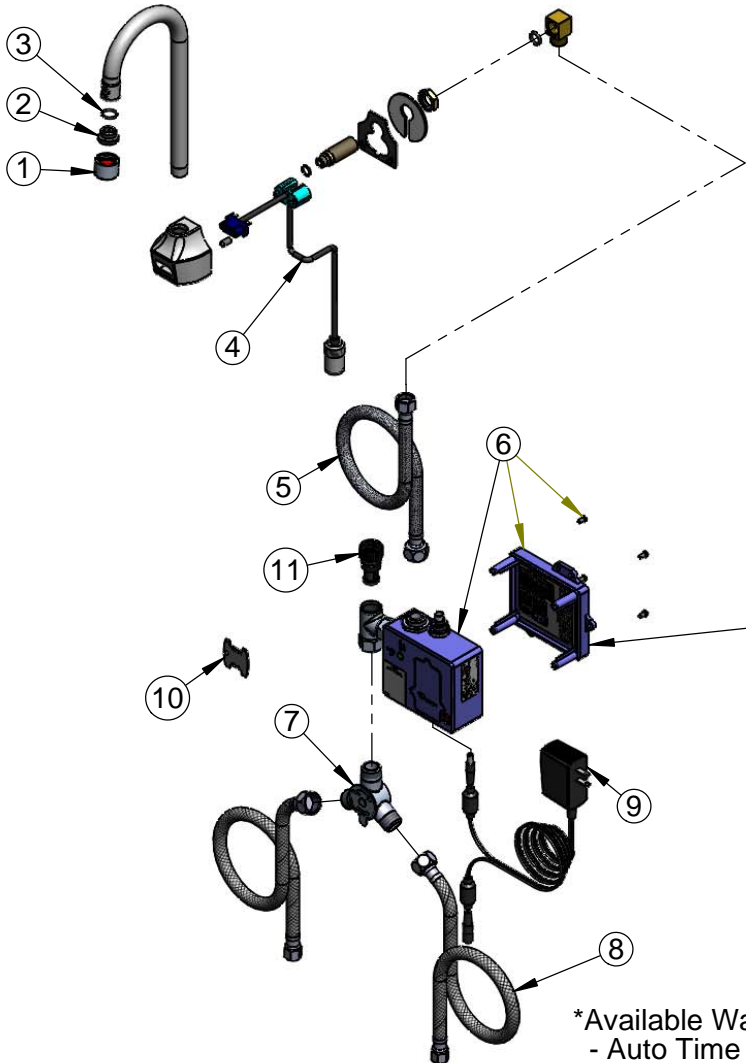
2 Saddleback Cove / P.O. Box 1088  
Travelers Rest, SC 29690

Model No.

**CH-3101**

Item No.

Travelers Rest, SC: 800-476-4103 • Simi Valley, CA: 800-423-0150 • Fax: 864-834-3518 • www.tsbrass.com



| ITEM NO. | SALES NO. | DESCRIPTION                                   |
|----------|-----------|---|
| 1        | B-0199-06 | VR Aerator w/ Key                             |
| 2        | 044A      | 3/8" to Aerator Adapter                       |
| 3        | 006575-45 | -015 O-Ring                                   |
| 4        | 017195-45 | Angled Sensor w/ Cable                        |
| 5        | 016325-45 | Inlet Hose, Faucet, 1/2" NPSM-F x 3/8" NPSM-F |
| 6        | 016647-45 | ChekPoint Module (Blue)                       |
| 7        | 5EF-0006  | Mechanical Mixing Valve                       |
| 8        | 5EF-0005  | Supply Hose, 9/16-24 Female x 1/2" NPSM       |
| 9        | 5EF-0002  | A/C Transformer                               |
| 10       | 015425-45 | Vandal Resistant Key                          |
| 11       | EC-FILTER | Replacement Filter                            |
| 12       | CH-W1715  | 17" x 15" Sink w/ Drain Asm                   |

Label for Flow Control Switch Settings is Located on Inside of Back Cover.

Flow Control Switches are Located Inside Module Housing in Black Box Next to Battery Compartment.

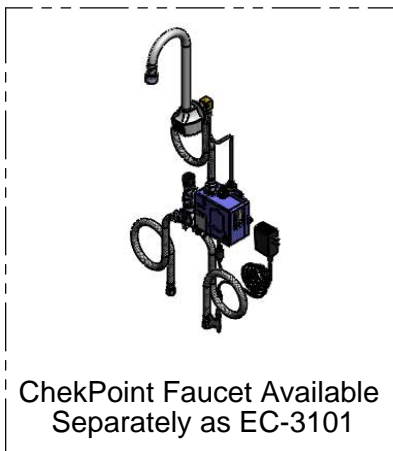
\*Switches are Set to DEFAULT Position:

- Auto Time Out = 15 Seconds
- Shut Off Delay = 1 Second
- Auto Flush = OFF

Remove (4) Screws and Back Cover to Access Switches.

\*Available Water Flow Control Selections:

- Auto Time Out: 15 sec, 30 sec, 45 sec, 60 sec, 3 min, 20 min
- Shut Off Delay: 1 sec, 10 sec, 15 sec, 30 sec
- Auto Flush (30 Seconds After Every 12 Inactive Hours): ON or OFF



ChekPoint Faucet Available Separately as EC-3101



12

**Product Specifications:**

Hand Wash Sink / Elec. Sensor Faucet, Stainless Steel Sink / Backsplash, 3 1/2" Drain Assembly, Model EC-3101 ChekPoint Electronic Sensor Faucet, Rigid GN w/ VR Aerator, AC/DC Control Module, Temp. Control Mixing Valve, 18" Flexible Supply Hoses

**Product Compliance:**

ASME A112.18.1 / CSA B125.1  
NSF 61 - Section 9  
NSF 372 (Low Lead Content)  
UL 1951  
NSF/ANSI 2 (Sink)