



T&S BRASS AND BRONZE WORKS, INC.
 2 Saddleback Cove / P.O. Box 1088
 Travelers Rest, SC 29690

Model No.
BL-9550-01 Series

Item No.

Travelers Rest, SC: 800-476-4103 • Simi Valley, CA: 800-423-0150 • Fax: 864-834-3518 • www.tsbrass.com

This Space for Architect/Engineer Approval

Job Name _____ Date _____

Model Specified _____ Quantity _____

Customer/Wholesaler _____

Contractor _____

Architect/Engineer _____



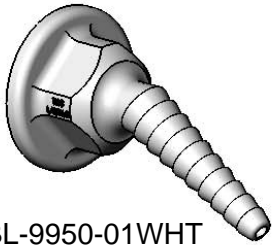
BL-9950-01BLU



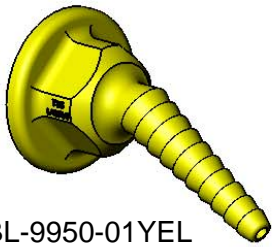
BL-9950-01GRN



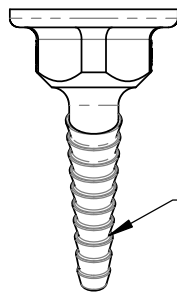
BL-9950-01ORG



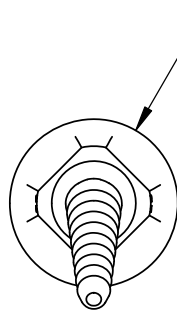
BL-9950-01WHT



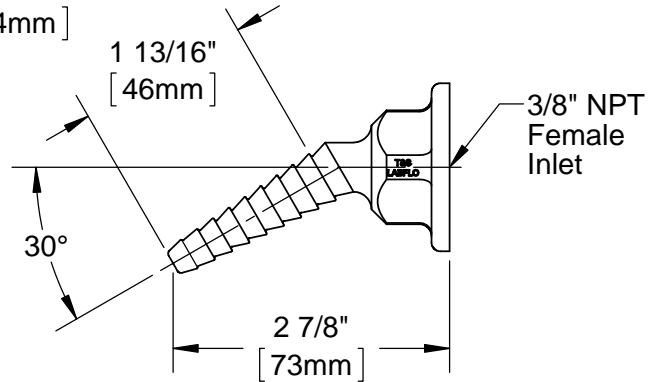
BL-9950-01YEL



Serrated Tip Accepts
 1/4" to 3/8" ID Hoses



Ø 1 3/4"
 [44mm]



Part No.	Color	Application
BL-9550-01BLU	Blue	Gas
BL-9550-01GRN	Green	Cold Water
BL-9550-01ORG	Orange	Air
BL-9550-01WHT	White	Purified Water (DI, Distilled, or RO)
BL-9550-01YEL	Yellow	Vacuum

Product Specifications:
 Polypropylene Panel Flange with Serrated Tip & 3/8" NPT Female Inlet

Product Compliance:
 ASME A112.18.1 / CSA B125.1