



# T&S BRASS AND BRONZE WORKS, INC.

2 Saddleback Cove / P.O. Box 1088  
Travelers Rest, SC 29690



REG. #A2601  
ISO #9001

Model No.

**BL-9515-03**

Item No.

Travelers Rest, SC: 800-476-4103 Simi Valley, CA: 800-423-0150 Fax: 864-834-3518 www.tsbrass.com

This Space for Architect/Engineer Approval

Job Name \_\_\_\_\_ Date \_\_\_\_\_

Model Specified \_\_\_\_\_ Quantity \_\_\_\_\_

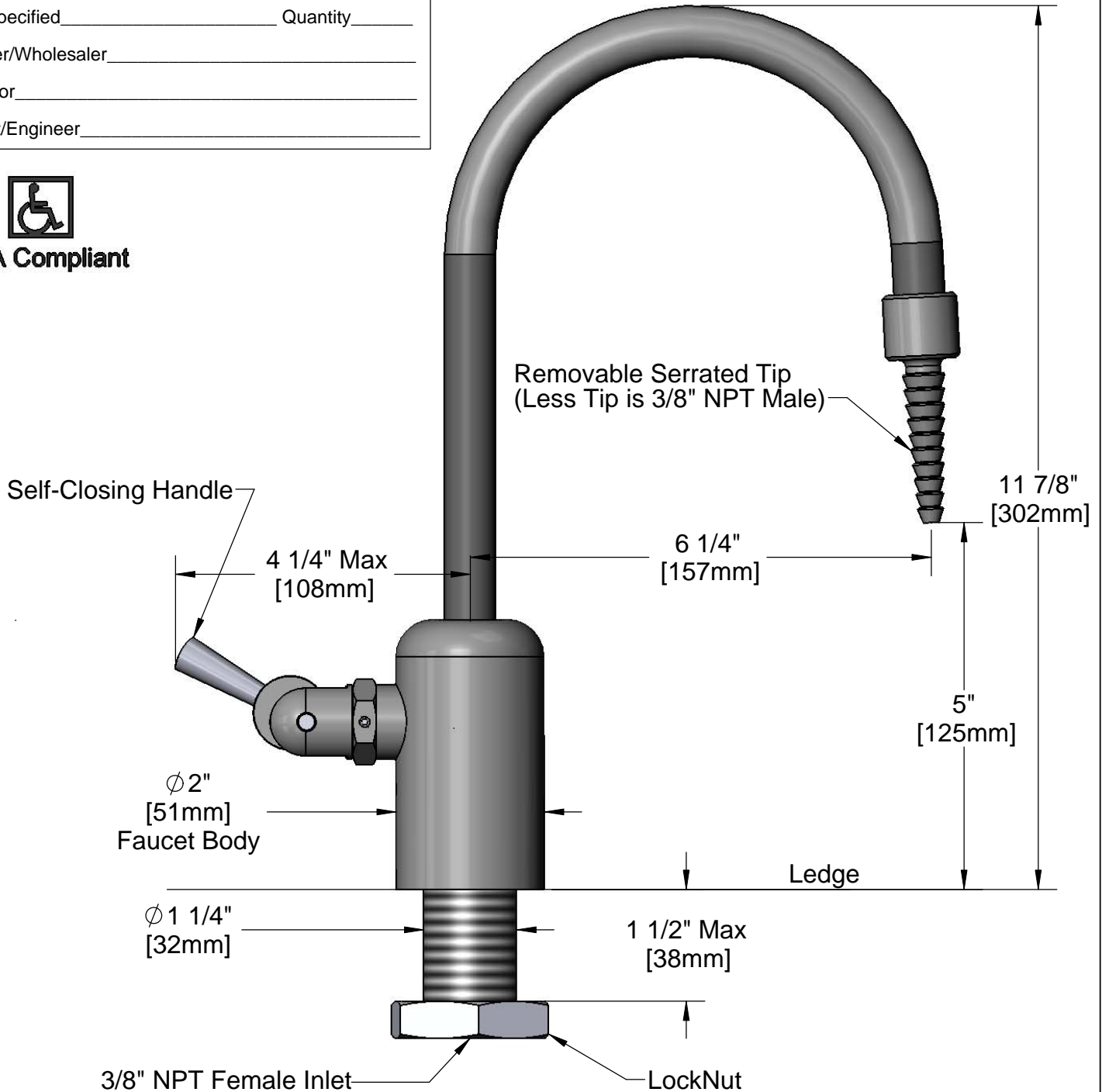
Customer/Wholesaler \_\_\_\_\_

Contractor \_\_\_\_\_

Architect/Engineer \_\_\_\_\_



**ADA Compliant**



Product Specifications:  
Gray PVC Single Ledge Faucet w/ Rigid Gooseneck,  
Serrated Tip Outlet, & 3/8" NPT Female Inlet for  
Distilled or Deionized Water Applications  
w/ Self-Closing Handle

Drawn <b>JRM</b>	Checked <b>DMH</b>	Approved <b>JHB</b>
Scale: <b>1:2</b>		Date: <b>07/08/09</b>



# T&S BRASS AND BRONZE WORKS, INC.

2 Saddleback Cove / P.O. Box 1088  
Travelers Rest, SC 29690



REG. #A2601  
ISO #9001

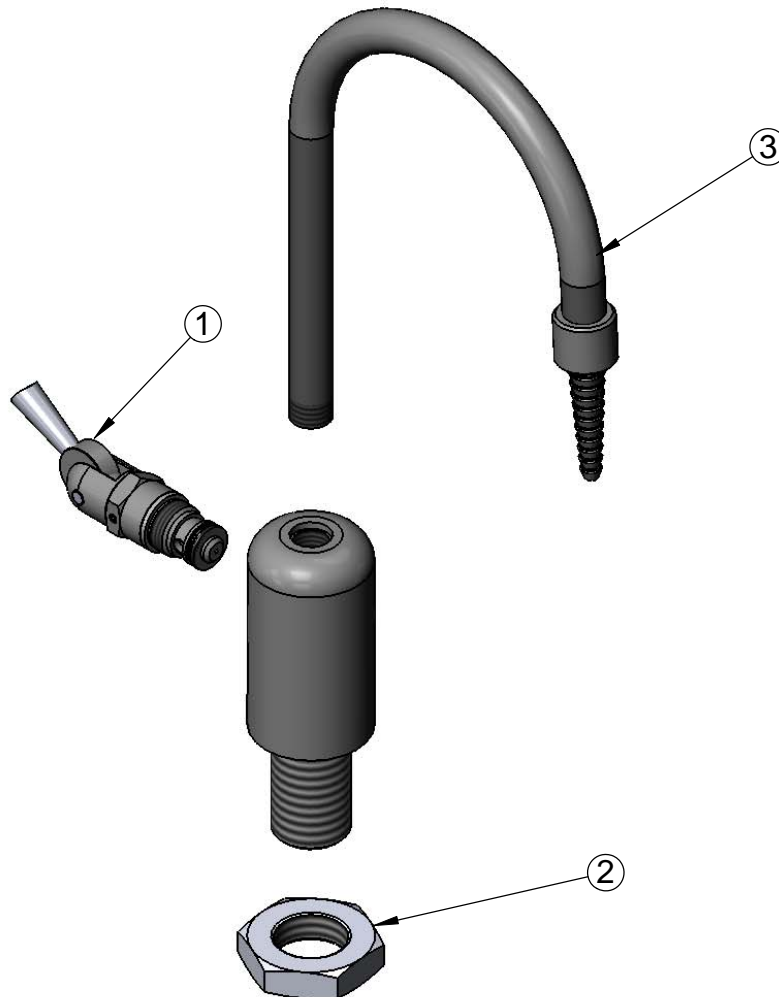
Model No.

**BL-9515-03**

Item No.

Travelers Rest, SC: 800-476-4103 Simi Valley, CA: 800-423-0150 Fax: 864-834-3518 www.tsbrass.com

ITEM NO.	SALES NO.	DESCRIPTION
1	138A	Bonnet Assembly, SC, PVC
2	000512-20	Nut, PVC Lock
3	BL-9541-02	PVC Gooseneck & Serrated Tip Asm



Product Specifications:

Gray PVC Single Ledge Faucet w/ Rigid Gooseneck, Serrated Tip Outlet, & 3/8" NPT Female Inlet for Distilled or Deionized Water Applications w/ Self-Closing Handle

Drawn

**JRM**

Checked

**DMH**

Approved

**JHB**

Scale:

**NTS**

Date:

**07/08/09**