



T&S BRASS AND BRONZE WORKS, INC.

2 Saddleback Cove / P.O. Box 1088
Travelers Rest, SC 29690



REG. #A2601
ISO #9001

Model No.
BL-9510-01

Item No.

Travelers Rest, SC: 800-476-4103 Simi Valley, CA: 800-423-0150 Fax: 864-834-3518 www.tsbrass.com

This Space for Architect/Engineer Approval

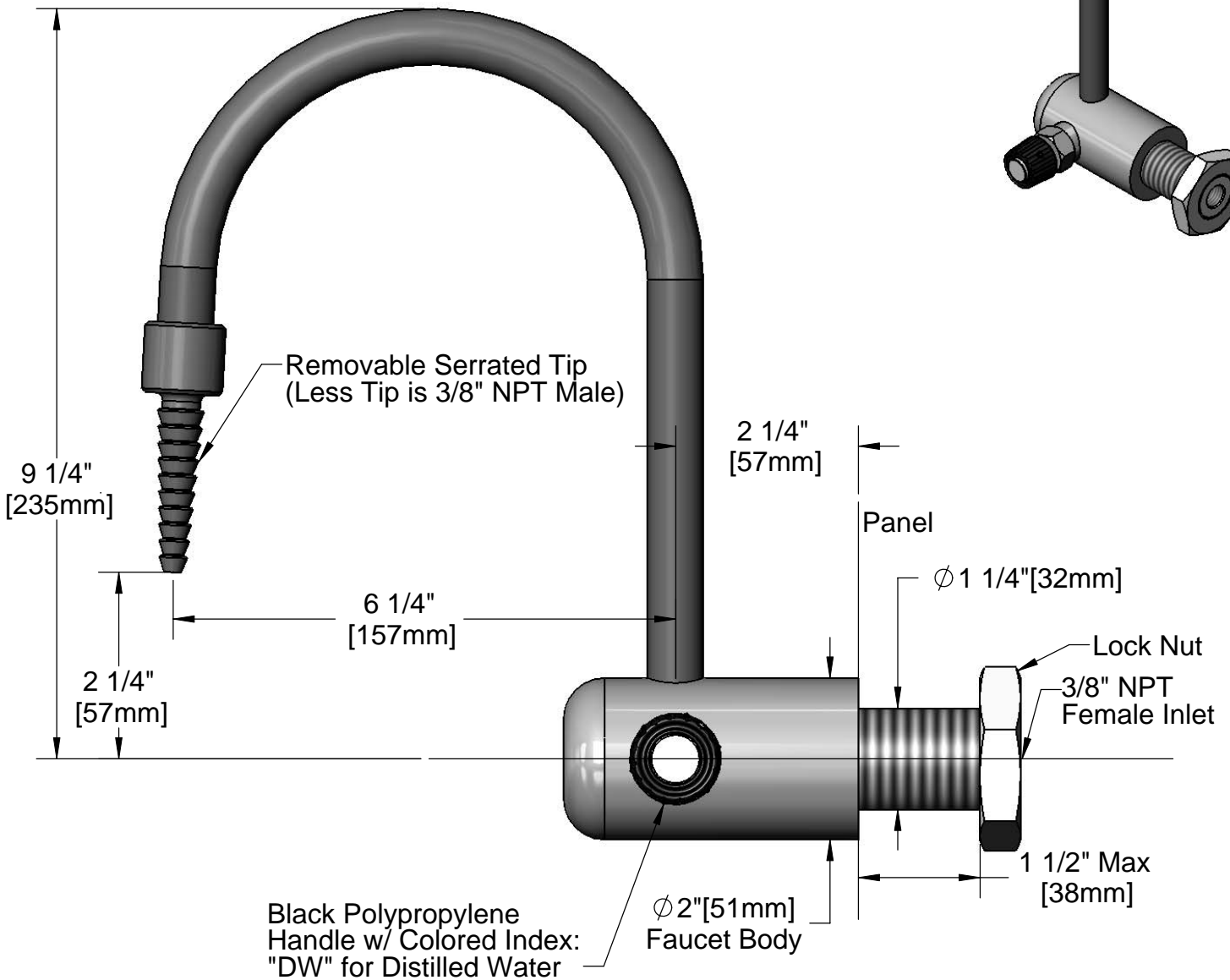
Job Name _____ Date _____

Model Specified _____ Quantity _____

Customer/Wholesaler _____

Contractor _____

Architect/Engineer _____



Product Specifications:

Gray PVC Single Panel Faucet w/ Rigid Gooseneck, Serrated Tip Outlet, Right Side Handle & 3/8" NPT Female Inlet for Distilled or Deionized Water Applications

| | | |
|----------------------|--------------------------|------------------------|
| Drawn JRM | Checked DMH | Approved JHB |
| Scale: 1:2 | Date: 07/02/09 | |



T&S BRASS AND BRONZE WORKS, INC.

2 Saddleback Cove / P.O. Box 1088
Travelers Rest, SC 29690



REG. #A2601
ISO #9001

Model No.

BL-9510-01

Item No.

Travelers Rest, SC: 800-476-4103 Simi Valley, CA: 800-423-0150 Fax: 864-834-3518 www.tsbrass.com

| ITEM NO. | SALES NO. | DESCRIPTION |
|----------|------------|----------------------------------|
| 1 | 001206-45 | Index, White Snap-In, DW |
| 2 | 001492-20 | Knob, PVC |
| 3 | 007549-40 | Bonnet Assembly, PVC |
| 4 | 000512-20 | Nut, PVC Lock |
| 5 | BL-9541-02 | PVC Gooseneck & Serrated Tip Asm |
| 6 | 000938-45 | Set Screw (1) |



Product Specifications:

Gray PVC Single Panel Faucet w/ Rigid Gooseneck,
Serrated Tip Outlet, Right Side Handle & 3/8" NPT
Female Inlet for Distilled or Deionized Water Applications

| | | |
|----------------------|-----------------------|--------------------------|
| Drawn JRM | Checked DMH | Approved JHB |
| Scale: NTS | | Date: 07/02/09 |