



T&S BRASS AND BRONZE WORKS, INC.

2 Saddleback Cove / P.O. Box 1088
Travelers Rest, SC 29690



REG. #A2601
ISO #9001

Model No.

BL-9506-01

Item No.

Travelers Rest, SC: 800-476-4103 Simi Valley, CA: 800-423-0150 Fax: 864-834-3518 www.tsbrass.com

This Space for Architect/Engineer Approval

Job Name _____ Date _____

Model Specified _____ Quantity _____

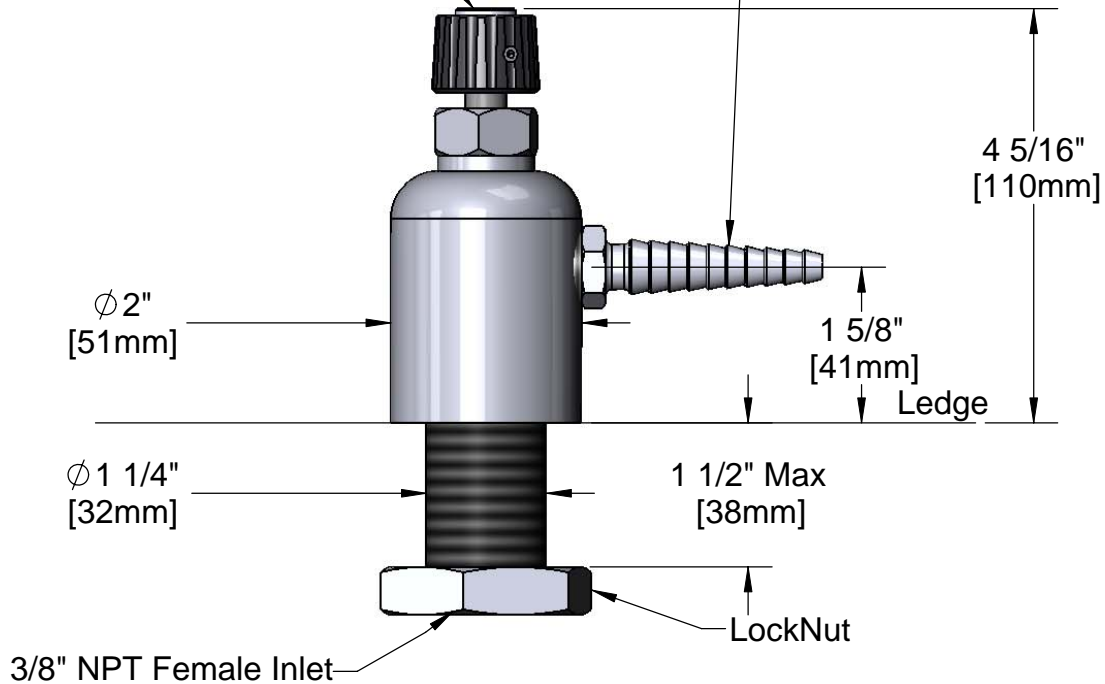
Customer/Wholesaler _____

Contractor _____

Architect/Engineer _____

Black Polypropylene
Handle w/ Colored Index:
"DW" for Distilled Water

Serrated Tip



Product Specifications:

Gray PVC Single Ledge Faucet w/ Serrated Tip Outlet,
& 3/8" NPT Female Inlet for
Distilled or Deionized Water Applications

Drawn
JRM

Checked
DHL

Approved
JHB

Scale:

1:2

Date:

08/31/09



T&S BRASS AND BRONZE WORKS, INC.

2 Saddleback Cove / P.O. Box 1088
Travelers Rest, SC 29690



REG. #A2601
ISO #9001

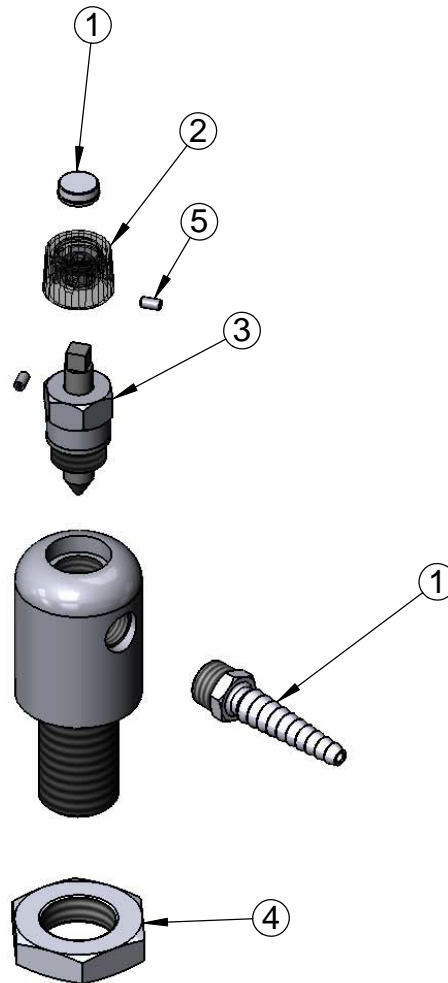
Model No.

BL-9506-01

Item No.

Travelers Rest, SC: 800-476-4103 Simi Valley, CA: 800-423-0150 Fax: 864-834-3518 www.tsbrass.com

ITEM NO.	SALES NO.	DESCRIPTION
1	001206-45	Index, Snapin White "DW"
2	001492-20	Knob, PVC
3	007549-40	Bonnet Assembly, PVC
4	000512-20	Nut, PVC Lock
5	000938-45	Set Screw (1)



Product Specifications:

Gray PVC Single Ledge Faucet w/ Serrated Tip Outlet,
& 3/8" NPT Female Inlet for
Distilled or Deionized Water Applications

Drawn

JRM

Checked

DHL

Approved

JHB

Scale:

NTS

Date:

08/31/09