



**T&S BRASS AND BRONZE WORKS, INC.**  
 2 Saddleback Cove / P.O. Box 1088  
 Travelers Rest, SC 29690

Model No.  
**BL-9000-09**

Item No.

Travelers Rest, SC: 800-476-4103 • Simi Valley, CA: 800-423-0150 • Fax: 864-834-3518 • www.tsbrass.com

This Space for Architect/Engineer Approval

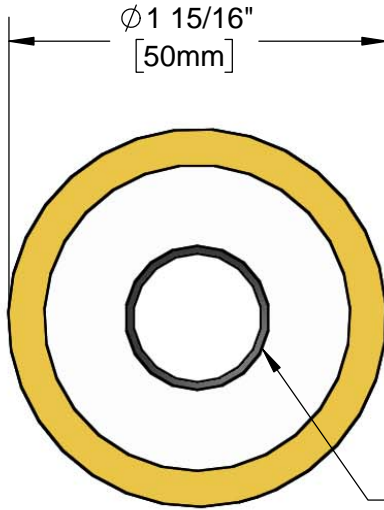
Job Name \_\_\_\_\_ Date \_\_\_\_\_

Model Specified \_\_\_\_\_ Quantity \_\_\_\_\_

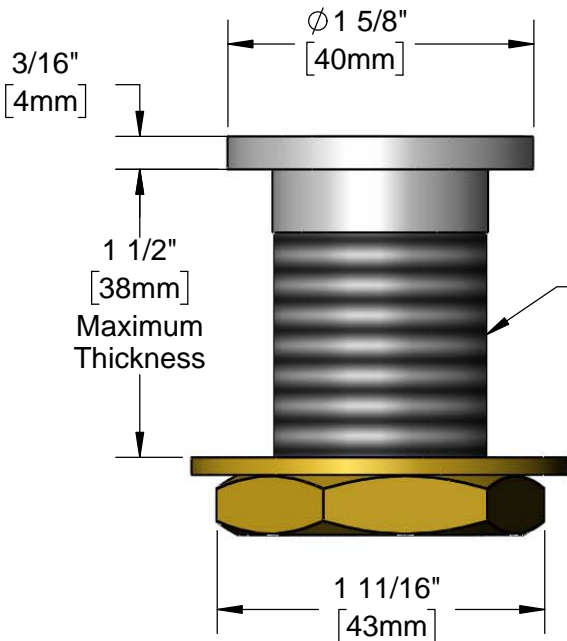
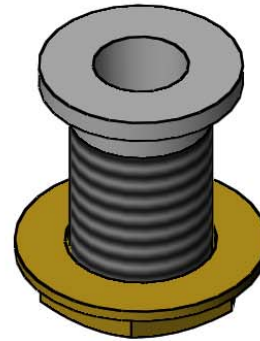
Customer/Wholesaler \_\_\_\_\_

Contractor \_\_\_\_\_

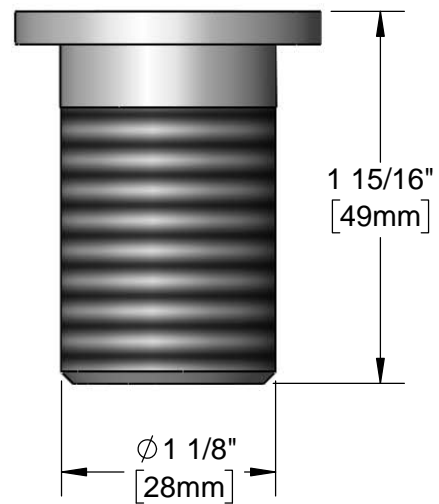
Architect/Engineer \_\_\_\_\_



Interior Is Tapered  
 To Receive BL-  
 9000-01 and BL-  
 9000-04 Adapter  
 With Rods



Chrome  
 Plated Brass



Product Specifications:  
 Chrome Plated Brass Flush Plate With Lock Nut and Washer, For Use With  
 BL-9000 Series Rods

Product Compliance:



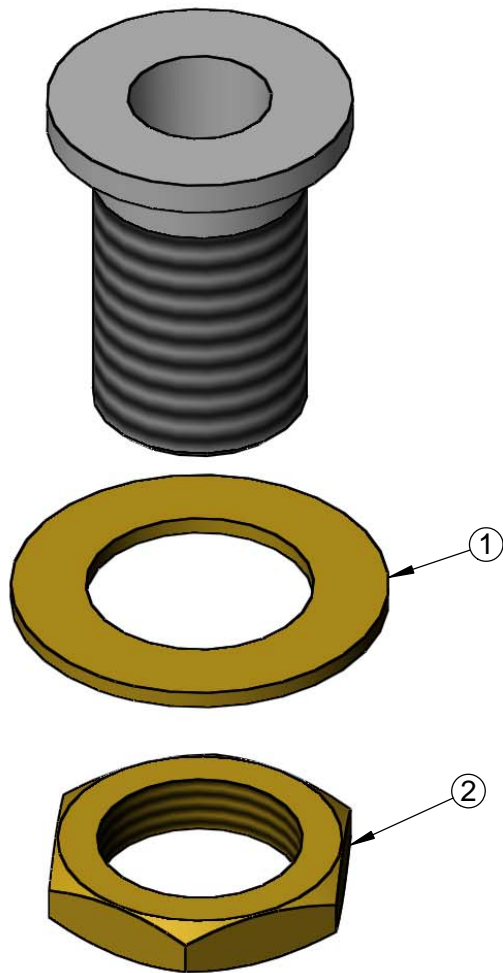
**T&S BRASS AND BRONZE WORKS, INC.**  
2 Saddleback Cove / P.O. Box 1088  
Travelers Rest, SC 29690

Model No.  
**BL-9000-09**

Item No.

Travelers Rest, SC: 800-476-4103 • Simi Valley, CA: 800-423-0150 • Fax: 864-834-3518 • www.tsbrass.com

| ITEM NO. | SALES NO. | DESCRIPTION |
|----------|-----------|-------------|
| 2        | 000965-45 | Lock Nut    |
| 1        | 002290-45 | Lock Washer |



Product Specifications:  
Chrome Plated Brass Flush Plate With Lock Nut and Washer, For Use  
With BL-9000 Series Rods

Product Compliance: