



T&S BRASS AND BRONZE WORKS, INC.
 2 Saddleback Cove / P.O. Box 1088
 Travelers Rest, SC 29690

Model No.

BL-6050-07

Item No.

Travelers Rest, SC: 800-476-4103 • Simi Valley, CA: 800-423-0150 • Fax: 864-834-3518 • www.tsbrass.com

This Space for Architect/Engineer Approval

Job Name _____ Date _____

Model Specified _____ Quantity _____

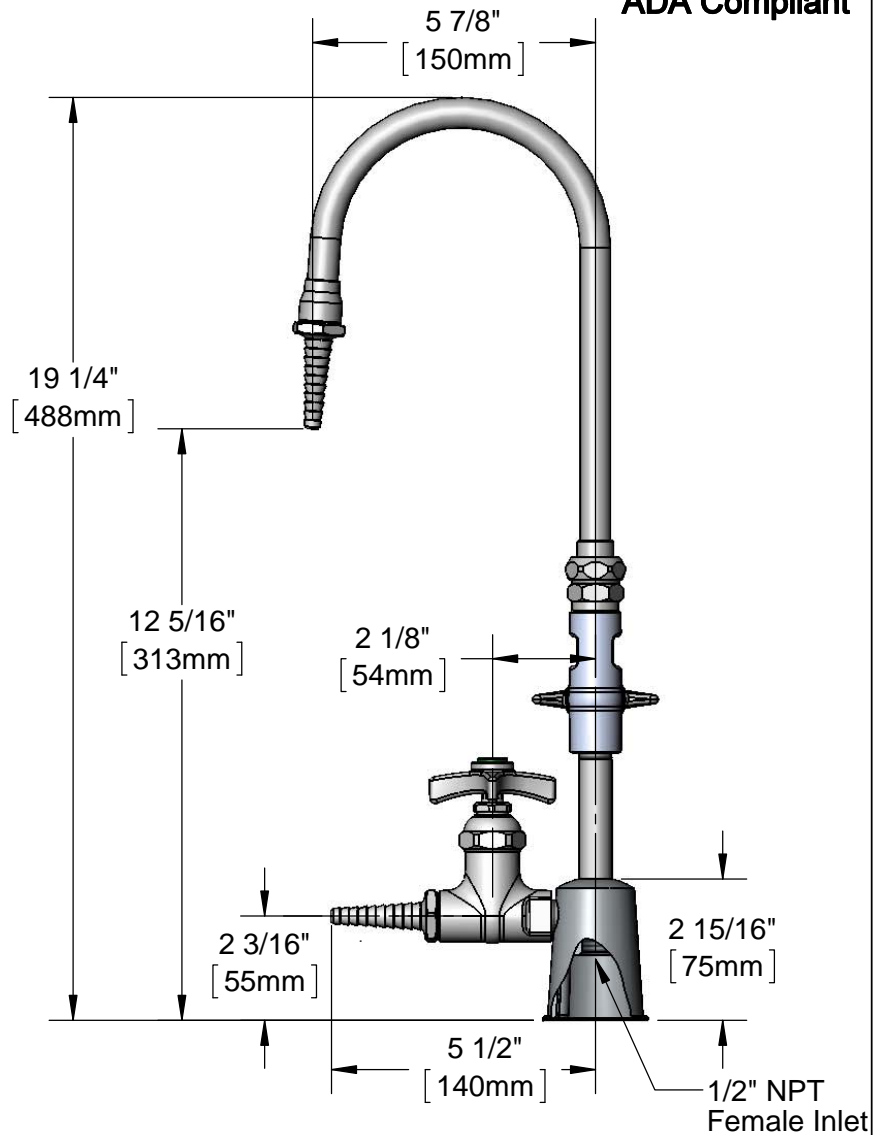
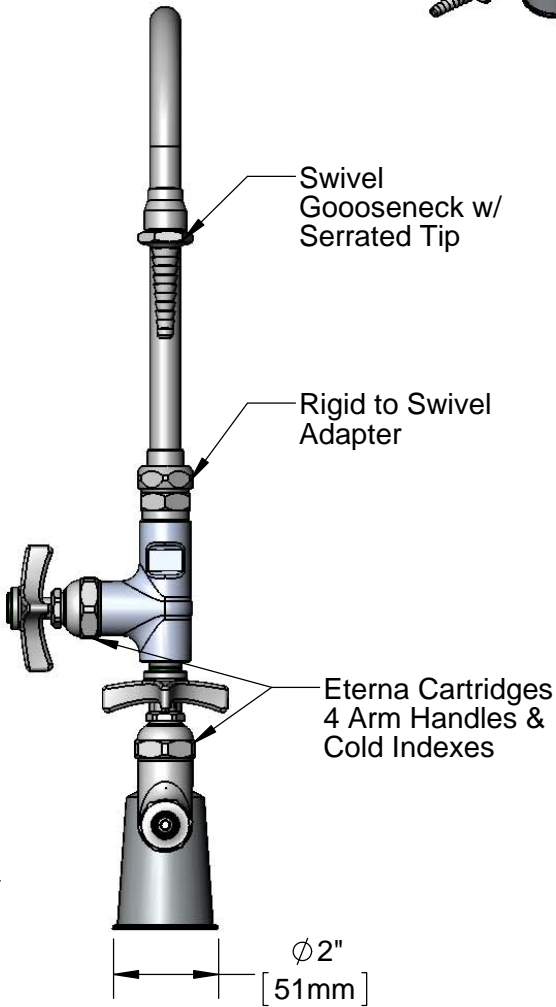
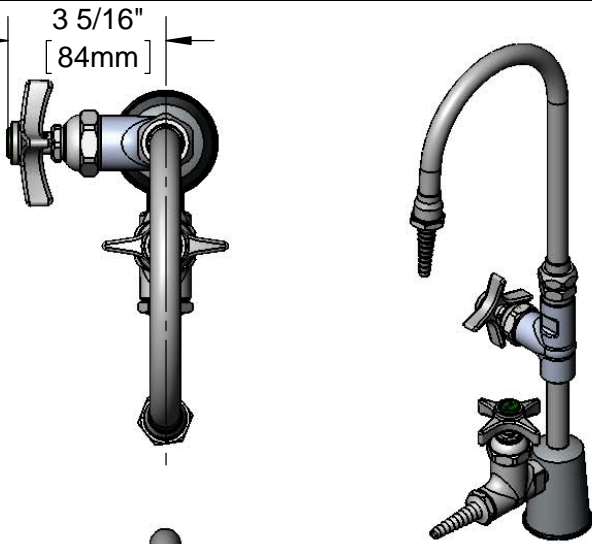
Customer/Wholesaler _____

Contractor _____

Architect/Engineer _____

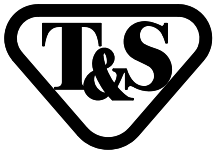


ADA Compliant



Product Specifications:
 Multi-Water Fixture w/ Swivel Gooseneck, Water Stop(s) & Serrated Tips

Product Compliance:
 ASME A112.18.1 / CSA B125.1
 NSF 61 - Section 9
 NSF 372 (Low Lead Content)
 ANSI A117.1 (ADA)



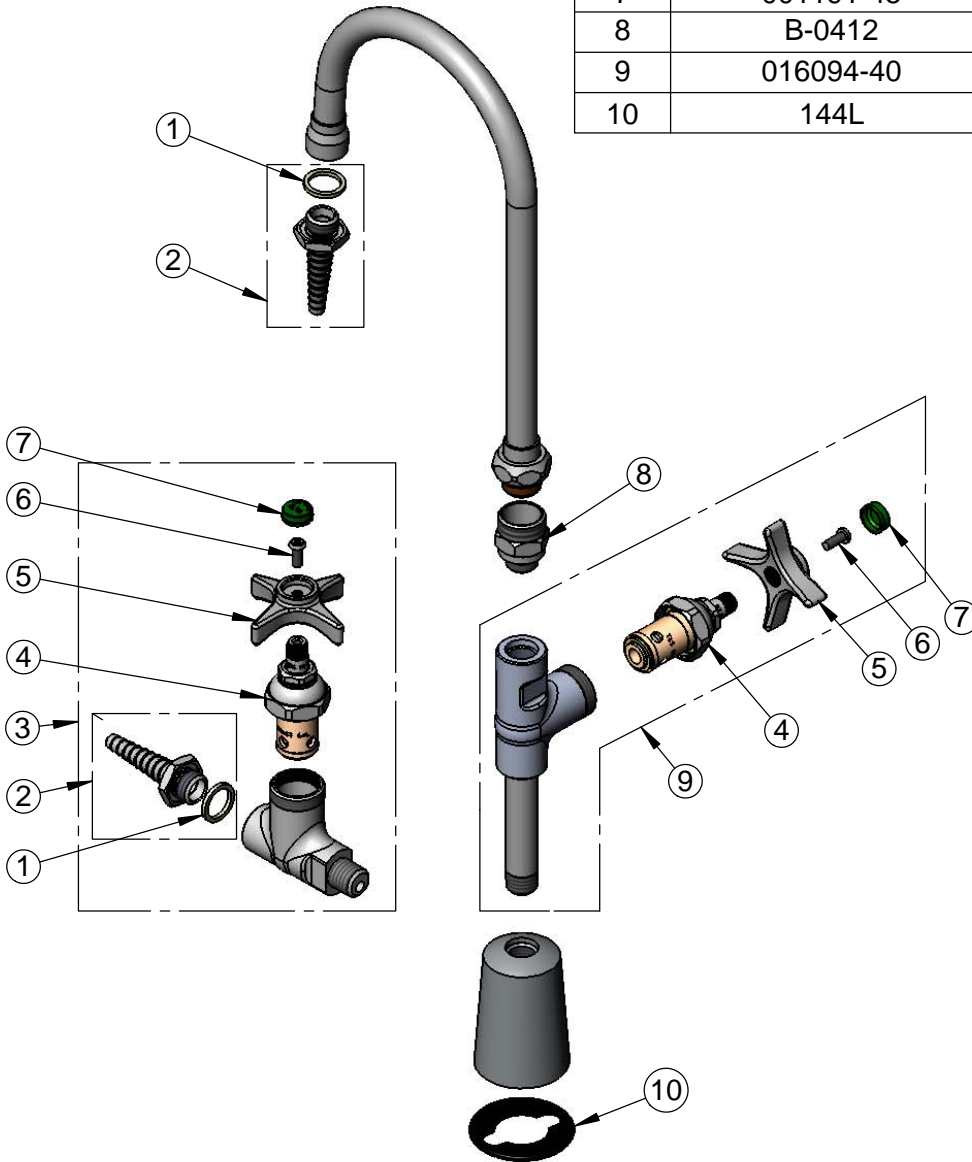
T&S BRASS AND BRONZE WORKS, INC.
 2 Saddleback Cove / P.O. Box 1088
 Travelers Rest, SC 29690

Model No.
BL-6050-07

Item No.

Travelers Rest, SC: 800-476-4103 • Simi Valley, CA: 800-423-0150 • Fax: 864-834-3518 • www.tsbrass.com

ITEM NO.	SALES NO.	DESCRIPTION
1	001051-45	Washer
2	BL-5550-04	Serrated Tip
3	BL-4500-02	Straight Stop, Water
4	005960-40	Eterna Cartridge, RTC
5	000059-40	4-Arm Lab Handle
6	000925-45	Lab Handle Screw
7	001191-45	Green Index - CW
8	B-0412	Rigid to Swivel Adapter
9	016094-40	Straight Stop Assembly
10	144L	Black Plastic Gasket



Product Specifications:
 Multi-Water Fixture w/ Swivel Gooseneck, Water Stop(s) & Serrated Tips

Product Compliance:
 ASME A112.18.1 / CSA B125.1
 NSF 61 - Section 9
 NSF 372 (Low Lead Content)
 ANSI A117.1 (ADA)