



T&S BRASS AND BRONZE WORKS, INC.

2 Saddleback Cove / P.O. Box 1088
Travelers Rest, SC 29690

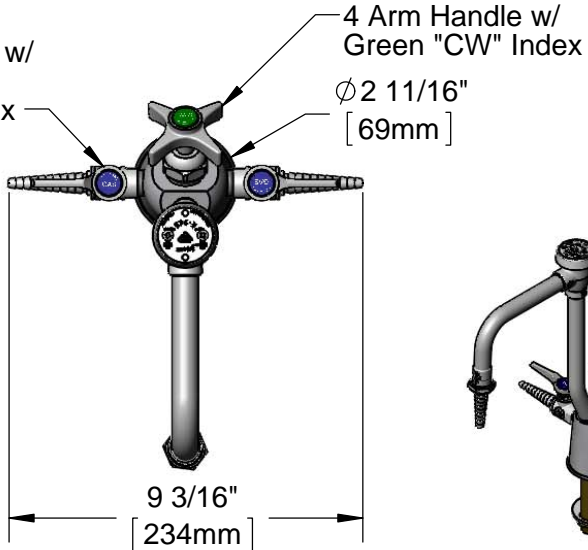
Model No.

BL-6005-01

Item No.

Travelers Rest, SC: 800-476-4103 • Simi Valley, CA: 800-423-0150 • Fax: 864-834-3518 • www.tsbrass.com

Ball Valve
Hose Cock w/
Dark Blue
"GAS" Index



This Space for Architect/Engineer Approval

Job Name _____ Date _____

Model Specified _____ Quantity _____

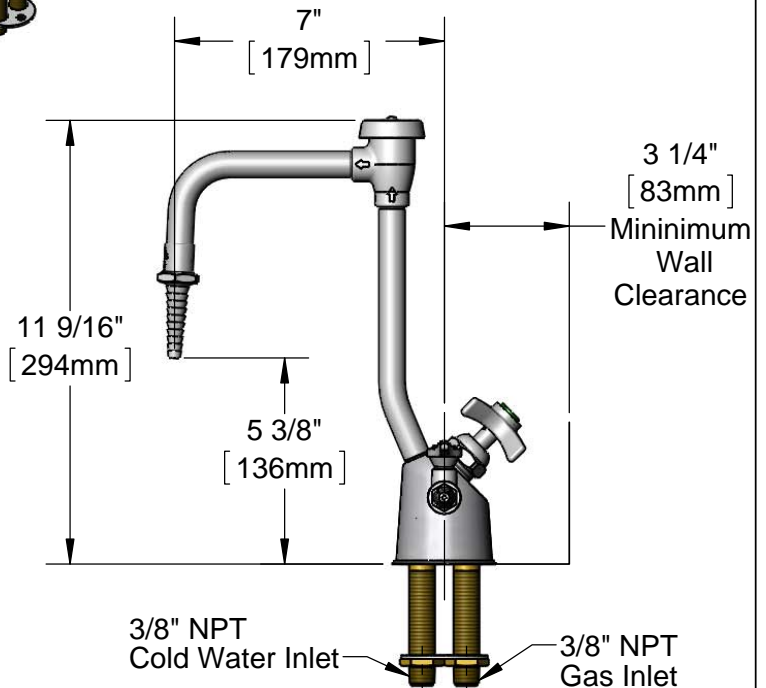
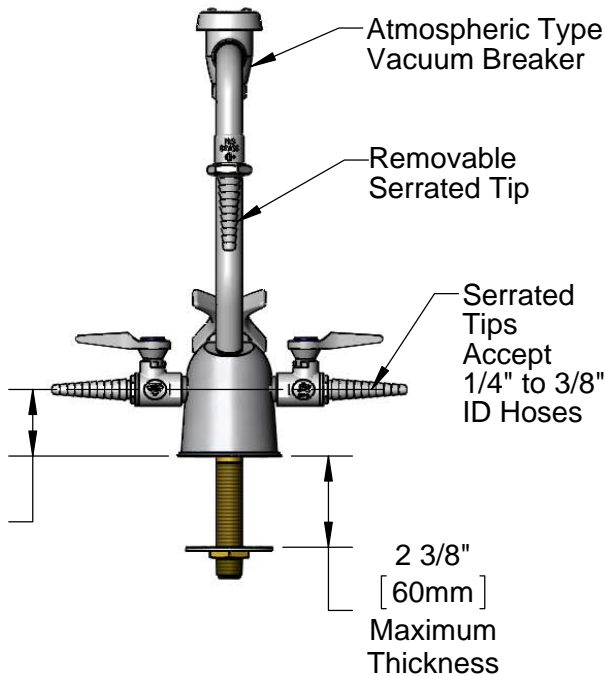
Customer/Wholesaler _____

Contractor _____

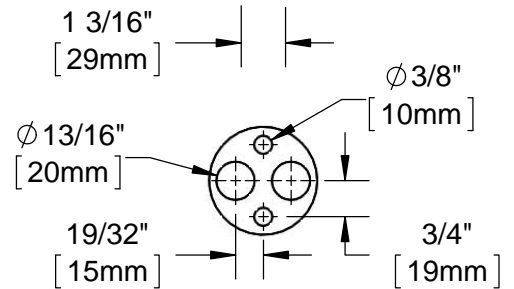
Architect/Engineer _____



ADA Compliant



3/8" NPT Cold Water Inlet 3/8" NPT Gas Inlet



Mounting Washer / Rough-In Detail

Notes:

- 1. Natural Gas Pressure: 0.5 PSIG Max.
(For Natural Gas above 0.5 PSIG or Oxygen and Specialty Gases, use BL-4010-01 Gas Cock.)

Product Specifications:

Combination Gas & Water Fixture w/ (2) Ball Valve Gas Cocks, Vacuum Breaker, 7" Rigid Nozzle w/ Serrated Tip & 3/8" NPT Male Inlets

Product Compliance:

ASME A112.18.1 / CSA B125.1
NSF 61 - Section 9
NSF 372 (Low Lead Content)
ANSI Z21.15a / CSA 9.1a (Gas Valves)
ANSI A117.1 (ADA)
ASSE 1001 (VB)

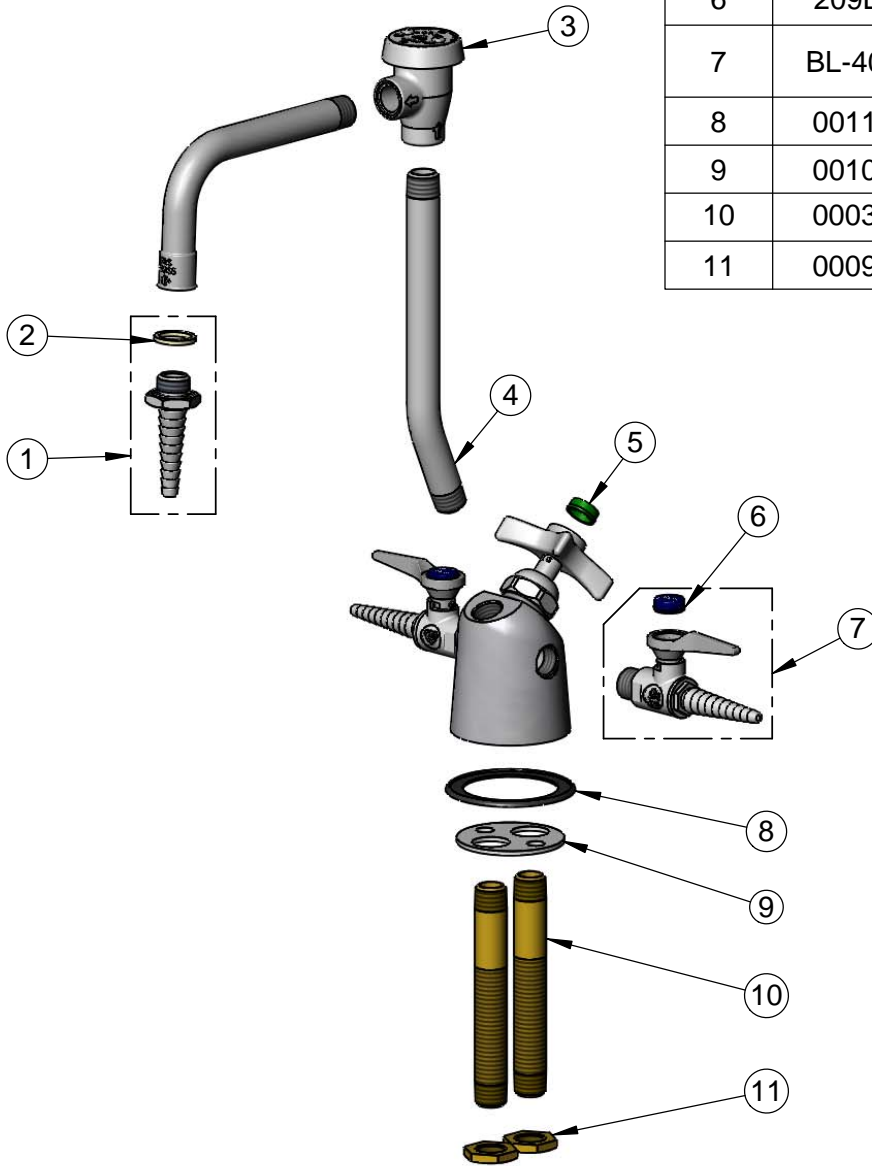


T&S BRASS AND BRONZE WORKS, INC.
 2 Saddleback Cove / P.O. Box 1088
 Travelers Rest, SC 29690

Model No.
BL-6005-01
 Item No.

Travelers Rest, SC: 800-476-4103 • Simi Valley, CA: 800-423-0150 • Fax: 864-834-3518 • www.tsbrass.com

ITEM NO.	SALES NO.	DESCRIPTION
1	B-0198	Serrated Tip
2	001051-45	Washer
3	B-0968	Vacuum Breaker Assembly, 3/8"
4	001522-40	Riser, BL-6005-01, 7"
5	001191-45	Green Index - CW
6	209L-GAS	Dark Blue GAS Snap-In Index
7	BL-4000-01	Ball Valve Hose Cock w/ GAS, AIR & VAC Indexes
8	001160-45	Gasket, BL-6000
9	001004-45	Washer, Turret BL-6000, Brass
10	000381-20	Nipple, Supply, 3/8" Pipe, Brass
11	000969-45	Nut, Lock, 3/8" NPSL, Brass



Product Specifications:
 Combination Gas & Water Fixture w/ (2) Ball Valve Gas Cocks,
 Vacuum Breaker, 7" Rigid Nozzle w/ Serrated Tip &
 3/8" NPT Male Inlets

Product Compliance:
 ASME A112.18.1 / CSA B125.1
 NSF 61 - Section 9
 NSF 372 (Low Lead Content)
 ANSI Z21.15a / CSA 9.1a (Gas Valves)
 ANSI A117.1 (ADA)
 ASSE 1001 (VB)