



T&S BRASS AND BRONZE WORKS, INC.
 2 Saddleback Cove / P.O. Box 1088
 Travelers Rest, SC 29690

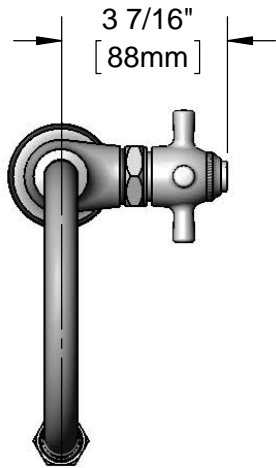
Model No.
BL-5850-01TL

Item No.

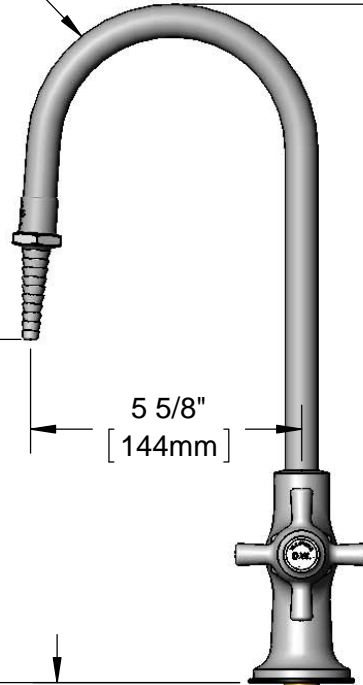
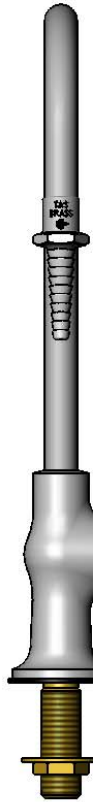
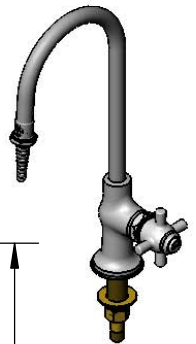
Travelers Rest, SC: 800-476-4103 • Simi Valley, CA: 800-423-0150 • Fax: 864-834-3518 • www.tsbrass.com

This Space for Architect/Engineer Approval

Job Name _____ Date _____
 Model Specified _____ Quantity _____
 Customer/Wholesaler _____
 Contractor _____
 Architect/Engineer _____



Rigid Gooseneck w/
 B-0198
 Serrated Tip Outlet



14 1/8"
 [359mm]

5 5/8"
 [144mm]

7 1/8"
 [182mm]

4 1/16"
 [103mm]

Mounting
 Surface

Fast Self
 Closing Cartridge
 w/ White "DW" Index

Ø 2" [51mm]
 Flange w/
 Black Plastic Deck
 Gasket & 1/2" NPSM
 Male Inlet

1 9/16"
 [40mm]
 Maximum
 Thickness

150A
 Optional Tailpiece & Nut
 for 1/4" NPT Connection
 (Included)

Rough-In Requirement:
 Ø 1" [25mm] Mounting Hole

Product Specifications:
 Single Hole Single Temperature Tin-Lined Laboratory Faucet, Fast Self Closing
 Cartridge, Rigid Gooseneck, Serrated Tip & 1/2" NPSM Male Inlet

Product Compliance:
 ASME A112.18.1 / CSA B125.1
 NSF 61 - Section 9
 NSF 372 (Low Lead Content)



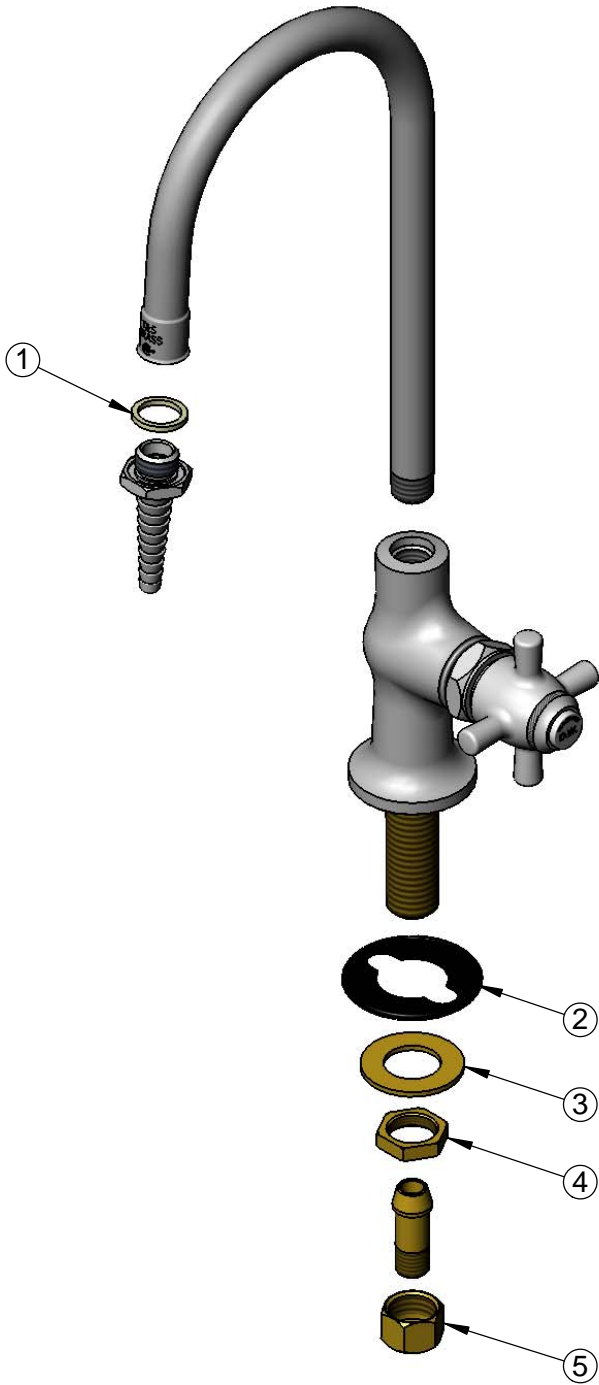
T&S BRASS AND BRONZE WORKS, INC.
 2 Saddleback Cove / P.O. Box 1088
 Travelers Rest, SC 29690

Model No.
BL-5850-01TL

Item No.

Travelers Rest, SC: 800-476-4103 • Simi Valley, CA: 800-423-0150 • Fax: 864-834-3518 • www.tsbrass.com

ITEM NO.	SALES NO.	DESCRIPTION
1	001051-45	Washer
2	144L	Black Plastic Deck Gasket
3	000999-45	Brass Lock Washer
4	002954-45	Shank Lock Nut
5	000958-20	Coupling Nut



Product Specifications:
 Single Hole Single Temperature Tin-Lined Laboratory Faucet, Fast Self Closing Cartridge, Rigid Gooseneck, Serrated Tip & 1/2" NPSM Male Inlet

Product Compliance:
 ASME A112.18.1 / CSA B125.1
 NSF 61 - Section 9
 NSF 372 (Low Lead Content)