



T&S BRASS AND BRONZE WORKS, INC.

2 Saddleback Cove / P.O. Box 1088
Travelers Rest, SC 29690

Model No.

BL-5775-08

Item No.

Travelers Rest, SC: 800-476-4103 • Simi Valley, CA: 800-423-0150 • Fax: 864-834-3518 • www.tsbrass.com

This Space for Architect/Engineer Approval

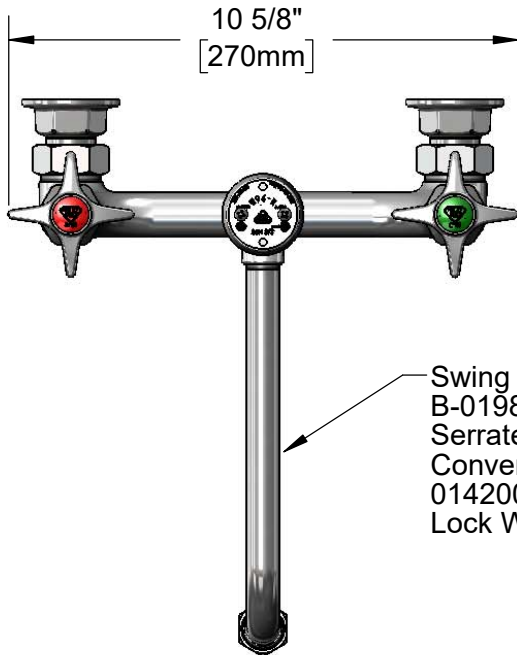
Job Name _____ Date _____

Model Specified _____ Quantity _____

Customer/Wholesaler _____

Contractor _____

Architect/Engineer _____



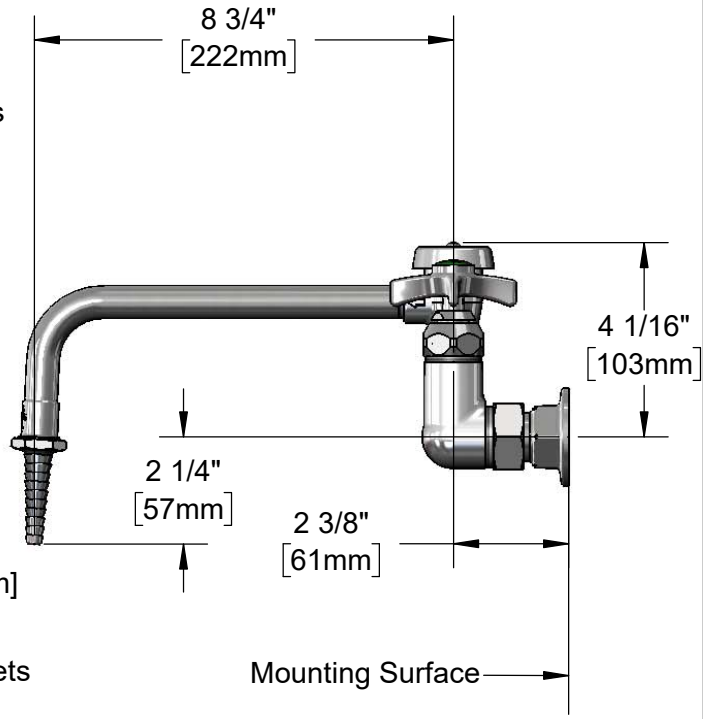
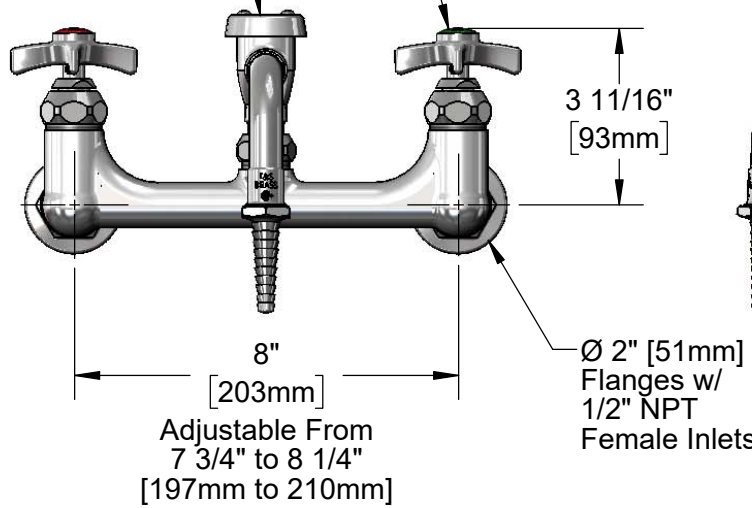

ADA Compliant

Swing Nozzle w/
B-0198
Serrated Tip Outlet.
Converts to Rigid w/
014200-45
Lock Washer (Included).



B-0968
3/8" NPT
Vacuum Breaker

Quarter-Turn Eterna
Cartridges w/
Spring Checks &
4-Arm Handles w/
Color Coded Indexes



Product Specifications:
8" Wall Mount Mixing Faucet, Quarter-Turn Eterna Cartridges w/ Spring Checks, 8 3/4" Swing Nozzle w/ Serrated Tip, Vacuum Breaker, 4-Arm Handles & 1/2" NPT Female Inlets

Product Compliance:
ASME A112.18.1 / CSA B125.1
NSF 61 - Section 9
NSF 372 (Low Lead Content)
ANSI A117.1 (ADA)
ASSE 1001 (VB)

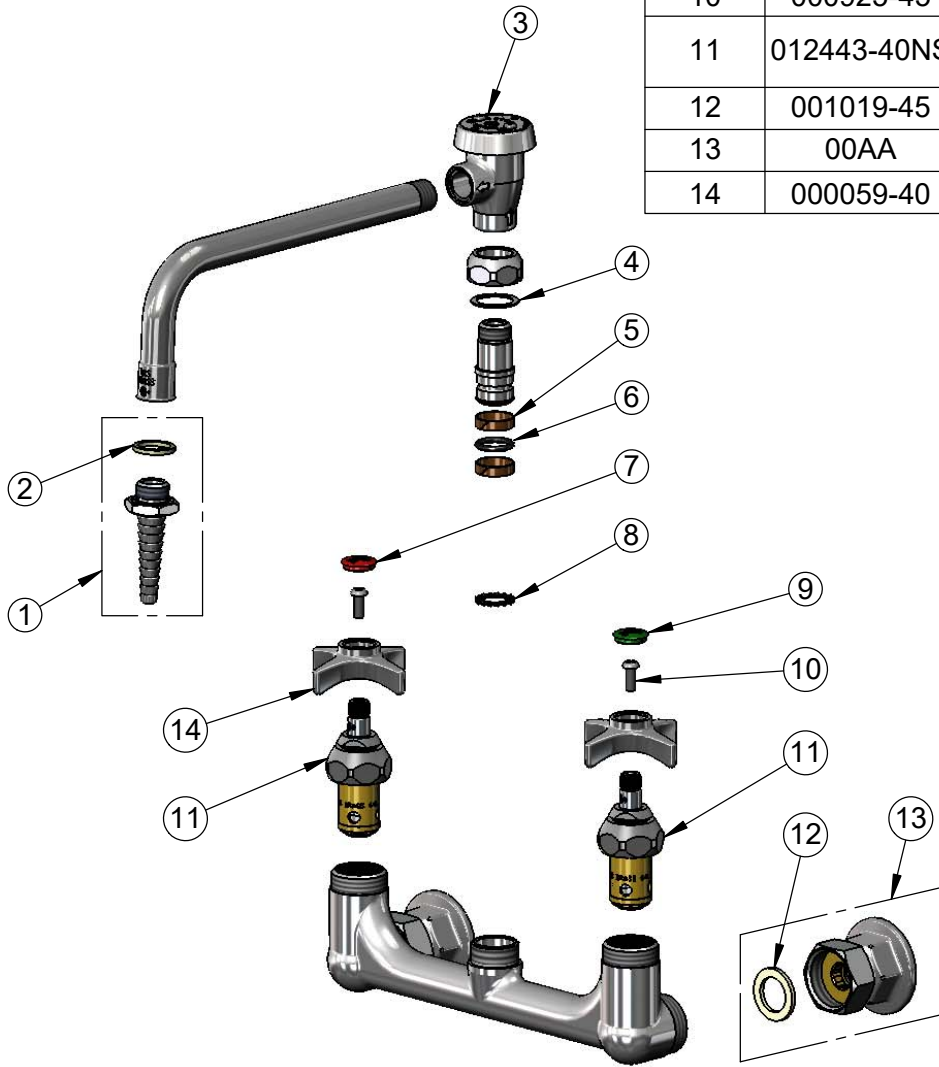


T&S BRASS AND BRONZE WORKS, INC.
 2 Saddleback Cove / P.O. Box 1088
 Travelers Rest, SC 29690

Model No.
BL-5775-08
 Item No.

Travelers Rest, SC: 800-476-4103 • Simi Valley, CA: 800-423-0150 • Fax: 864-834-3518 • www.tsbrass.com

ITEM NO.	SALES NO.	DESCRIPTION
1	B-0198	Serrated Tip
2	001051-45	Washer
3	B-0968	3/8" NPT Vacuum Breaker
4	009538-45	Swivel Washer
5	011429-45	Swivel Sleeves (2)
6	001074-45	O-Ring
7	019736-45	Red "HW" Lab Button Index
8	014200-45	Star Washer, Anti-Rotation
9	001191-45NS	Green "CW" Lab Button Index
10	000925-45	Lab Handle Screw
11	012443-40NS	Quarter-Turn Eterna Cartridge, RTC w/ Spring Check
12	001019-45	Coupling Nut Washer
13	00AA	1/2" NPT Female Eccentric Flange
14	000059-40	4-Arm Lab Handle



Product Specifications:
 8" Wall Mount Mixing Faucet, Quarter-Turn Eterna Cartridges w/ Spring Checks, 8 3/4" Swing Nozzle w/ Serrated Tip, Vacuum Breaker, 4-Arm Handles & 1/2" NPT Female Inlets

Product Compliance:
 ASME A112.18.1 / CSA B125.1
 NSF 61 - Section 9
 NSF 372 (Low Lead Content)
 ANSI A117.1 (ADA)
 ASSE 1001 (VB)