



T&S BRASS AND BRONZE WORKS, INC.

2 Saddleback Cove / P.O. Box 1088
Travelers Rest, SC 29690

Model No.

BL-5740-LN

Item No.

Travelers Rest, SC: 800-476-4103 • Simi Valley, CA: 800-423-0150 • Fax: 864-834-3518 • www.tsbrass.com

This Space for Architect/Engineer Approval

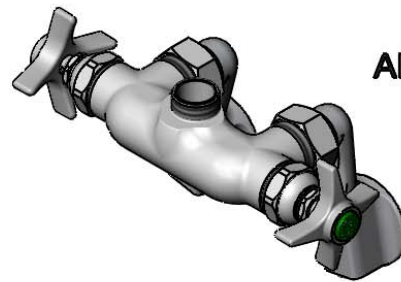
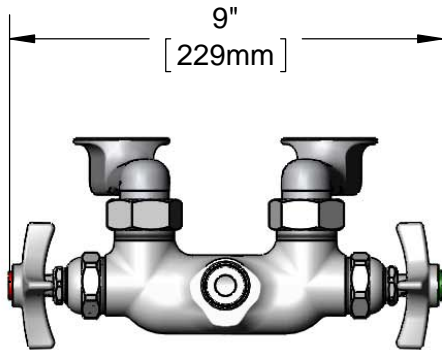
Job Name _____ Date _____

Model Specified _____ Quantity _____

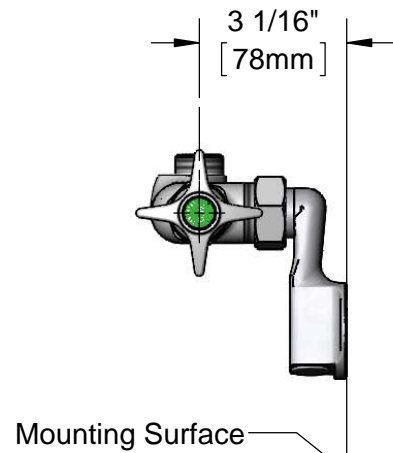
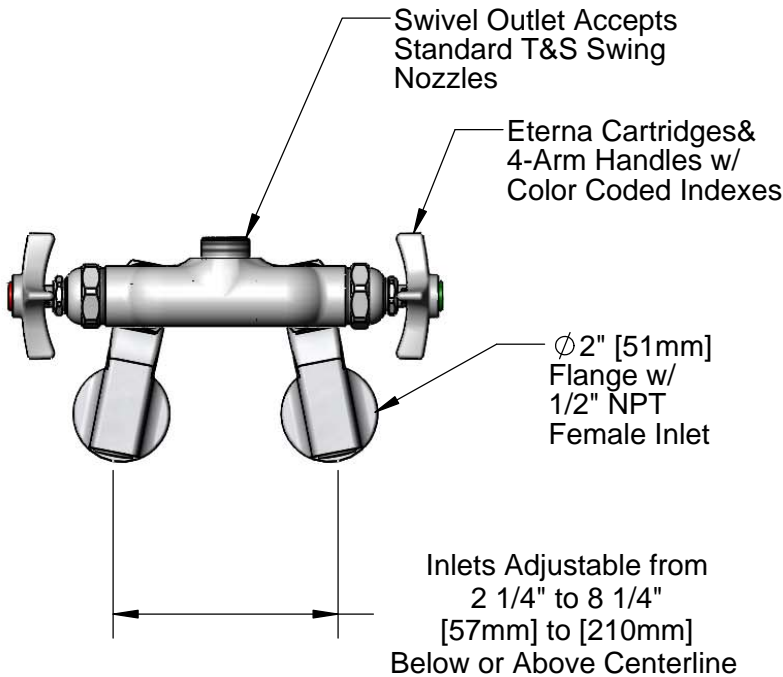
Customer/Wholesaler _____

Contractor _____

Architect/Engineer _____



ADA Compliant



Product Specifications:
Wall Mount Mixing Faucet, Eterna Cartridges, 4-Arm Lab Handles and Adjustable Inlets, Less Nozzle

Product Compliance:
ASME A112.18.1 / CSA B125.1
NSF 61 - Section 9
NSF 372 (Low Lead Content)
ANSI A117.1 (ADA)



T&S BRASS AND BRONZE WORKS, INC.

2 Saddleback Cove / P.O. Box 1088
 Travelers Rest, SC 29690

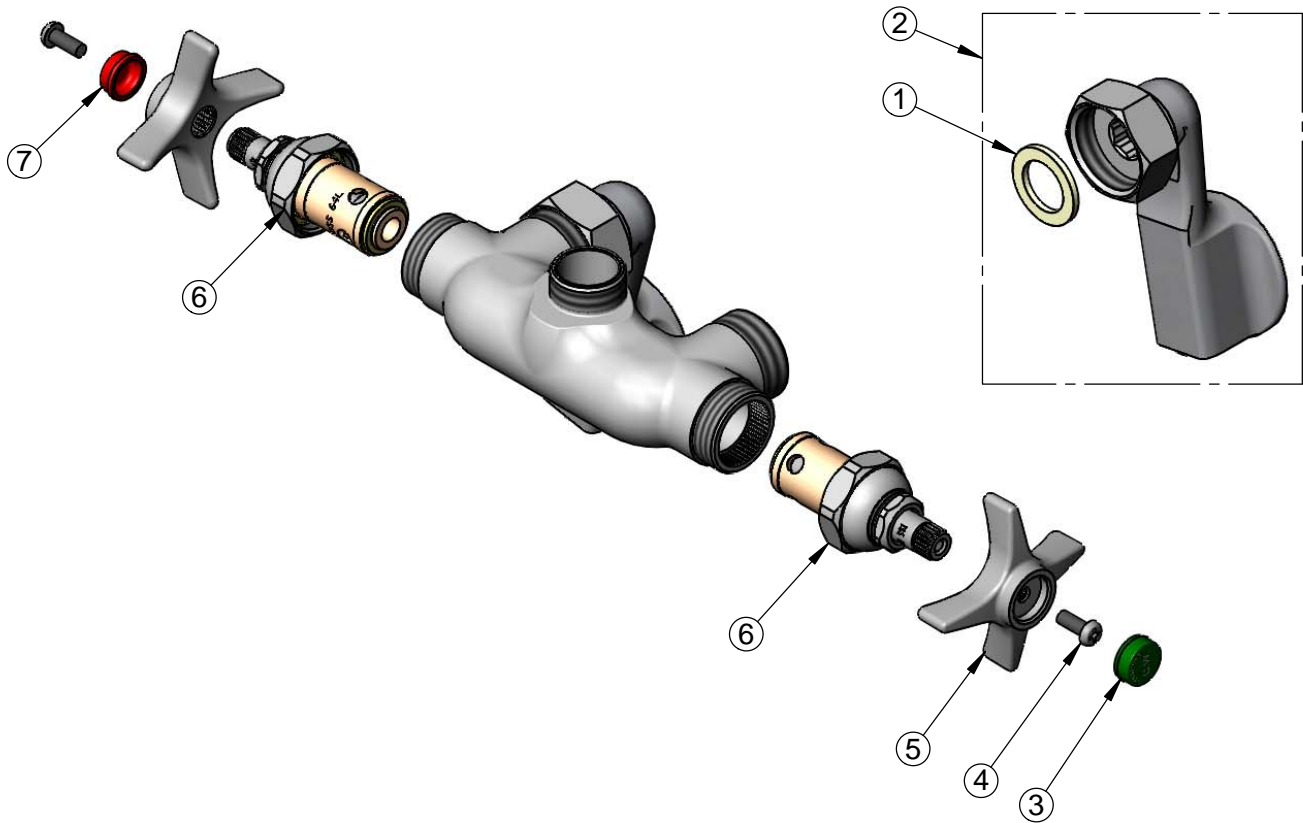
Model No.

BL-5740-LN

Item No.

Travelers Rest, SC: 800-476-4103 • Simi Valley, CA: 800-423-0150 • Fax: 864-834-3518 • www.tsbrass.com

| ITEM NO. | SALES NO. | DESCRIPTION |
|----------|-----------|---------------------------------------|
| 1 | 001019-45 | Coupling Nut Washer |
| 2 | 00GG | Flange Assembly, 1/2" NPT, Adjustable |
| 3 | 001191-45 | Green Index - CW |
| 4 | 000925-45 | Lab Handle Screw |
| 5 | 000059-40 | 4-Arm Lab Handle |
| 6 | 005960-40 | Eterna Cartridge, RTC |
| 7 | 001194-45 | Red Index - HW |



Product Specifications:
 Wall Mount Mixing Faucet, Eterna Cartridges, 4-Arm Lab Handles and Adjustable Inlets, Less Nozzle

Product Compliance:
 ASME A112.18.1 / CSA B125.1
 NSF 61 - Section 9
 NSF 372 (Low Lead Content)
 ANSI A117.1 (ADA)