

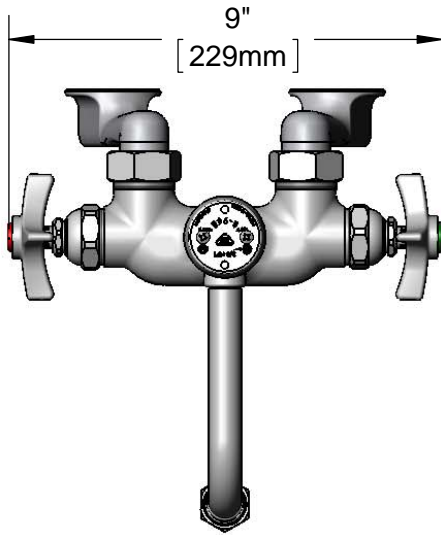


T&S BRASS AND BRONZE WORKS, INC.
 2 Saddleback Cove / P.O. Box 1088
 Travelers Rest, SC 29690

Model No.
BL-5740-08

Item No.

Travelers Rest, SC: 800-476-4103 • Simi Valley, CA: 800-423-0150 • Fax: 864-834-3518 • www.tsbrass.com



This Space for Architect/Engineer Approval

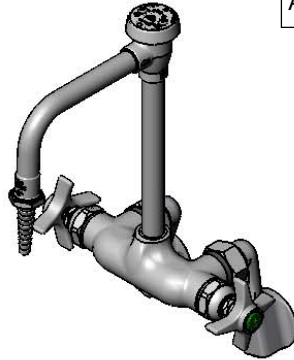
Job Name _____ Date _____

Model Specified _____ Quantity _____

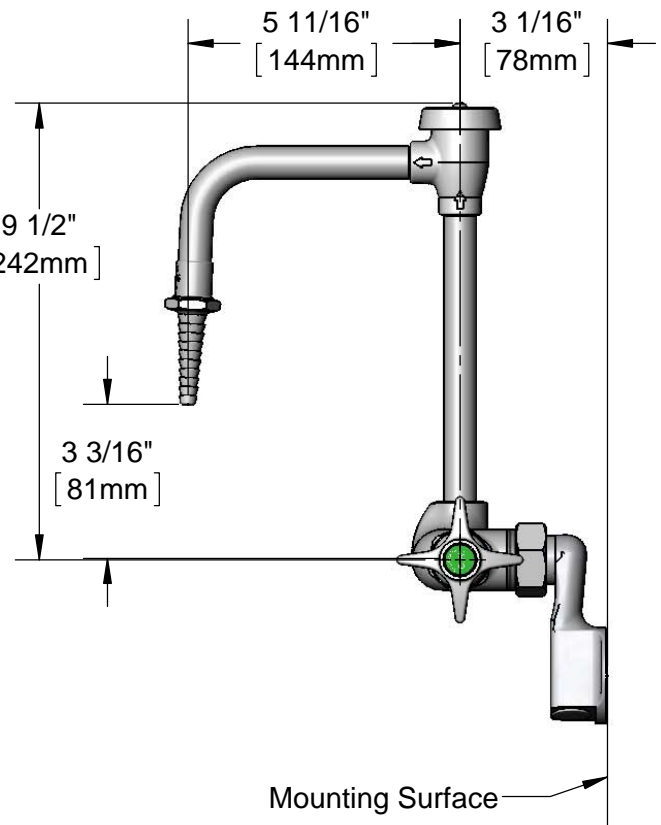
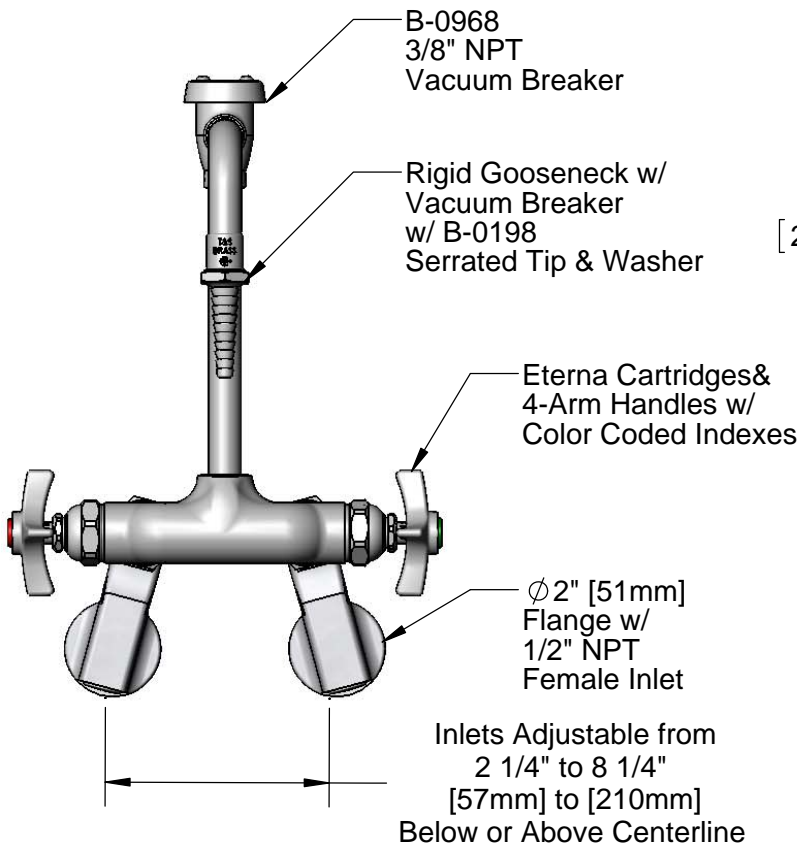
Customer/Wholesaler _____

Contractor _____

Architect/Engineer _____



ADA Compliant



Product Specifications:
 Wall Mount Mixing Faucet, Eterna Cartridges, Rigid Gooseneck w/ Serrated Tip, Vacuum Breaker, 4-Arm Lab Handles and Adjustable Inlets

Product Compliance:
 ASME A112.18.1 / CSA B125.1
 NSF 61 - Section 9
 NSF 372 (Low Lead Content)
 ANSI A117.1 (ADA)
 ASSE 1001 (VB)



T&S BRASS AND BRONZE WORKS, INC.

2 Saddleback Cove / P.O. Box 1088
Travelers Rest, SC 29690

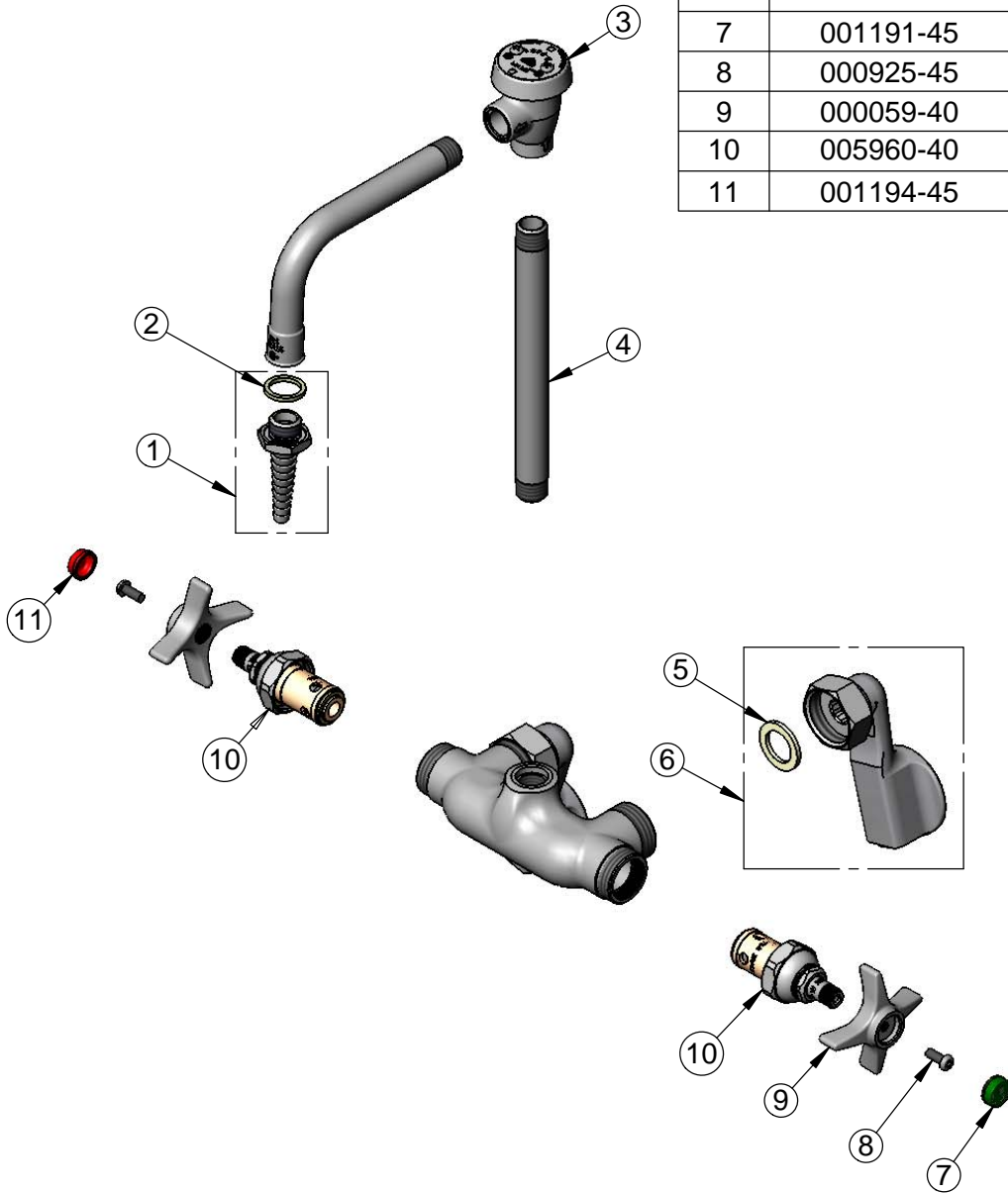
Model No.

BL-5740-08

Item No.

Travelers Rest, SC: 800-476-4103 • Simi Valley, CA: 800-423-0150 • Fax: 864-834-3518 • www.tsbrass.com

ITEM NO.	SALES NO.	DESCRIPTION
1	B-0198	Serrated Tip
2	001051-45	Washer
3	B-0968	3/8" NPT Vacuum Breaker
4	000363-40	Nipple, 3/8" NPT x 7"
5	001019-45	Coupling Nut Washer
6	00GG	Flange Assembly, 1/2" NPT, Adjustable
7	001191-45	Green Index - CW
8	000925-45	Lab Handle Screw
9	000059-40	4-Arm Lab Handle
10	005960-40	Eterna Cartridge, RTC
11	001194-45	Red Index - HW



Product Specifications:

Wall Mount Mixing Faucet, Eterna Cartridges, Rigid Gooseneck w/
Serrated Tip, Vacuum Breaker, 4-Arm Lab Handles and Adjustable Inlets

Product Compliance:

ASME A112.18.1 / CSA B125.1
NSF 61 - Section 9
NSF 372 (Low Lead Content)
ANSI A117.1 (ADA)
ASSE 1001 (VB)