



**T&S BRASS AND BRONZE WORKS, INC.**  
 2 Saddleback Cove / P.O. Box 1088  
 Travelers Rest, SC 29690

Model No.  
**BL-5725-09CRWH4**

Item No.

Travelers Rest, SC: 800-476-4103 • Simi Valley, CA: 800-423-0150 • Fax: 864-834-3518 • www.tsbrass.com



**ADA Compliant**

This Space for Architect/Engineer Approval

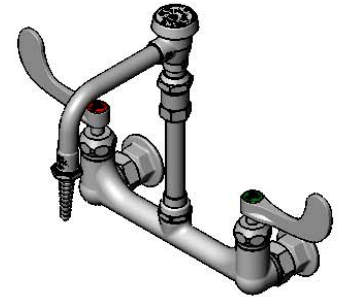
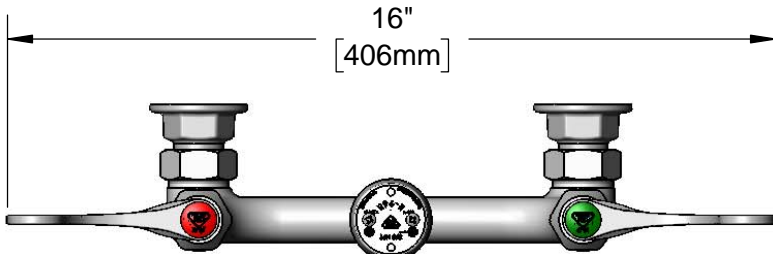
Job Name \_\_\_\_\_ Date \_\_\_\_\_

Model Specified \_\_\_\_\_ Quantity \_\_\_\_\_

Customer/Wholesaler \_\_\_\_\_

Contractor \_\_\_\_\_

Architect/Engineer \_\_\_\_\_



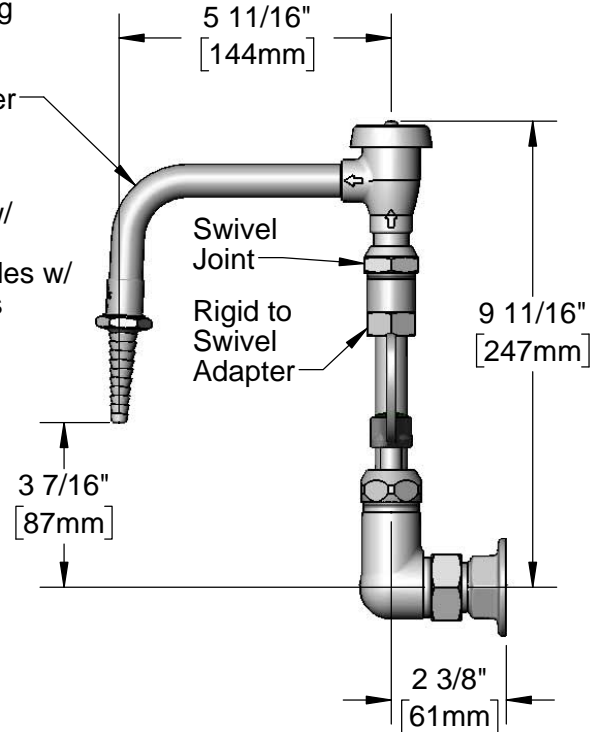
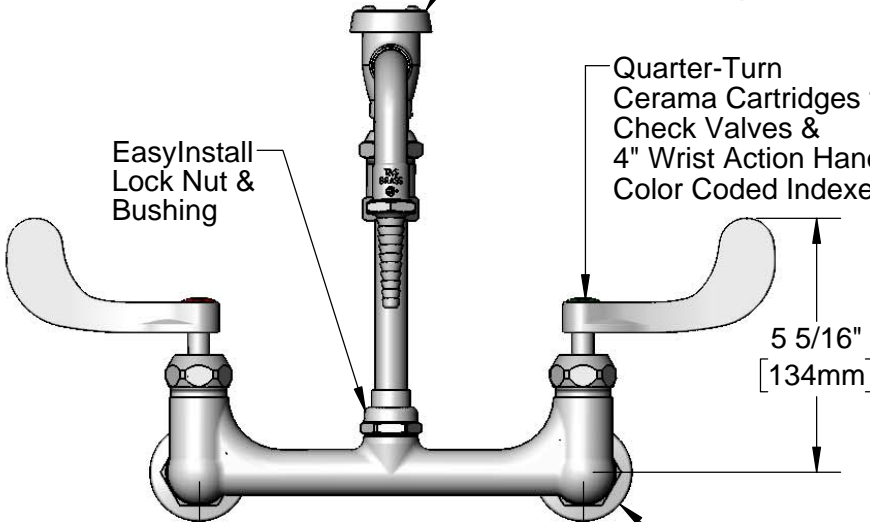
B-0968  
 3/8" NPT Vacuum Breaker

Vacuum Breaker Swing  
 Nozzle w/  
 B-0198  
 Serrated Tip w/ Washer

Quarter-Turn  
 Cerama Cartridges w/  
 Check Valves &  
 4" Wrist Action Handles w/  
 Color Coded Indexes

EasyInstall  
 Lock Nut &  
 Bushing

Swivel  
 Joint  
 Rigid to  
 Swivel  
 Adapter



Adjustable From  
 7 3/4" to 8 1/4"  
 [197mm to 210mm]

φ2"  
 [51mm]  
 Flanges w/  
 1/2" NPT  
 Female Inlets

**Product Specifications:**

8" Wall Mount Laboratory Mixing Faucet, Quarter-Turn Cerama Cartridges w/ Check Valves, 4" Wrist Action Handles, Swivel Vacuum Breaker Nozzle, Serrated Tip & 1/2 NPT Female Inlets

**Product Compliance:**

ASME A112.18.1 / CSA B125.1  
 NSF 61 - Section 9  
 NSF 372 (Low Lead Content)  
 ANSI A117.1 (ADA)  
 ASSE 1001 (VB)



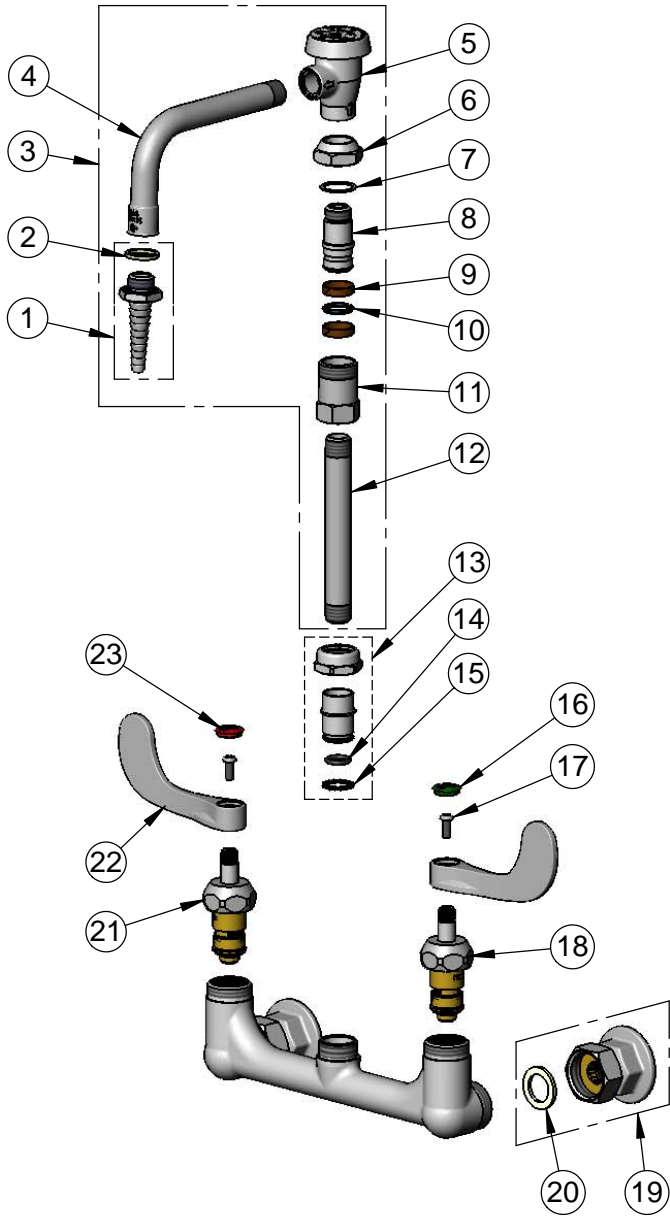
# T&S BRASS AND BRONZE WORKS, INC.

2 Saddleback Cove / P.O. Box 1088  
Travelers Rest, SC 29690

Model No.  
**BL-5725-09CRWH4**

Item No.

Travelers Rest, SC: 800-476-4103 • Simi Valley, CA: 800-423-0150 • Fax: 864-834-3518 • www.tsbrass.com



ITEM NO.	SALES NO.	DESCRIPTION
1	B-0198	Serrated Tip Outlet, 3/8" NPT Male
2	001051-45	Washer
3	BL-5560-02	Rigid Vacuum Breaker Nozzle with Swivel Adapter, Serrated Tip & 3/8" NPT x 7" Riser
4	000387-40	Nozzle
5	B-0968	3/8" NPT Vacuum Breaker
6	000711-40	Swivel Nut
7	009E	Plastic Washer
8	000843-25	Swivel Body
9	011429-45	Swivel Sleeves (2)
10	001074-45	O-Ring
11	054X	Swivel Body
12	000361-40	3/8" NPT x 5" Riser
13	EZ-K	EasyInstall Kit
14	001065-45	O-ring
15	014200-45	Star Washer, Anti-Rotation
16	001191-45NS	Green "CW" Lab Button Index
17	000925-45	Lab Handle Screw
18	012395-25NS	Quarter-Turn Cerama Cartridge w/ Check Valve, LTC
19	00AA	1/2" NPT Female Eccentric Flange
20	001019-45	Coupling Nut Washer
21	012394-25NS	Quarter-Turn Cerama Cartridge w/ Check Valve, RTC
22	B-WH4-NS	Wrist Action Handle (New Style)
23	019736-45	Red "HW" Lab Button Index

**Product Specifications:**

8" Wall Mount Laboratory Mixing Faucet, Quarter-Turn Cerama Cartridges w/ Check Valves, 4" Wrist Action Handles, Swivel Vacuum Breaker Nozzle, Serrated Tip & 1/2 NPT Female Inlets

**Product Compliance:**

ASME A112.18.1 / CSA B125.1  
NSF 61 - Section 9  
NSF 372 (Low Lead Content)  
ANSI A117.1 (ADA)  
ASSE 1001 (VB)