



# T&S BRASS AND BRONZE WORKS, INC.

2 Saddleback Cove / P.O. Box 1088  
Travelers Rest, SC 29690

Model No.

**BL-5715-10**

Item No.

Travelers Rest, SC: 800-476-4103 • Simi Valley, CA: 800-423-0150 • Fax: 864-834-3518 • www.tsbrass.com

This Space for Architect/Engineer Approval

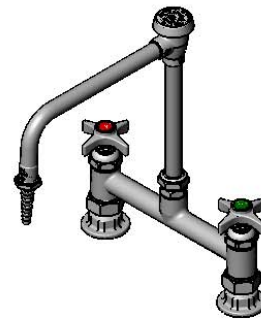
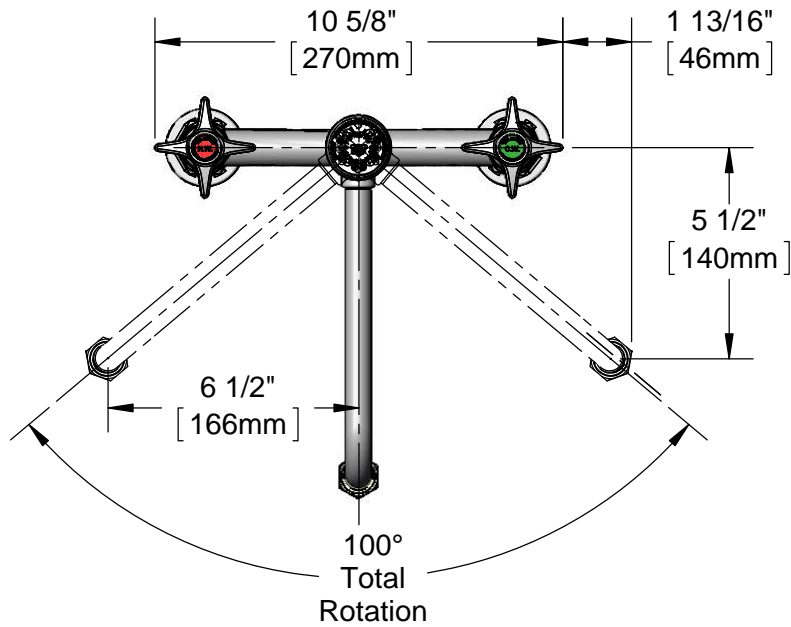
Job Name \_\_\_\_\_ Date \_\_\_\_\_

Model Specified \_\_\_\_\_ Quantity \_\_\_\_\_

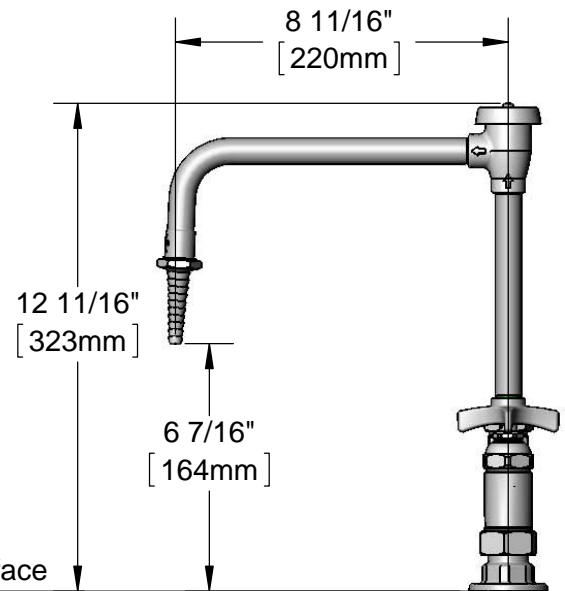
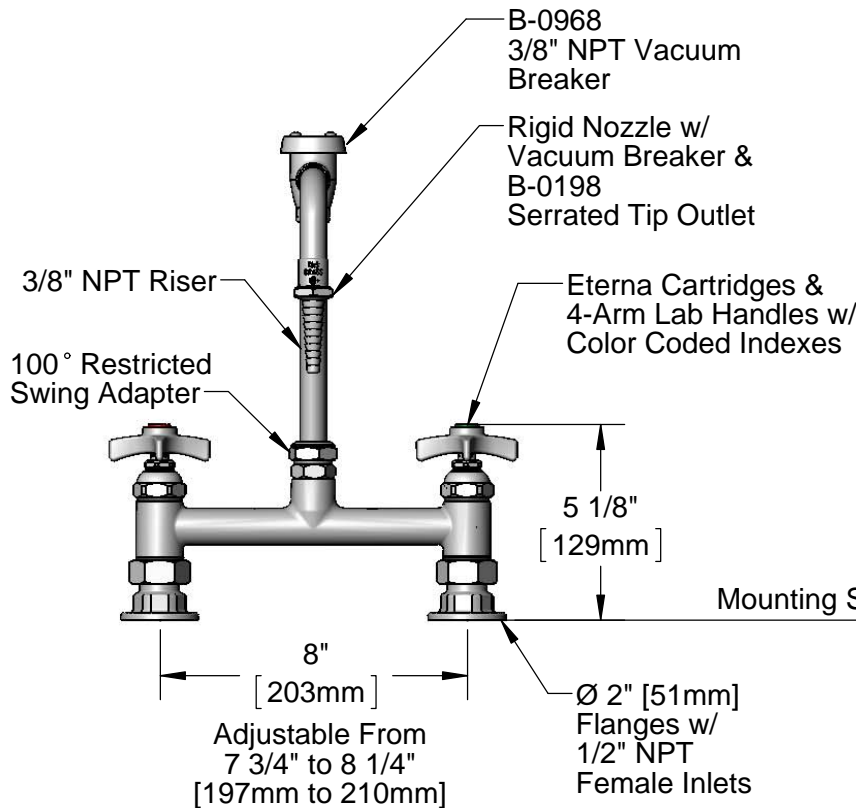
Customer/Wholesaler \_\_\_\_\_

Contractor \_\_\_\_\_

Architect/Engineer \_\_\_\_\_



**ADA Compliant**



### Product Specifications:

8" Deck Mount Laboratory Mixing Faucet, Eterna Cartridges, 4-Arm Lab Handles, Rigid Vacuum Breaker Nozzle, Serrated Tip, Restricted Swing Adapter & 1/2" NPT Female Inlets

### Product Compliance:

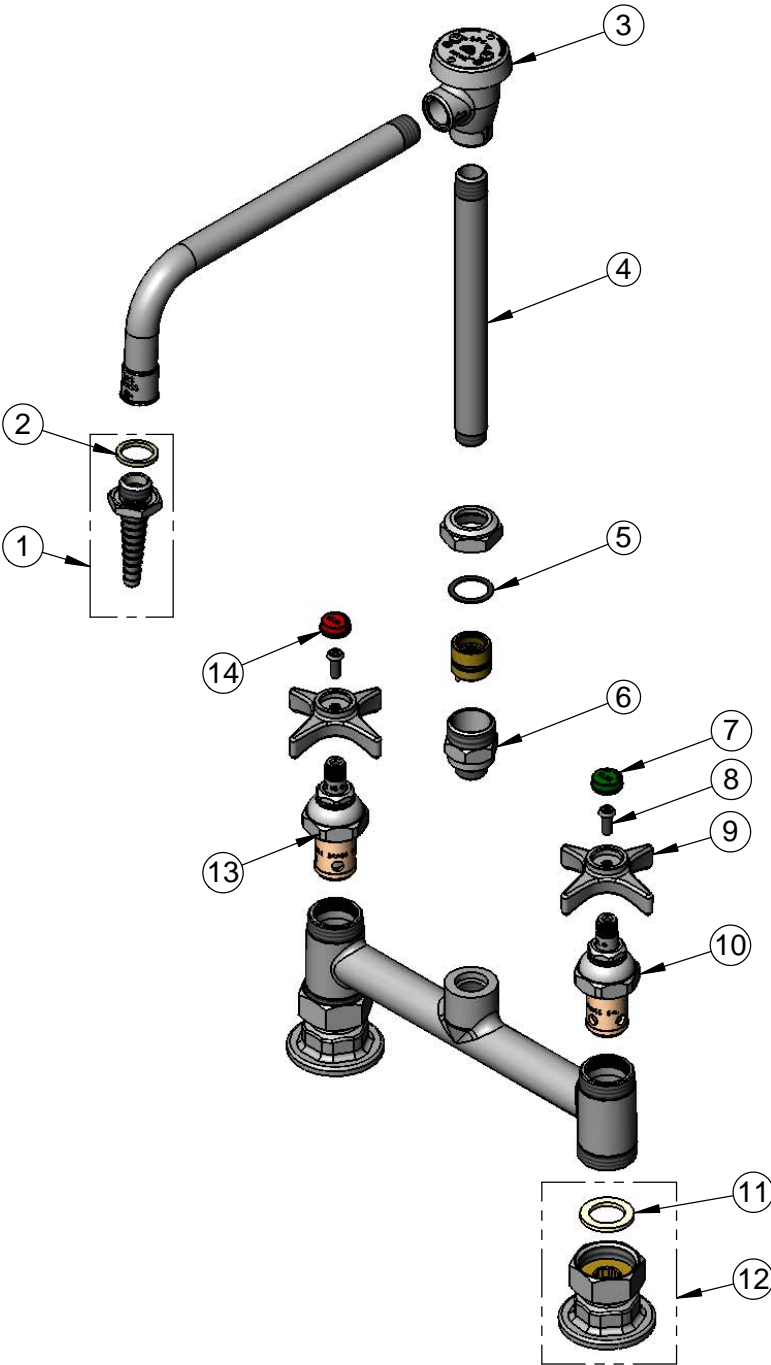
ASME A112.18.1 / CSA B125.1  
NSF 61 - Section 9  
NSF 372 (Low Lead Content)  
ANSI A117.1 (ADA)  
ASSE 1001 (VB)



**T&S BRASS AND BRONZE WORKS, INC.**  
 2 Saddleback Cove / P.O. Box 1088  
 Travelers Rest, SC 29690

Model No.  
**BL-5715-10**  
 Item No.

Travelers Rest, SC: 800-476-4103 • Simi Valley, CA: 800-423-0150 • Fax: 864-834-3518 • www.tsbrass.com



ITEM NO.	SALES NO.	DESCRIPTION
1	B-0198	Serrated Tip w/ Washer
2	001051-45	Washer
3	B-0968	3/8" NPT Vacuum Breaker
4	012749-40	Nipple 3/8 NPT X 5/8-27UNS
5	001023-45	Swivel Binding Washer
6	BL-5550-30	Restricted Swing Adapter
7	001191-45	Green Index - CW
8	000925-45	Lab Handle Screw
9	000059-40	4-Arm Lab Handle
10	005959-40	Eterna Cartridge, LTC
11	001019-45	Coupling Nut Washer
12	00AA	1/2" Female Eccentric Flange
13	005960-40	Eterna Cartridge, RTC
14	001194-45	Red Index - HW

**Product Specifications:**

8" Deck Mount Laboratory Mixing Faucet, Eterna Cartridges, 4-Arm Lab Handles, Rigid Vacuum Breaker Nozzle, Serrated Tip, Restricted Swing Adapter & 1/2" NPT Female Inlets

**Product Compliance:**

ASME A112.18.1 / CSA B125.1  
 NSF 61 - Section 9  
 NSF 372 (Low Lead Content)  
 ANSI A117.1 (ADA)  
 ASSE 1001 (VB)