



T&S BRASS AND BRONZE WORKS, INC.

2 Saddleback Cove / P.O. Box 1088
Travelers Rest, SC 29690

Model No.

BL-5715-09

Item No.

Travelers Rest, SC: 800-476-4103 • Simi Valley, CA: 800-423-0150 • Fax: 864-834-3518 • www.tsbrass.com



ADA Compliant

This Space for Architect/Engineer Approval

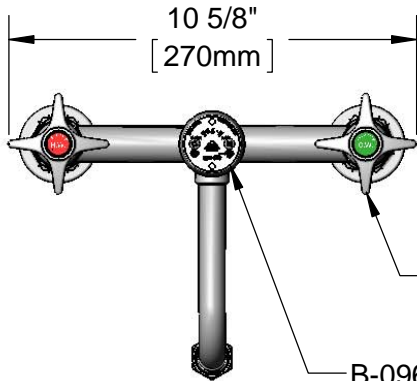
Job Name _____ Date _____

Model Specified _____ Quantity _____

Customer/Wholesaler _____

Contractor _____

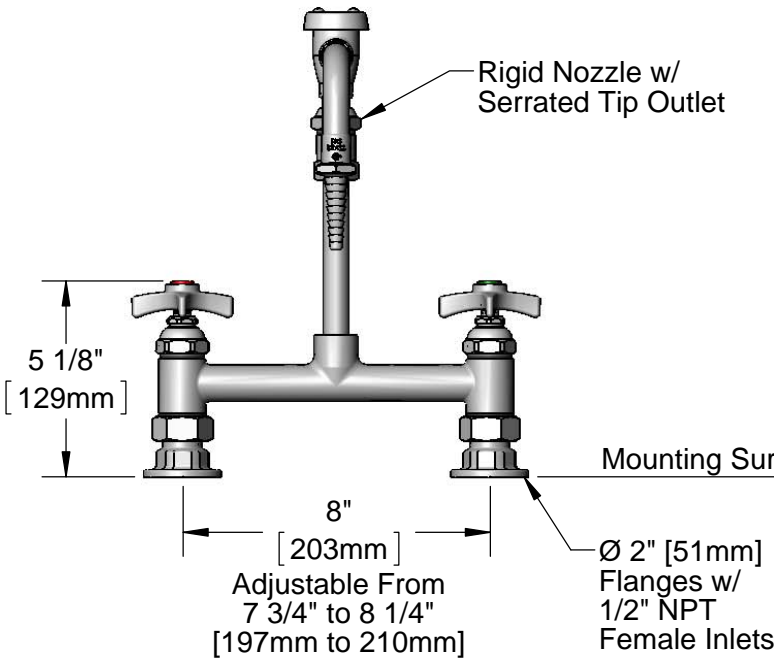
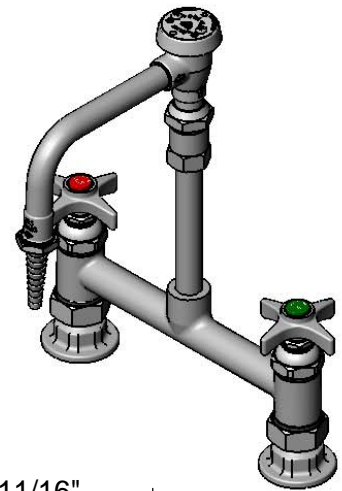
Architect/Engineer _____



10 5/8"
[270mm]

Eterna Cartridges &
4-Arm Lab Handles w/
Color Coded Indexes

B-0968
3/8" NPT Vacuum
Breaker

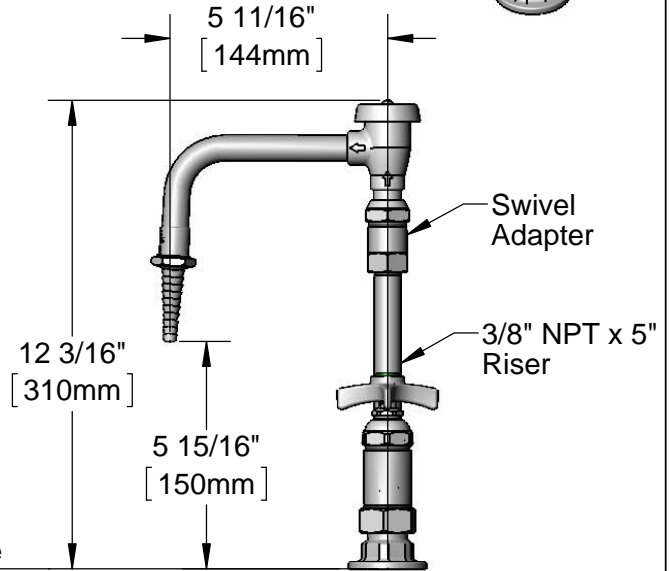


5 1/8"
[129mm]

8"
[203mm]
Adjustable From
7 3/4" to 8 1/4"
[197mm to 210mm]

Rigid Nozzle w/
Serrated Tip Outlet

Ø 2" [51mm]
Flanges w/
1/2" NPT
Female Inlets



5 11/16"
[144mm]

12 3/16"
[310mm]

5 15/16"
[150mm]

Swivel
Adapter

3/8" NPT x 5"
Riser

Mounting Surface

Product Specifications:

8" Deck Mount Laboratory Mixing Faucet, Eterna Cartridges, 4-Arm Lab Handles, Rigid Vacuum Breaker Nozzle, Serrated Tip & 1/2" NPT Female Inlets

Product Compliance:

ASME A112.18.1 / CSA B125.1
NSF 61 - Section 9
NSF 372 (Low Lead Content)
ANSI A117.1 (ADA)
ASSE 1001 (VB)



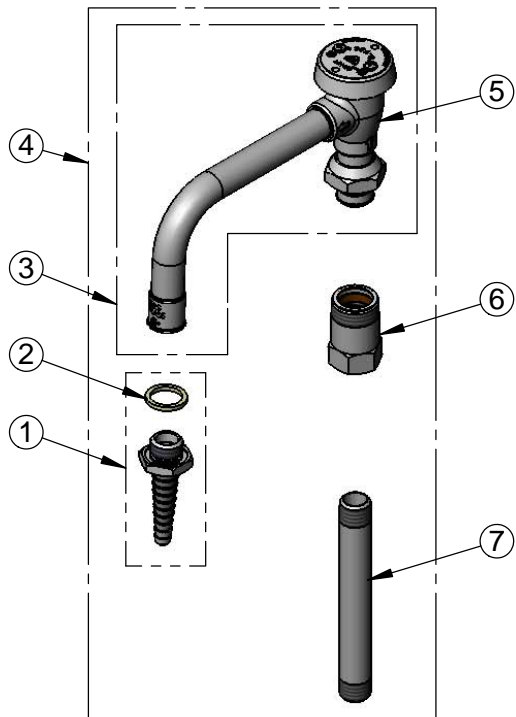
T&S BRASS AND BRONZE WORKS, INC.
 2 Saddleback Cove / P.O. Box 1088
 Travelers Rest, SC 29690

Model No.

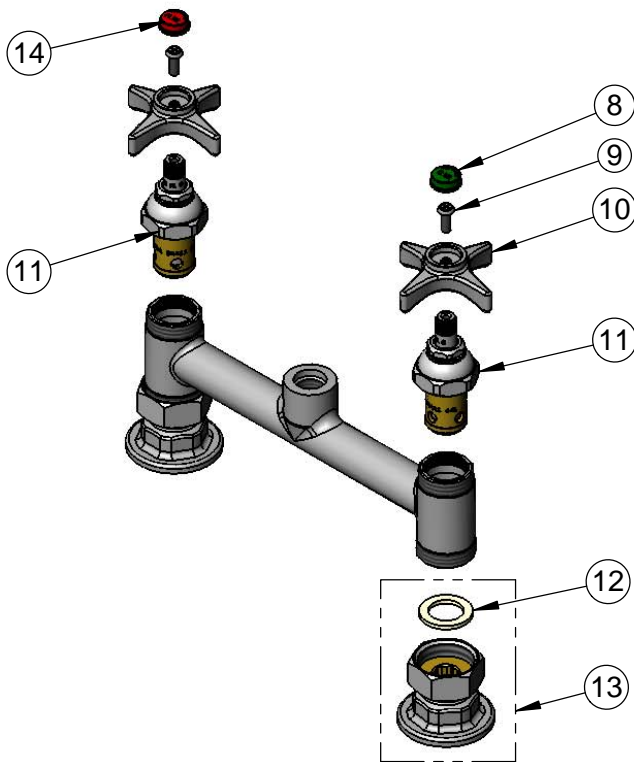
BL-5715-09

Item No.

Travelers Rest, SC: 800-476-4103 • Simi Valley, CA: 800-423-0150 • Fax: 864-834-3518 • www.tsbrass.com



ITEM NO.	SALES NO.	DESCRIPTION
1	B-0198	Serrated Tip w/ Washer
2	001051-45	Washer
3	007283-40	Nozzle w/ Vacuum Breaker Only
4	BL-5560-01	Rigid Nozzle w/ Vacuum Breaker, Serrated Tip & 3/8" NPT x 7" Riser Inlet
5	B-0968	3/8" NPT Vacuum Breaker
6	054X	Swivel Body
7	000361-40	Nipple, 3/8" NPT x 5"
8	001191-45	Green Index - CW
9	000925-45	Lab Handle Screw
10	000059-40	4-Arm Lab Handle
11	005960-40	Eterna Cartridge, RTC
12	001019-45	Coupling Nut Washer
13	00AA	1/2" Female Eccentric Flange
14	001194-45	Red Index - HW



Product Specifications:

8" Deck Mount Laboratory Mixing Faucet, Eterna Cartridges, 4-Arm Lab Handles, Rigid Vacuum Breaker Nozzle, Serrated Tip & 1/2" NPT Female Inlets

Product Compliance:

ASME A112.18.1 / CSA B125.1
 NSF 61 - Section 9
 NSF 372 (Low Lead Content)
 ANSI A117.1 (ADA)
 ASSE 1001 (VB)