



T&S BRASS AND BRONZE WORKS, INC.

2 Saddleback Cove / P.O. Box 1088
Travelers Rest, SC 29690

Model No.

BL-5709-09

Item No.

Travelers Rest, SC: 800-476-4103 • Simi Valley, CA: 800-423-0150 • Fax: 864-834-3518 • www.tsbrass.com

This Space for Architect/Engineer Approval

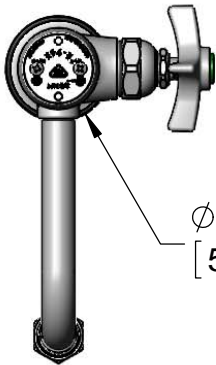
Job Name _____ Date _____

Model Specified _____ Quantity _____

Customer/Wholesaler _____

Contractor _____

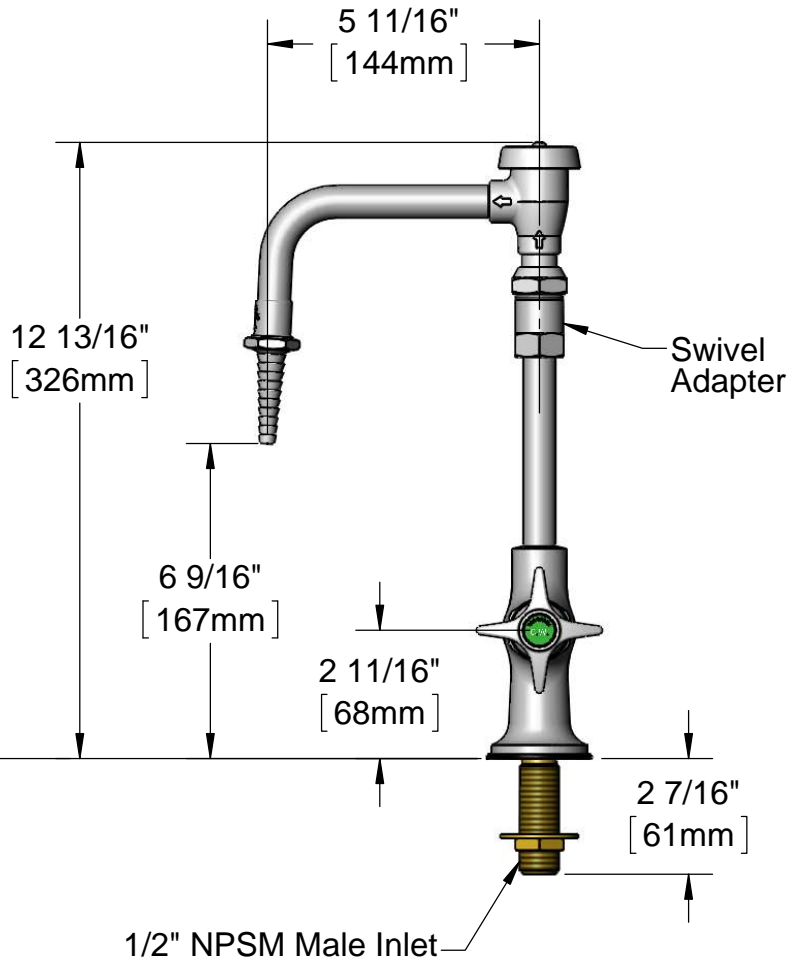
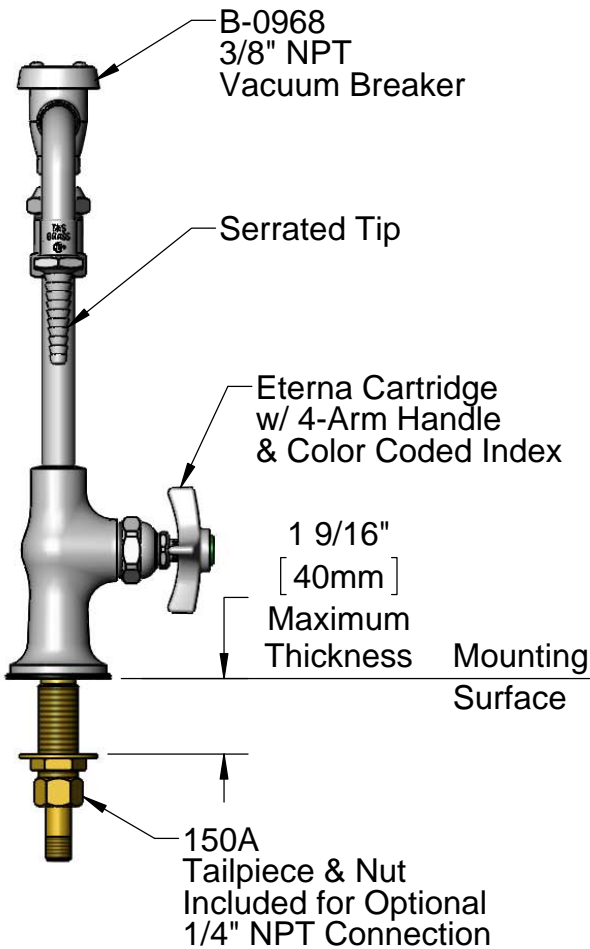
Architect/Engineer _____



Ø 2 3/16"
[56mm]



ADA Compliant



Product Specifications:

Single Temperature Lab Faucet w/ Vacuum Breaker Rigid Nozzle,
Serrated Tip Outlet, 4-Arm Lab Handle & 1/2" NPSM Male Inlet

Product Compliance:

ASME A112.18.1 / CSA B125.1
NSF 61 - Section 9
NSF 372 (Low Lead Content)
ANSI A117.1 (ADA)
ASSE 1001 (VB)

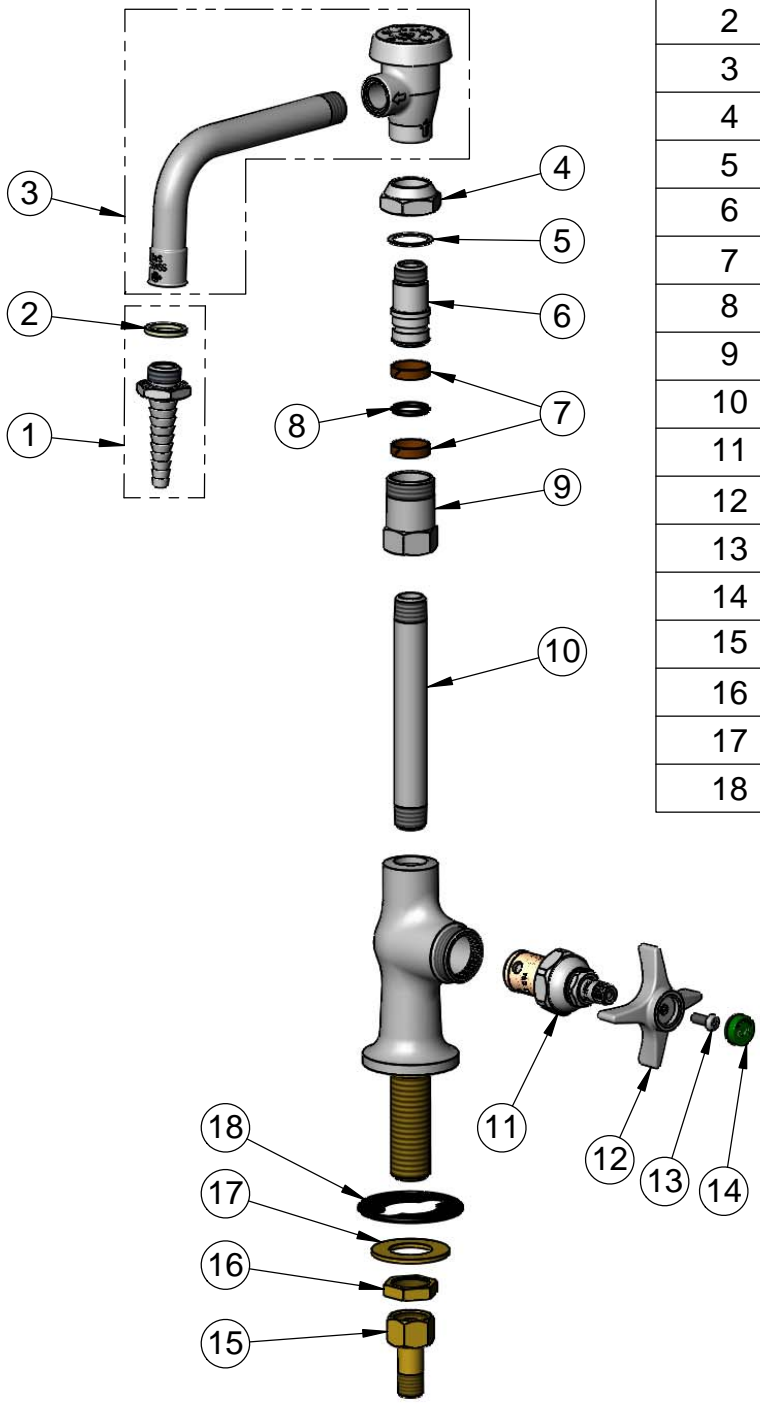


T&S BRASS AND BRONZE WORKS, INC.
 2 Saddleback Cove / P.O. Box 1088
 Travelers Rest, SC 29690

Model No.
BL-5709-09
 Item No.

Travelers Rest, SC: 800-476-4103 • Simi Valley, CA: 800-423-0150 • Fax: 864-834-3518 • www.tsbrass.com

ITEM NO.	SALES NO.	DESCRIPTION
1	B-0198	Serrated Tip
2	001051-45	Washer
3	007283-40	Vacuum Breaker Nozzle Asm.
4	000711-40	Swivel Nut
5	009E	Plastic Washer
6	000843-25	Swivel Body
7	011429-45	Swivel Sleeves (2)
8	001074-45	O-Ring
9	054X	Swivel Body
10	000361-40	Nipple, 3/8" NPT x 5"
11	005960-40	Eterna Cartridge, RTC
12	000059-40	4-Arm Lab Handle
13	000925-45	Lab Handle Screw
14	001191-45	Green Index - CW
15	150A	Bag of (1) Tailpiece & (1) Nut
16	002954-45	Shank Lock Nut
17	000999-45	Brass Lock Washer
18	144L	Black Plastic Gasket



Product Specifications:
 Single Temperature Lab Faucet w/ Vacuum Breaker Rigid Nozzle,
 Serrated Tip Outlet, 4-Arm Lab Handle & 1/2" NPSM Male Inlet

Product Compliance:
 ASME A112.18.1 / CSA B125.1
 NSF 61 - Section 9
 NSF 372 (Low Lead Content)
 ANSI A117.1 (ADA)
 ASSE 1001 (VB)