



**T&S BRASS AND BRONZE WORKS, INC.**

2 Saddleback Cove / P.O. Box 1088  
Travelers Rest, SC 29690

Model No.

**BL-5709-08WH4**

Item No.

Travelers Rest, SC: 800-476-4103 • Simi Valley, CA: 800-423-0150 • Fax: 864-834-3518 • www.tsbrass.com



**ADA Compliant**

This Space for Architect/Engineer Approval

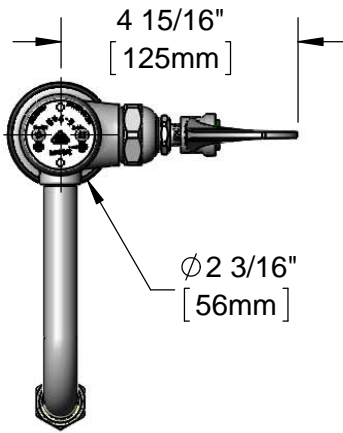
Job Name \_\_\_\_\_ Date \_\_\_\_\_

Model Specified \_\_\_\_\_ Quantity \_\_\_\_\_

Customer/Wholesaler \_\_\_\_\_

Contractor \_\_\_\_\_

Architect/Engineer \_\_\_\_\_



B-0968

3/8" NPT Vacuum Breaker

Rigid Nozzle w/  
Vacuum Breaker &  
B-0198 Serrated Tip  
Outlet

Eterna Cartridge  
w/ 4" Wrist Action  
Handle & Color Coded  
Index

12 5/8"  
[321mm]

6 11/16"  
[169mm]

6 7/16"  
[164mm]

5 11/16"  
[144mm]

3/8" NPT x  
7" Riser

2 11/16"  
[68mm]

Mounting  
Surface

Deck  
Gasket

1/2" NPSM Male Inlet

1 1/2"  
[38mm]  
Maximum  
Thickness

150A  
Optional Tailpiece & Nut  
for 1/4" NPT Connection  
(Included)

Rough-In Requirement:  
Ø 1" [25mm] Mounting Hole

**Product Specifications:**

Single Hole Single Temperature Deck Mount Laboratory Faucet, Eterna Cartridge, 4" Wrist Action Handle, Rigid Vacuum Breaker Nozzle, Serrated Tip Outlet & 1/2" NPSM Male Inlet

**Product Compliance:**

ASME A112.18.1 / CSA B125.1  
NSF 61 - Section 9  
NSF 372 (Low Lead Content)  
ANSI A117.1 (ADA)  
ASSE 1001 (VB)



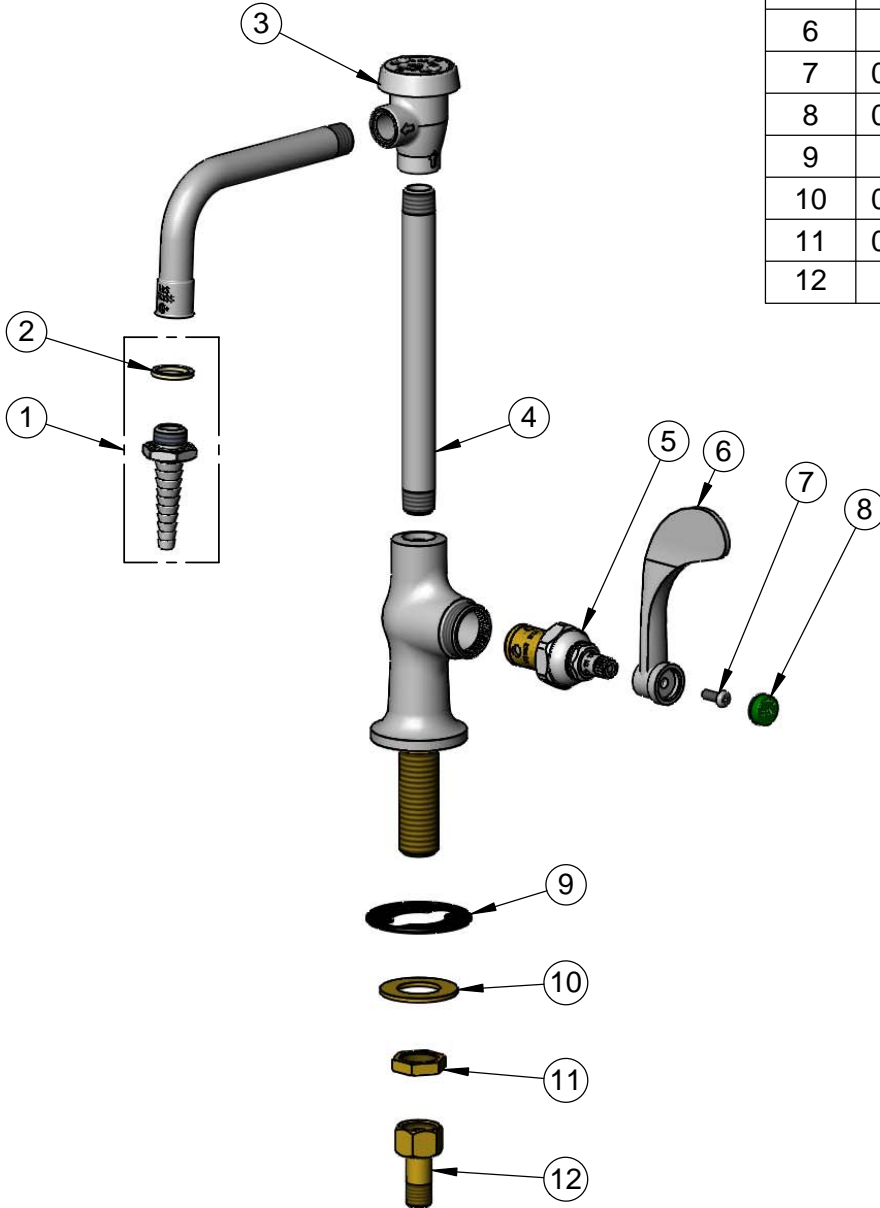
**T&S BRASS AND BRONZE WORKS, INC.**  
 2 Saddleback Cove / P.O. Box 1088  
 Travelers Rest, SC 29690

Model No.  
**BL-5709-08WH4**

Item No.

Travelers Rest, SC: 800-476-4103 • Simi Valley, CA: 800-423-0150 • Fax: 864-834-3518 • www.tsbrass.com

ITEM NO.	SALES NO.	DESCRIPTION
1	B-0198	Serrated Tip w/ Washer
2	001051-45	Washer
3	B-0968	3/8" NPT Vacuum Breaker
4	000363-40	Nipple, 3/8" NPT x 7"
5	006010-40	Eterna Cartridge, RTC (Teflon)
6	B-WH4	4" Wrist Action Handle
7	000925-45	Lab Handle Screw
8	001191-45	Green Index - CW
9	144L	Black Plastic Gasket
10	000999-45	Brass Lock Washer
11	002954-45	Shank Lock Nut
12	150A	1/4" Tailpiece & Nut



**Product Specifications:**

Single Hole Single Temperature Deck Mount Laboratory Faucet, Eterna Cartridge, 4" Wrist Action Handle, Rigid Vacuum Breaker Nozzle, Serrated Tip Outlet & 1/2" NPSM Male Inlet

**Product Compliance:**

ASME A112.18.1 / CSA B125.1  
 NSF 61 - Section 9  
 NSF 372 (Low Lead Content)  
 ANSI A117.1 (ADA)  
 ASSE 1001 (VB)