



T&S BRASS AND BRONZE WORKS, INC.
 2 SADDLEBACK COVE / P.O. BOX 1088 / TRAVELERS REST, SC 29690
 PHONE 800-476-4103 FAX 864- 834-3518

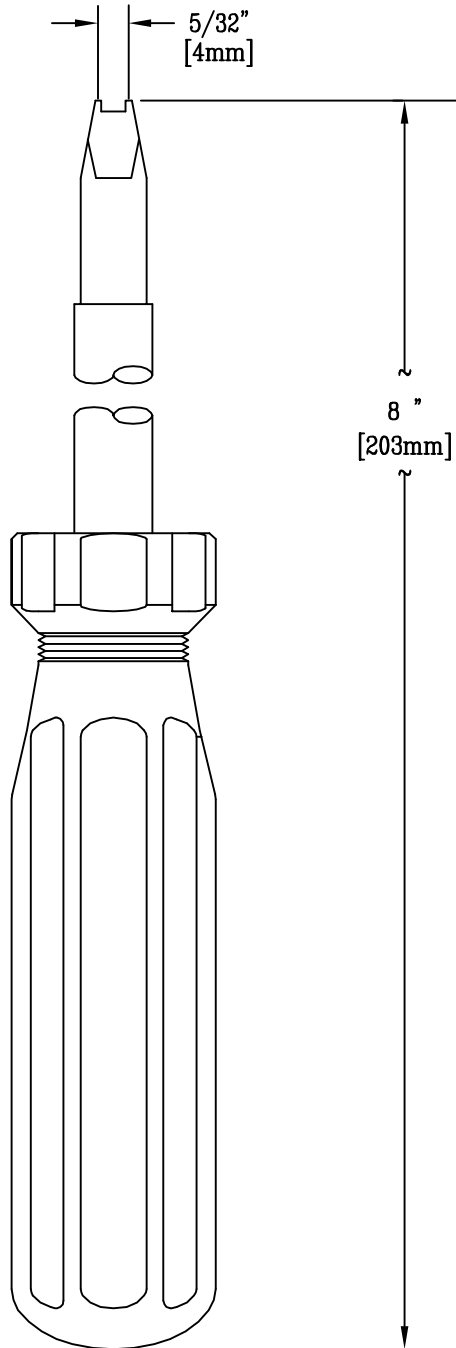


Model No.
 BL-5707-05
 Item No.:

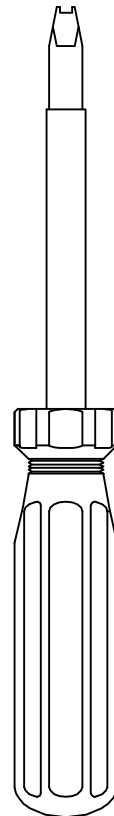
Job Name:

Architect/Engineer Approval:

Notes:



(SHOWN FULL SIZE)



(SHOWN HALF SIZE)

Product Description:

#8 SPANNER SCREWDRIVER

Drawn:

WJS

Checked

ARD

Scale:

N/A

Approved

CA

Date:

10/25/95