



T&S BRASS AND BRONZE WORKS, INC.

2 Saddleback Cove / P.O. Box 1088
Travelers Rest, SC 29690

Model No.

BL-5707-04

Item No.

Travelers Rest, SC: 800-476-4103 • Simi Valley, CA: 800-423-0150 • Fax: 864-834-3518 • www.tsbrass.com



ADA Compliant

This Space for Architect/Engineer Approval

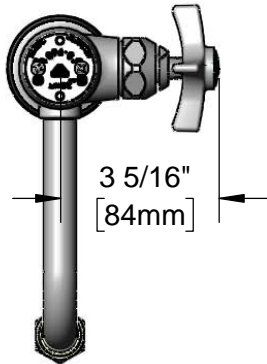
Job Name _____ Date _____

Model Specified _____ Quantity _____

Customer/Wholesaler _____

Contractor _____

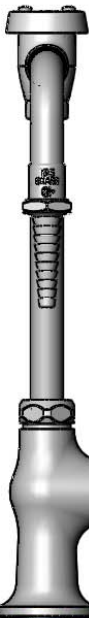
Architect/Engineer _____



3 5/16"
[84mm]

Swivel Vacuum Breaker
Nozzle w/ Serrated Tip
Outlet.
Converts to Rigid w/
014200-45 Lock Washer
(Included)

B-0968
3/8" NPT
Vacuum Breaker



Quarter-Turn Eterna
Cartridge w/ Spring
Check & 4-Arm Lab
Handle w/ Vandal
Resistant Screw &
Color Coded Index

Mounting
Surface

2 11/16"
[68mm]

2 7/16"
[61mm]

Ø 2" [51mm]
Flange w/
Black Plastic Deck
Gasket & 1/2" NPSM
Male Inlet

Brass Balls for
Vandal Resistance

6 1/2"
[166mm]

5 11/16"
[144mm]

Ø 2 3/16"
[56mm]
Deck Gasket

12 13/16"
[325mm]

150A
Optional Tailpiece &
Nut For 1/4" NPT
Connection (Included)

1 1/2"
[38mm]
Maximum
Thickness

Ø 5/16"
[8mm]

1 1/4"
[32mm]

5/8"
[16mm]

**Base Drilling
Detail**

Rough-In Requirement:
Ø 1" [25mm] Mounting Hole

Product Specifications:

Single Hole Single Temperature Deck Mount Vandal Resistant Laboratory
Faucet, Quarter-Turn Eterna Cartridge w/ Spring Check, 4-Arm Lab Handle w/
Vandal Resistant Screw, Swivel/Rigid Vacuum Breaker Nozzle, Serrated Tip
Outlet & 1/2" NPSM Male Inlet

Product Compliance:

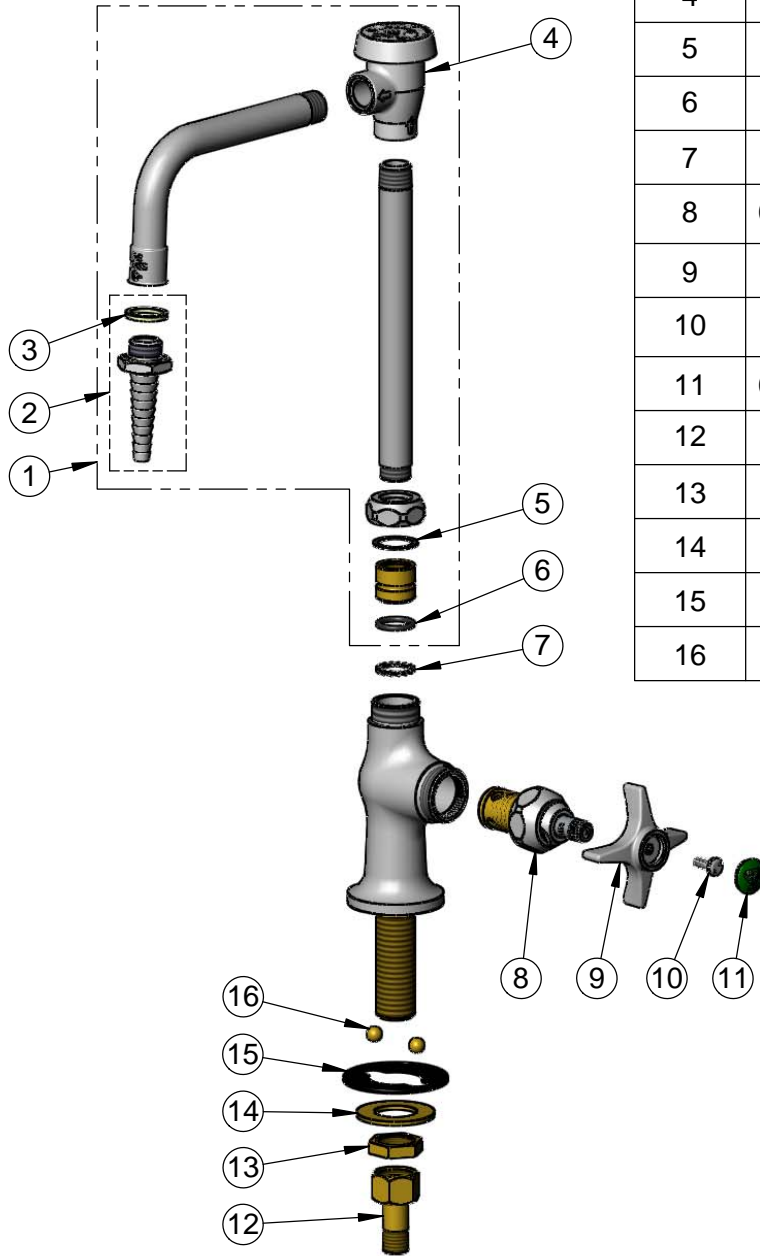
ASME A112.18.1 / CSA B125.1
NSF 61 - Section 9
NSF 372 (Low Lead Content)
ANSI A117.1 (ADA)
ASSE 1001 (VB)



T&S BRASS AND BRONZE WORKS, INC.
 2 Saddleback Cove / P.O. Box 1088
 Travelers Rest, SC 29690

Model No.
BL-5707-04
 Item No.

Travelers Rest, SC: 800-476-4103 • Simi Valley, CA: 800-423-0150 • Fax: 864-834-3518 • www.tsbrass.com



ITEM NO.	SALES NO.	DESCRIPTION
1	BL-5560-03	Swivel Vacuum Breaker Nozzle w/ Serrated Tip
2	B-0198	Serrated Tip w/ Washer
3	001051-45	Washer
4	B-0968	3/8" NPT Vacuum Breaker
5	001023-45	Swivel Binding Washer
6	001074-45	O-ring
7	014200-45	Star Washer, Anti-Rotation
8	012443-40NS	Quarter-Turn Eterna Cartridge w/ Spring Check, RTC
9	000059-40	4-Arm Lab Handle
10	VRS-2	VR Wrist Action Handle Screw (2) w/ Spanner Bit
11	001191-45NS	Green "CW" Lab Button Index
12	150A	1/4" NPT Tailpiece & Nut
13	002954-45	Shank Lock Nut
14	000999-45	Brass Lock Washer
15	144L	Black Plastic Deck Gasket
16	001408-45	5/16" Brass Ball

014075-45
 #10 Spanner Bit

Product Specifications:

Single Hole Single Temperature Deck Mount Vandal Resistant Laboratory Faucet, Quarter-Turn Eterna Cartridge w/ Spring Check, 4-Arm Lab Handle w/ Vandal Resistant Screw, Swivel/Rigid Vacuum Breaker Nozzle, Serrated Tip Outlet & 1/2" NPSM Male Inlet

Product Compliance:

ASME A112.18.1 / CSA B125.1
 NSF 61 - Section 9
 NSF 372 (Low Lead Content)
 ANSI A117.1 (ADA)
 ASSE 1001 (VB)