



# T&S BRASS AND BRONZE WORKS, INC.

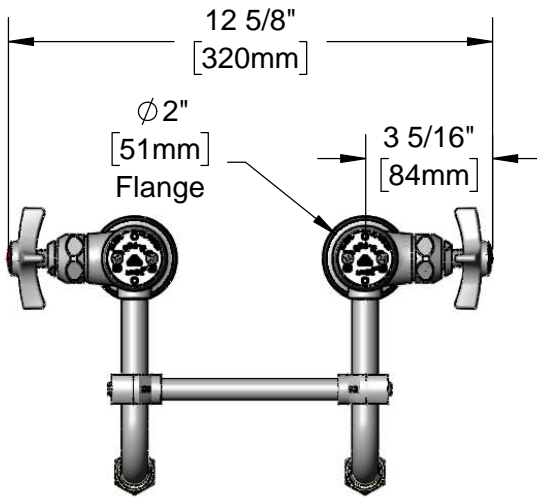
2 Saddleback Cove / P.O. Box 1088  
Travelers Rest, SC 29690

Model No.

**BL-5707-03**

Item No.

Travelers Rest, SC: 800-476-4103 • Simi Valley, CA: 800-423-0150 • Fax: 864-834-3518 • www.tsbrass.com



**ADA Compliant**

This Space for Architect/Engineer Approval

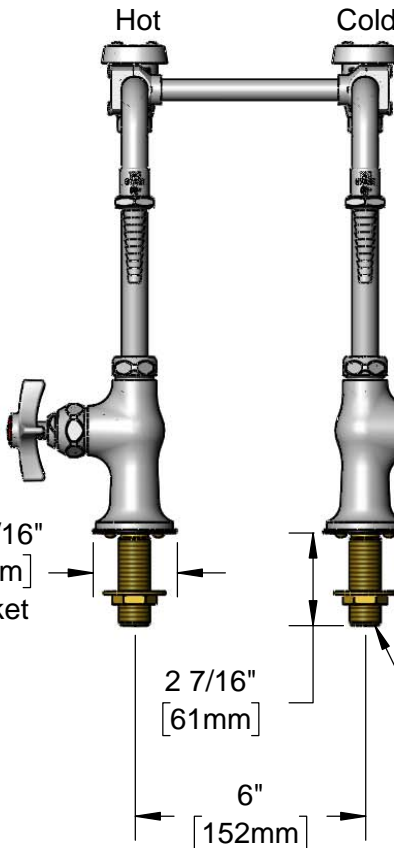
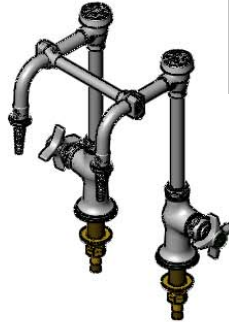
Job Name \_\_\_\_\_ Date \_\_\_\_\_

Model Specified \_\_\_\_\_ Quantity \_\_\_\_\_

Customer/Wholesaler \_\_\_\_\_

Contractor \_\_\_\_\_

Architect/Engineer \_\_\_\_\_

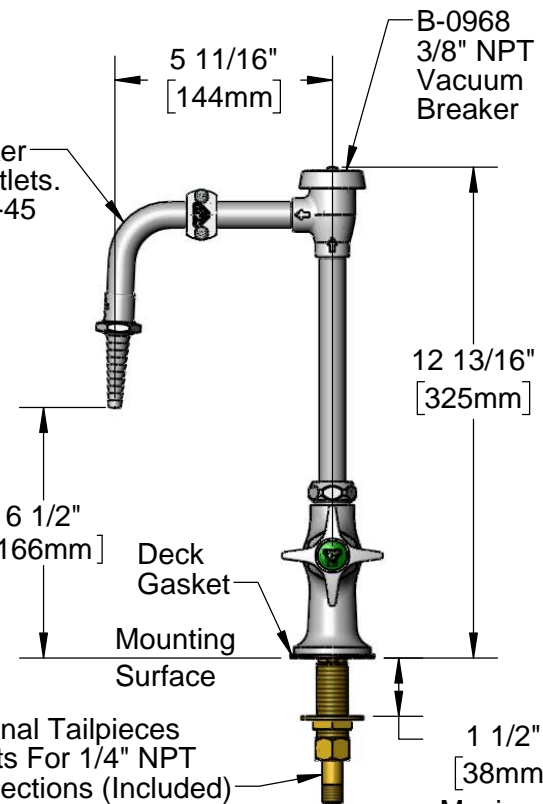


Swivel/Rigid Vacuum Breaker Nozzles w/ Serrated Tip Outlets. Convert to Rigid w/ 014200-45 Lock Washers (Included).

Quarter-Turn Eterna Cartridges w/ Spring Checks & 4-Arm Lab Handles w/ VR Handle Screws & Color Coded Indexes

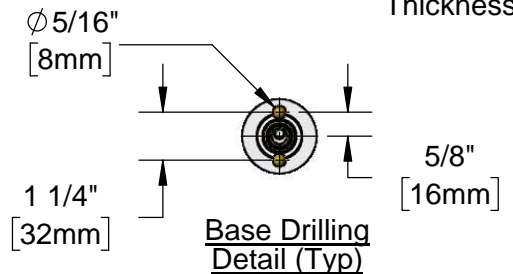
Brass Balls for Vandal Resistance

1/2" NPSM Male Inlets



150A Optional Tailpieces & Nuts For 1/4" NPT Connections (Included)

1 1/2" [38mm] Maximum Thickness



Rough-In Requirement:  
(2)  $\phi$  1" [25mm] Mounting Holes

**Product Specifications:**

Combination Science Table Deck Mount Vandal Resistant Laboratory Faucet, Quarter-Turn Eterna Cartridges w/ Spring Checks, 4-Arm Lab Handles w/ Vandal Resistant Screws, Swivel/Rigid Vacuum Breaker Nozzles, Serrated Tip Outlets & 1/2" NPSM Male Inlets

**Product Compliance:**

ASME A112.18.1 / CSA B125.1  
NSF 61 - Section 9  
NSF 372 (Low Lead Content)  
ANSI A117.1 (ADA)  
ASSE 1001 (VB)



# T&S BRASS AND BRONZE WORKS, INC.

2 Saddleback Cove / P.O. Box 1088  
Travelers Rest, SC 29690

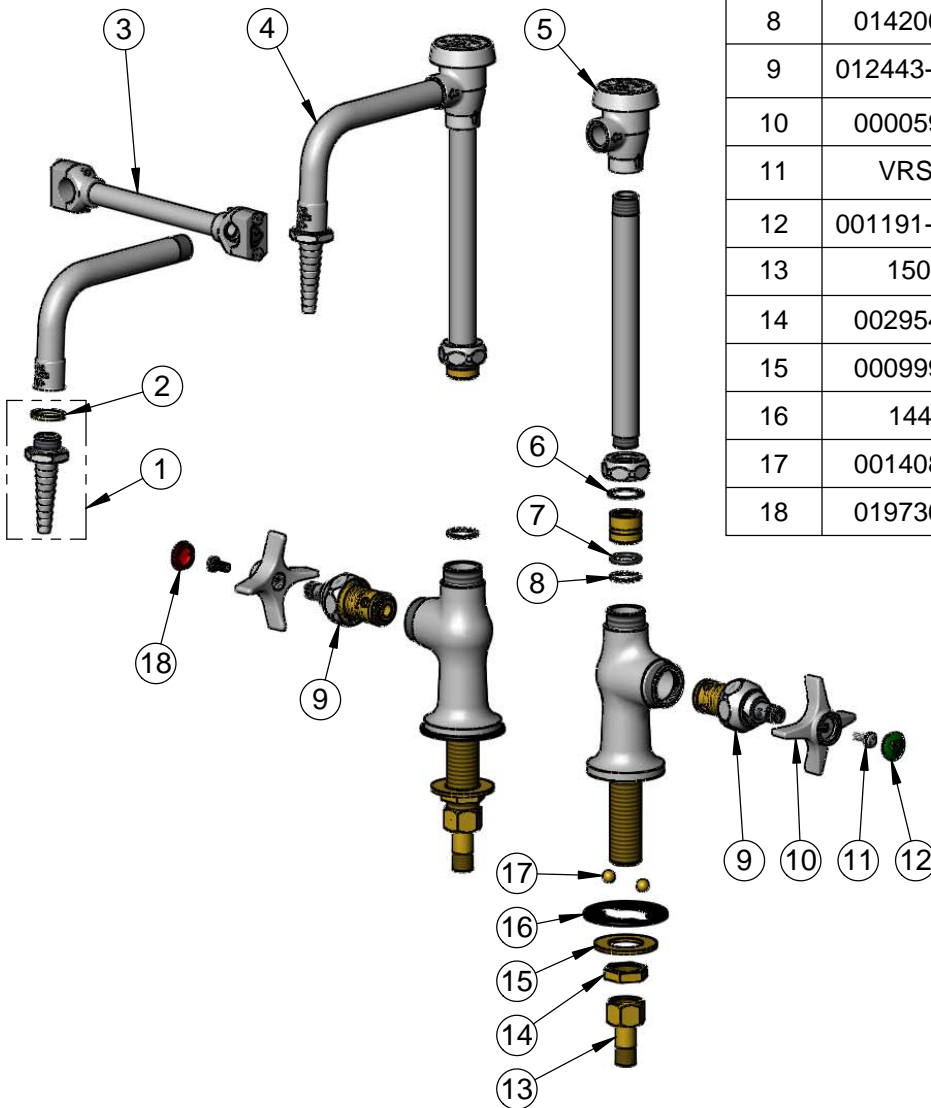
Model No.

**BL-5707-03**

Item No.

Travelers Rest, SC: 800-476-4103 • Simi Valley, CA: 800-423-0150 • Fax: 864-834-3518 • www.tsbrass.com

| ITEM NO. | SALES NO.   | DESCRIPTION  |
|----------|-------------|--|
| 1        | B-0198      | Serrated Tip w/ Washer                             |
| 2        | 001051-45   | Washer   |
| 3        | BL-5707-10  | 6" Vandal Resistant Brace                          |
| 4        | BL-5560-03  | Swivel Vacuum Breaker Nozzle w/ Serrated Tip       |
| 5        | B-0968      | 3/8" NPT vacuum Breaker                            |
| 6        | 001023-45   | Swivel Binding Washer                              |
| 7        | 001074-45   | O-ring   |
| 8        | 014200-45   | Star Washer, Anti-Rotation                         |
| 9        | 012443-40NS | Quarter-Turn Eterna Cartridge w/ Spring Check, RTC |
| 10       | 000059-40   | 4-Arm Lab Handle                                   |
| 11       | VRS-2       | VR Wrist Action Handle Screw (2) w/ Spanner Bit    |
| 12       | 001191-45NS | Green "CW" Lab Button Index                        |
| 13       | 150A        | 1/4" NPT Tailpiece & Nut                           |
| 14       | 002954-45   | Shank Lock Nut                                     |
| 15       | 000999-45   | Brass Lock Washer                                  |
| 16       | 144L        | Black Plastic Gasket                               |
| 17       | 001408-45   | 5/16" Brass Ball                                   |
| 18       | 019736-45   | Red "HW" Lab Button Index                          |



**014075-45**  
#10 Spanner Bit

**Product Specifications:**

Combination Science Table Deck Mount Vandal Resistant Laboratory Faucet, Quarter-Turn Eterna Cartridges w/ Spring Checks, 4-Arm Lab Handles w/ Vandal Resistant Screws, Swivel/Rigid Vacuum Breaker Nozzles, Serrated Tip Outlets & 1/2" NPSM Male Inlets

**Product Compliance:**

ASME A112.18.1 / CSA B125.1  
NSF 61 - Section 9  
NSF 372 (Low Lead Content)  
ANSI A117.1 (ADA)  
ASSE 1001 (VB)