



T&S BRASS AND BRONZE WORKS, INC.

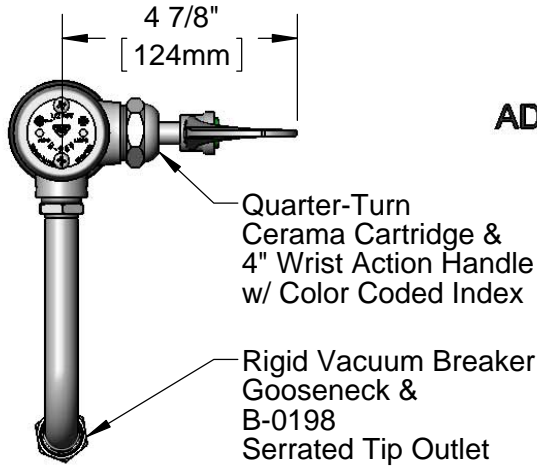
2 Saddleback Cove / P.O. Box 1088
Travelers Rest, SC 29690

Model No.

BL-5707-01CRWH4

Item No.

Travelers Rest, SC: 800-476-4103 • Simi Valley, CA: 800-423-0150 • Fax: 864-834-3518 • www.tsbrass.com



ADA Compliant

This Space for Architect/Engineer Approval

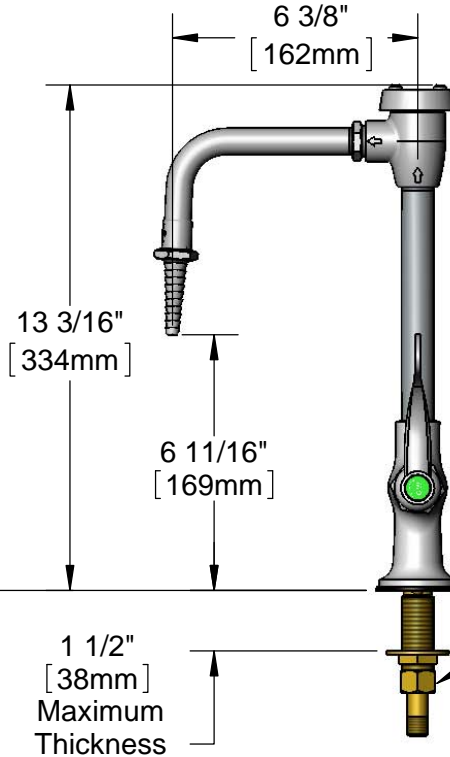
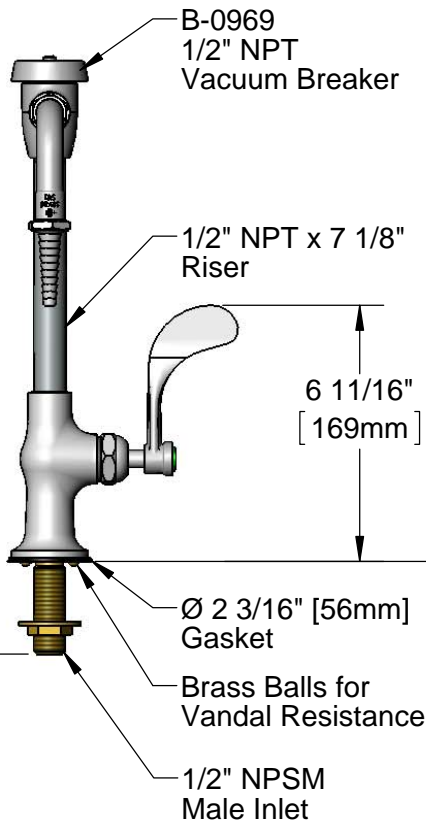
Job Name _____ Date _____

Model Specified _____ Quantity _____

Customer/Wholesaler _____

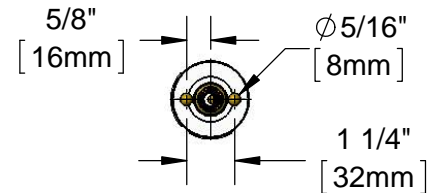
Contractor _____

Architect/Engineer _____



Mounting Surface

150A
Optional
Tailpiece & Nut
for 1/4" NPT
Connection
(Included)



Rough-In Requirement:
Ø 1" [25mm] Mounting Hole

Product Specifications:
Single Hole Single Temperature VR Deck Mount Laboratory Faucet,
Quarter-Turn Cerama Cartridge, 4" Wrist Action Handle, Rigid Vacuum
Breaker Nozzle, Serrated Tip Outlet & 1/2" NPSM Male Inlet

Product Compliance:
ASME A112.18.1 / CSA B125.1
NSF 61 - Section 9
NSF 372 (Low Lead Content)
ANSI A117.1 (ADA)
ASSE 1001 (VB)



T&S BRASS AND BRONZE WORKS, INC.

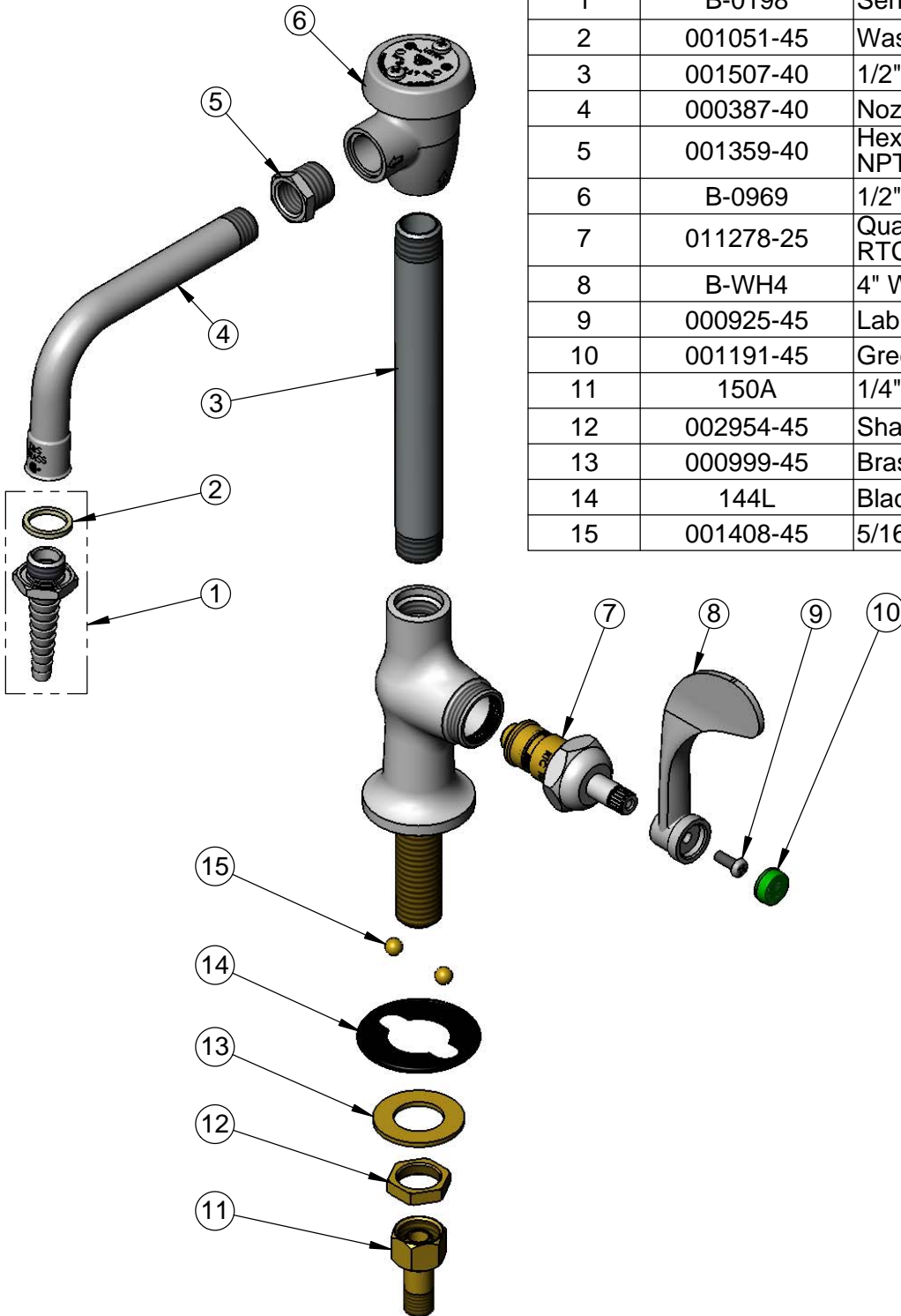
2 Saddleback Cove / P.O. Box 1088
Travelers Rest, SC 29690

Model No.

BL-5707-01CRWH4

Item No.

Travelers Rest, SC: 800-476-4103 • Simi Valley, CA: 800-423-0150 • Fax: 864-834-3518 • www.tsbrass.com



ITEM NO.	SALES NO.	DESCRIPTION
1	B-0198	Serrated Tip w/ Washer
2	001051-45	Washer
3	001507-40	1/2" NPT x 7 1/8" Riser
4	000387-40	Nozzle
5	001359-40	Hex Bushing, 1/2" NPT Male x 3/8" NPT Female
6	B-0969	1/2" NPT Vacuum Breaker
7	011278-25	Quarter-Turn Cerama Cartridge, RTC
8	B-WH4	4" Wrist Action Handle
9	000925-45	Lab Handle Screw
10	001191-45	Green Index - CW
11	150A	1/4" NPT Tailpiece & Nut
12	002954-45	Shank Lock Nut
13	000999-45	Brass Lock Washer
14	144L	Black Plastic Gasket
15	001408-45	5/16" Brass Ball

Product Specifications:

Single Hole Single Temperature VR Deck Mount Laboratory Faucet, Quarter-Turn Cerama Cartridge, 4" Wrist Action Handle, Rigid Vacuum Breaker Nozzle, Serrated Tip Outlet & 1/2" NPSM Male Inlet

Product Compliance:

ASME A112.18.1 / CSA B125.1
NSF 61 - Section 9
NSF 372 (Low Lead Content)
ANSI A117.1 (ADA)
ASSE 1001 (VB)