



T&S BRASS AND BRONZE WORKS, INC.

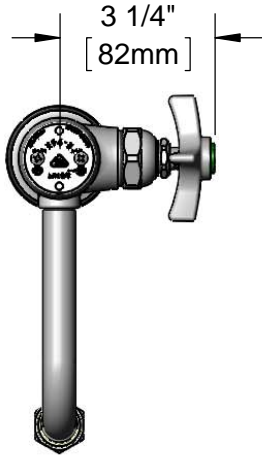
2 Saddleback Cove / P.O. Box 1088
Travelers Rest, SC 29690

Model No.

BL-5705-08

Item No.

Travelers Rest, SC: 800-476-4103 • Simi Valley, CA: 800-423-0150 • Fax: 864-834-3518 • www.tsbrass.com



ADA Compliant

This Space for Architect/Engineer Approval

Job Name _____ Date _____

Model Specified _____ Quantity _____

Customer/Wholesaler _____

Contractor _____

Architect/Engineer _____

B-0968
3/8" NPT
Vacuum Breaker

Rigid Nozzle w/
Vacuum Breaker &
B-0198
Serrated Tip Outlet

Eterna Cartridge &
4-Arm Lab Handle w/
Color Coded Index

3/8" NPT x 7"
Riser

5 11/16"
[144mm]

12 11/16"
[323mm]

6 7/16"
[164mm]

4"
[101mm]

Mounting Surface

2 7/16"
[61mm]

Deck Gasket

1/2" NPSM
Male Inlet

1 9/16"
[40mm]
Maximum
Thickness

150A
Optional Tailpiece & Nut
For 1/4" NPT Connection
(Included)

Rough-In Requirement:
Ø 1" [25mm] Mounting Hole

Product Specifications:

Single Hole Single Temperature Deck Mount Laboratory Faucet, Eterna Cartridge, 4-Arm Lab Handle, Rigid Vacuum Breaker Nozzle, Serrated Tip & 1/2" NPSM Male Inlet

Product Compliance:

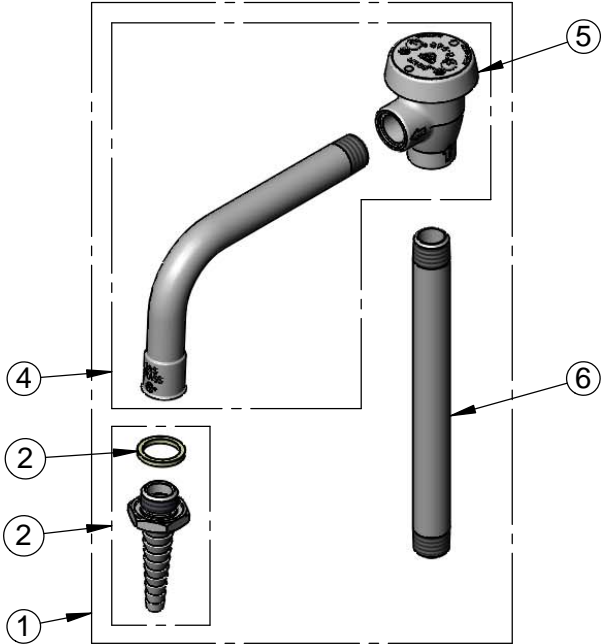
ASME A112.18.1 / CSA B125.1
NSF 61 - Section 9
NSF 372 (Low Lead Content)
ANSI A117.1 (ADA)
ASSE 1001 (VB)



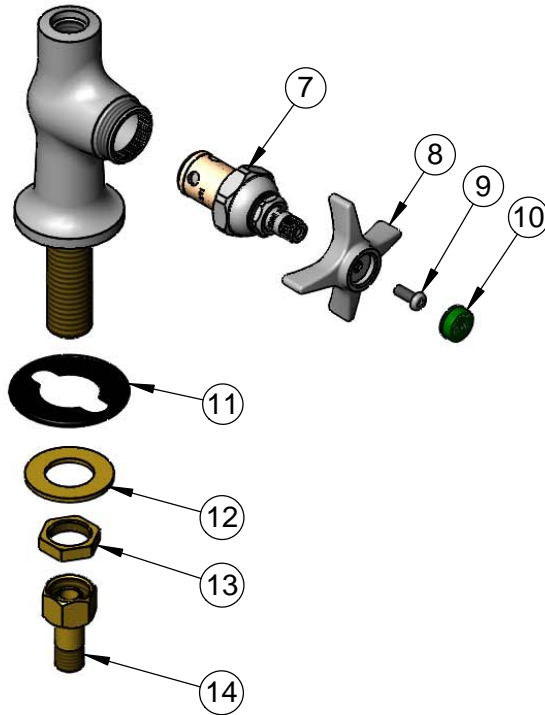
T&S BRASS AND BRONZE WORKS, INC.
 2 Saddleback Cove / P.O. Box 1088
 Travelers Rest, SC 29690

Model No.
BL-5705-08
 Item No.

Travelers Rest, SC: 800-476-4103 • Simi Valley, CA: 800-423-0150 • Fax: 864-834-3518 • www.tsbrass.com



ITEM NO.	SALES NO.	DESCRIPTION
1	BL-5560-01	Rigid Nozzle w/ Vacuum Breaker, Serrated Tip & 3/8" NPT x 7" Riser Inlet
2	001051-45	Washer
3	007283-40	Nozzle w/ Vacuum Breaker Only
5	B-0968	3/8" NPT Vacuum Breaker
6	000363-40	3/8" NPT x 7" Riser
7	005960-40	Eterna Cartridge, RTC
8	000059-40	4-Arm Lab Handle
9	000925-45	Lab Handle Screw
10	001191-45	Green Index - CW
11	144L	Black Plastic Deck Gasket
12	000999-45	Brass Washer
13	002954-45	Shank Lock Nut
14	150A	1/4" NPT Tailpiece & Nut
37	BL-5550-04	Serrated Tip



Product Specifications:

Single Hole Single Temperature Deck Mount Laboratory Faucet, Eterna Cartridge, 4-Arm Lab Handle, Rigid Vacuum Breaker Nozzle, Serrated Tip & 1/2" NPSM Male Inlet

Product Compliance:

ASME A112.18.1 / CSA B125.1
 NSF 61 - Section 9
 NSF 372 (Low Lead Content)
 ANSI A117.1 (ADA)
 ASSE 1001 (VB)