



T&S BRASS AND BRONZE WORKS, INC.

2 Saddleback Cove / P.O. Box 1088
Travelers Rest, SC 29690

Model No.

BL-5705-08-VR

Item No.

Travelers Rest, SC: 800-476-4103 • Simi Valley, CA: 800-423-0150 • Fax: 864-834-3518 • www.tsbrass.com



ADA Compliant

This Space for Architect/Engineer Approval

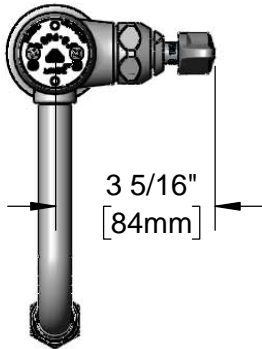
Job Name _____ Date _____

Model Specified _____ Quantity _____

Customer/Wholesaler _____

Contractor _____

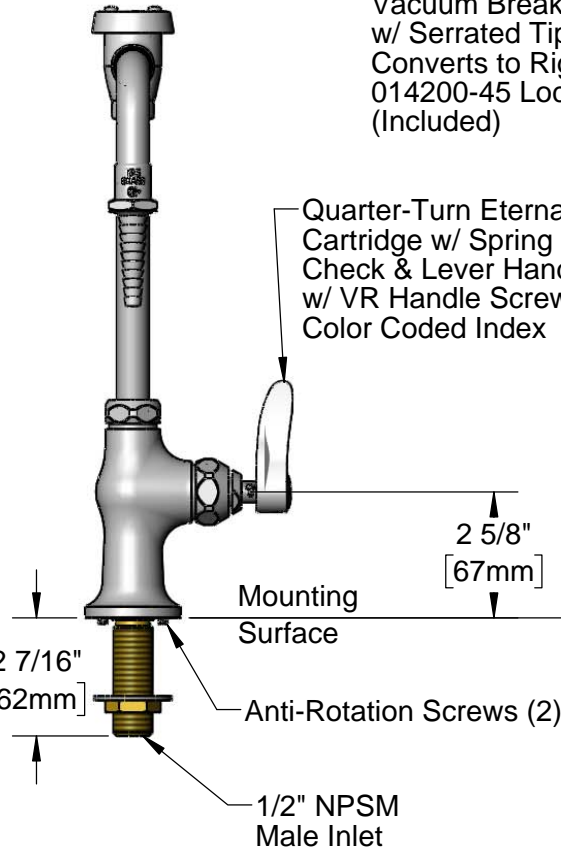
Architect/Engineer _____



3 5/16"
[84mm]

Vandal Resistant Swivel Vacuum Breaker Nozzle w/ Serrated Tip Outlet. Converts to Rigid w/ 014200-45 Lock Washer (Included)

Quarter-Turn Eterna Cartridge w/ Spring Check & Lever Handle w/ VR Handle Screw & Color Coded Index



Mounting Surface

Anti-Rotation Screws (2)

1/2" NPSM Male Inlet

2 7/16"
[62mm]

2 5/8"
[67mm]

6 1/2"
[165mm]

5 11/16"
[144mm]

Ø2"
[51mm] Flange

12 3/4"
[324mm]

150A Optional Tailpiece & Nut For 1/4" NPT Connection (Included)

1 5/8"
[41mm] Maximum Thickness

Ø1/4"
[6mm]

1 1/4"
[32mm]

5/8"
[16mm]

Base Drilling Detail

Rough-In Requirement:
Ø1" [25mm] Mounting Hole

Product Specifications:

Single Hole Single Temperature Deck Mount Vandal Resistant Laboratory Faucet, Quarter-Turn Eterna Cartridge w/ Spring Check, Lever Handle w/ Vandal Resistant Screw, Swivel/Rigid Vacuum Breaker Nozzle, Serrated Tip Outlet & 1/2" NPSM Male Inlet

Product Compliance:

ASME A112.18.1 / CSA B125.1
NSF 61 - Section 9
NSF 372 (Low Lead Content)
ANSI A117.1 (ADA)
ASSE 1001 (VB)



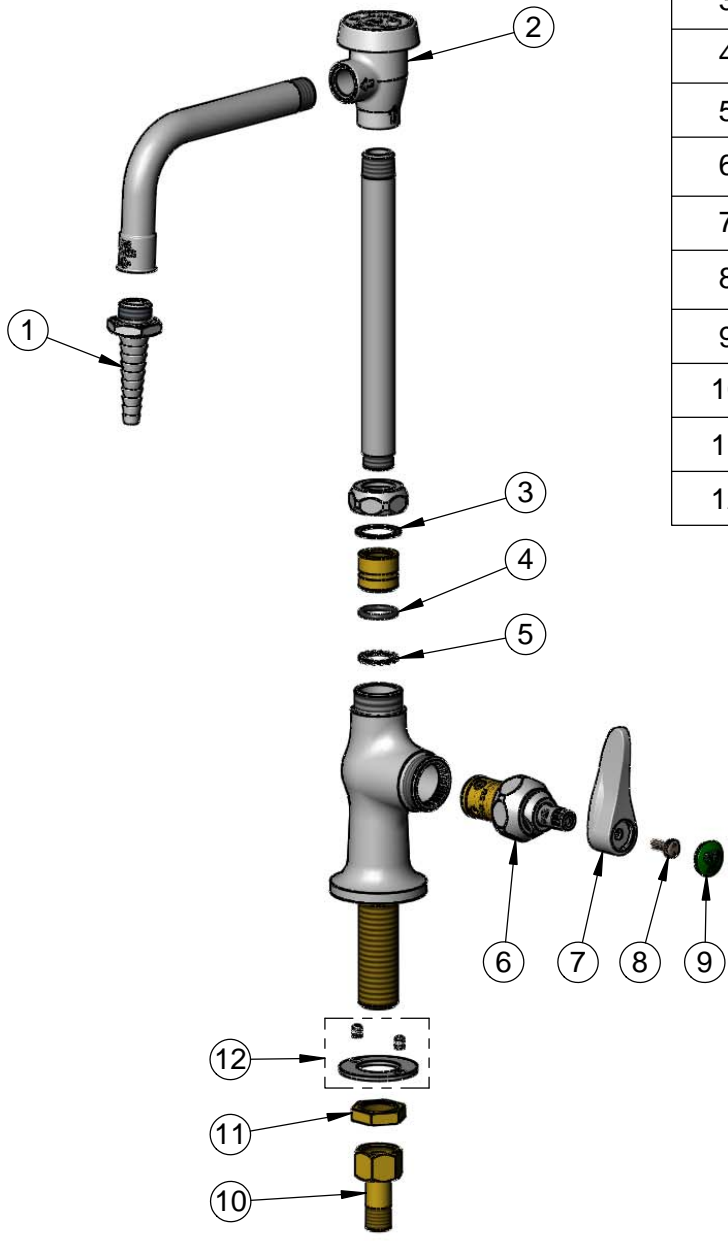
T&S BRASS AND BRONZE WORKS, INC.
 2 Saddleback Cove / P.O. Box 1088
 Travelers Rest, SC 29690

Model No.
BL-5705-08-VR

Item No.

Travelers Rest, SC: 800-476-4103 • Simi Valley, CA: 800-423-0150 • Fax: 864-834-3518 • www.tsbrass.com

ITEM NO.	SALES NO.	DESCRIPTION
1	BL-5550-04	Serrated Tip
2	B-0968	3/8" NPT Vacuum Breaker
3	001023-45	Swivel Binding Washer
4	001074-45	O-ring
5	014200-45	Star Washer, Anti-Rotation
6	012443-40NS	Quarter-Turn Eterna Cartridge w/ Spring Check, RTC
7	001638-45NS	Lever Handle (New Style)
8	VRS-2	VR Wrist Action Handle Screw (2) w/ Spanner Bit
9	001191-45NS	Green "CW" Lab Button Index
10	150A	1/4" NPT Tailpiece & Nut
11	002954-45	Shank Lock Nut
12	012698-45	Anti-Rotation Screws (2) & Washer



014075-45
 #10 Spanner Bit

Product Specifications:
 Single Hole Single Temperature Deck Mount Vandal Resistant Laboratory Faucet, Quarter-Turn Eterna Cartridge w/ Spring Check, Lever Handle w/ Vandal Resistant Screw, Swivel/Rigid Vacuum Breaker Nozzle, Serrated Tip Outlet & 1/2" NPSM Male Inlet

Product Compliance:
 ASME A112.18.1 / CSA B125.1
 NSF 61 - Section 9
 NSF 372 (Low Lead Content)
 ANSI A117.1 (ADA)
 ASSE 1001 (VB)