



T&S BRASS AND BRONZE WORKS, INC.

2 Saddleback Cove / P.O. Box 1088
Travelers Rest, SC 29690

Model No.

BL-5705-04

Item No.

Travelers Rest, SC: 800-476-4103 • Simi Valley, CA: 800-423-0150 • Fax: 864-834-3518 • www.tsbrass.com



ADA Compliant

This Space for Architect/Engineer Approval

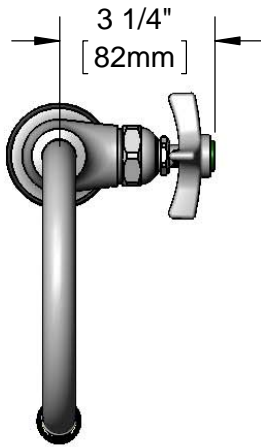
Job Name _____ Date _____

Model Specified _____ Quantity _____

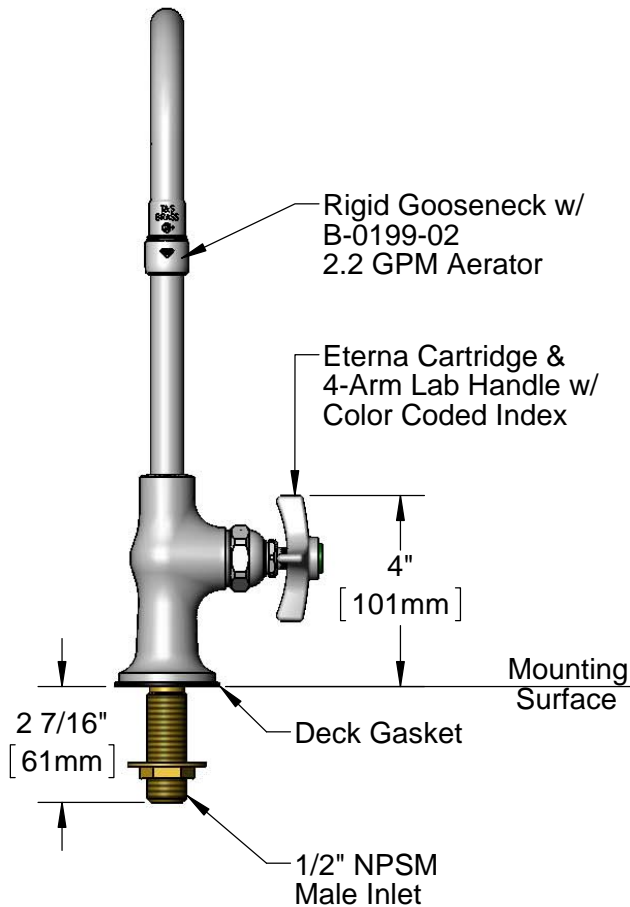
Customer/Wholesaler _____

Contractor _____

Architect/Engineer _____



3 1/4"
[82mm]



Rigid Gooseneck w/
B-0199-02
2.2 GPM Aerator

Eterna Cartridge &
4-Arm Lab Handle w/
Color Coded Index

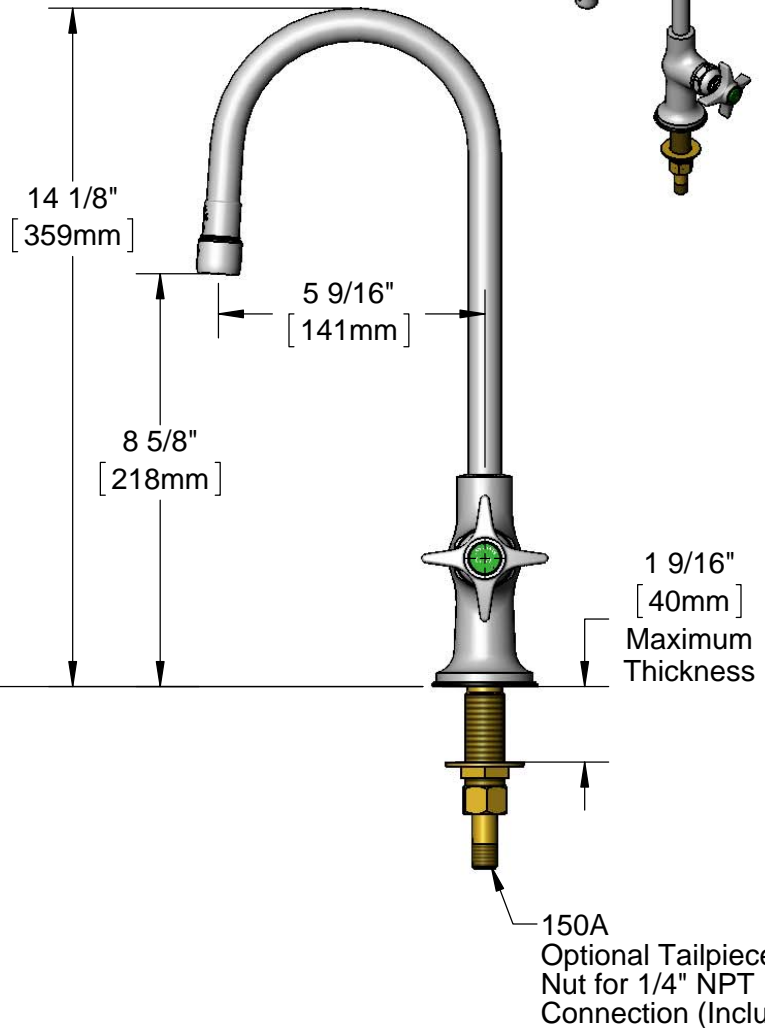
4"
[101mm]

Deck Gasket

1/2" NPSM
Male Inlet

Mounting
Surface

2 7/16"
[61mm]



14 1/8"
[359mm]

5 9/16"
[141mm]

8 5/8"
[218mm]

1 9/16"
[40mm]
Maximum
Thickness

150A
Optional Tailpiece &
Nut for 1/4" NPT
Connection (Included)

Rough-In Requirement:
Ø 1" [25mm] Mounting Hole

Product Specifications:
Single Hole Single Temperature Deck Mount Laboratory Faucet, Eterna
Cartridge, 4-Arm Lab Handle, Rigid Gooseneck w/ 2.2 GPM Aerator & 1/2"
NPSM Male Inlet

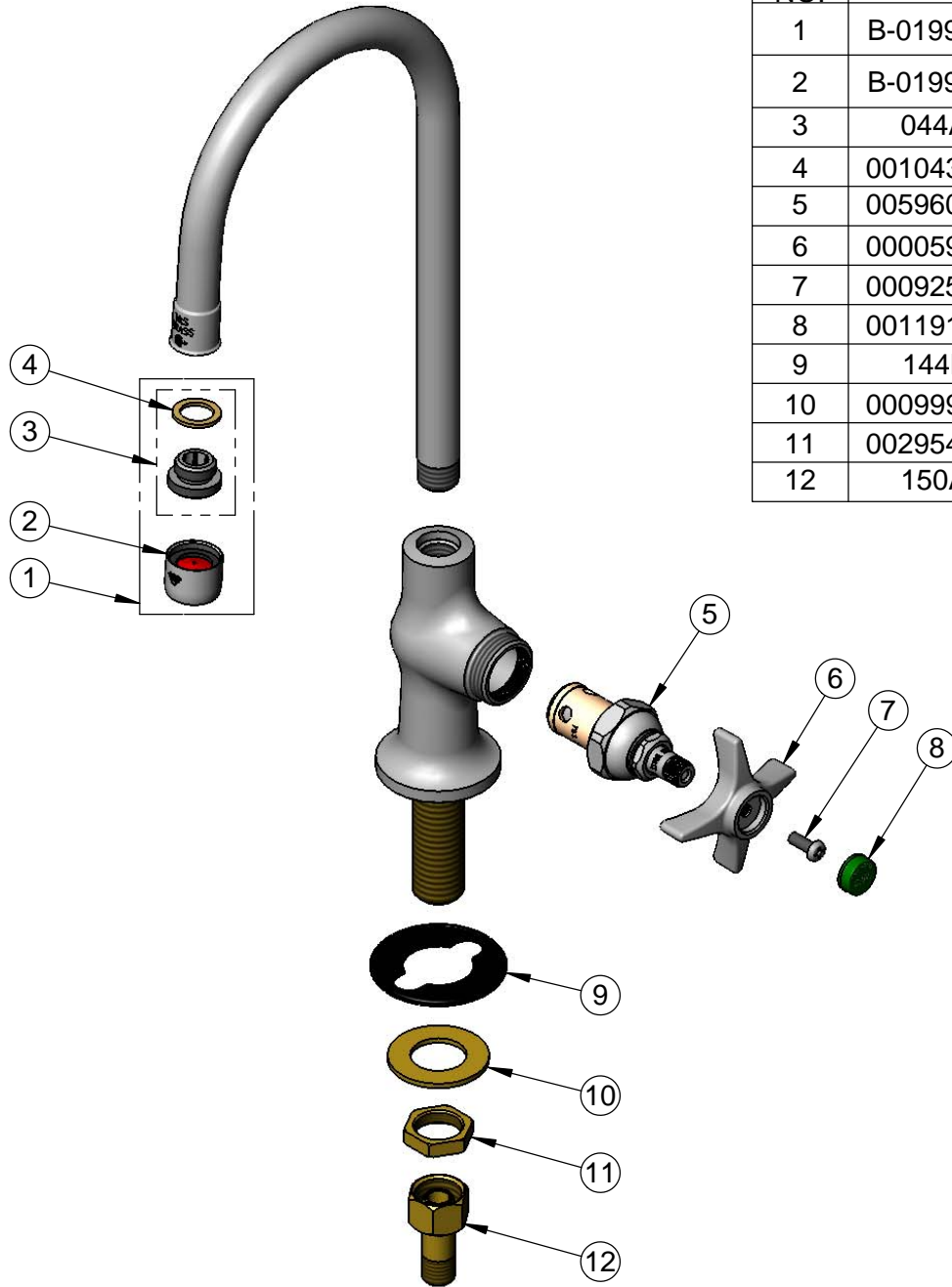
Product Compliance:
ASME A112.18.1 / CSA B125.1
NSF 61 - Section 9
NSF 372 (Low Lead Content)
ANSI A117.1 (ADA)



T&S BRASS AND BRONZE WORKS, INC.
 2 Saddleback Cove / P.O. Box 1088
 Travelers Rest, SC 29690

Model No.
BL-5705-04
 Item No.

Travelers Rest, SC: 800-476-4103 • Simi Valley, CA: 800-423-0150 • Fax: 864-834-3518 • www.tsbrass.com



ITEM NO.	SALES NO.	DESCRIPTION
1	B-0199-02	2.2 GPM Aerator, 3/8" NPSM
2	B-0199-01	2.2 GPM Aerator, 55/64"-27 UN Female
3	044A	3/8" to Aerator Adapter
4	001043-45	Washer
5	005960-40	Eterna Cartridge, RTC
6	000059-40	4-Arm Lab Handle
7	000925-45	Lab Handle Screw
8	001191-45	Green Index - CW
9	144L	Black Plastic Deck Gasket
10	000999-45	Brass Lock Washer
11	002954-45	Shank Lock Nut
12	150A	1/4" NPT Tailpiece & Nut

Product Specifications:
 Single Hole Single Temperature Deck Mount Laboratory Faucet, Eterna Cartridge, 4-Arm Lab Handle, Rigid Gooseneck w/ 2.2 GPM Aerator & 1/2" NPSM Male Inlet

Product Compliance:
 ASME A112.18.1 / CSA B125.1
 NSF 61 - Section 9
 NSF 372 (Low Lead Content)
 ANSI A117.1 (ADA)