



T&S BRASS AND BRONZE WORKS, INC.

2 Saddleback Cove / P.O. Box 1088
Travelers Rest, SC 29690

Model No.

BL-5704-08WH4

Item No.

Travelers Rest, SC: 800-476-4103 • Simi Valley, CA: 800-423-0150 • Fax: 864-834-3518 • www.tsbrass.com



ADA Compliant

This Space for Architect/Engineer Approval

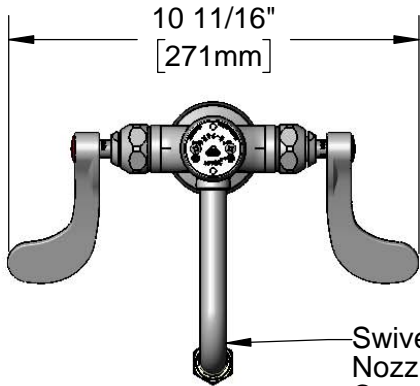
Job Name _____ Date _____

Model Specified _____ Quantity _____

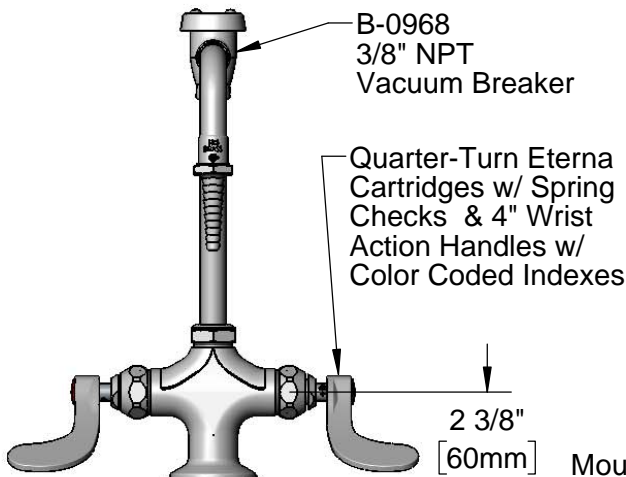
Customer/Wholesaler _____

Contractor _____

Architect/Engineer _____



Swivel Vacuum Breaker
Nozzle w/ Serrated Tip Outlet.
Converts to Rigid w/
014200-45 Lock Washer
(Included).



B-0968
3/8" NPT
Vacuum Breaker

Quarter-Turn Eterna
Cartridges w/ Spring
Checks & 4" Wrist
Action Handles w/
Color Coded Indexes

2 3/8"
[60mm]

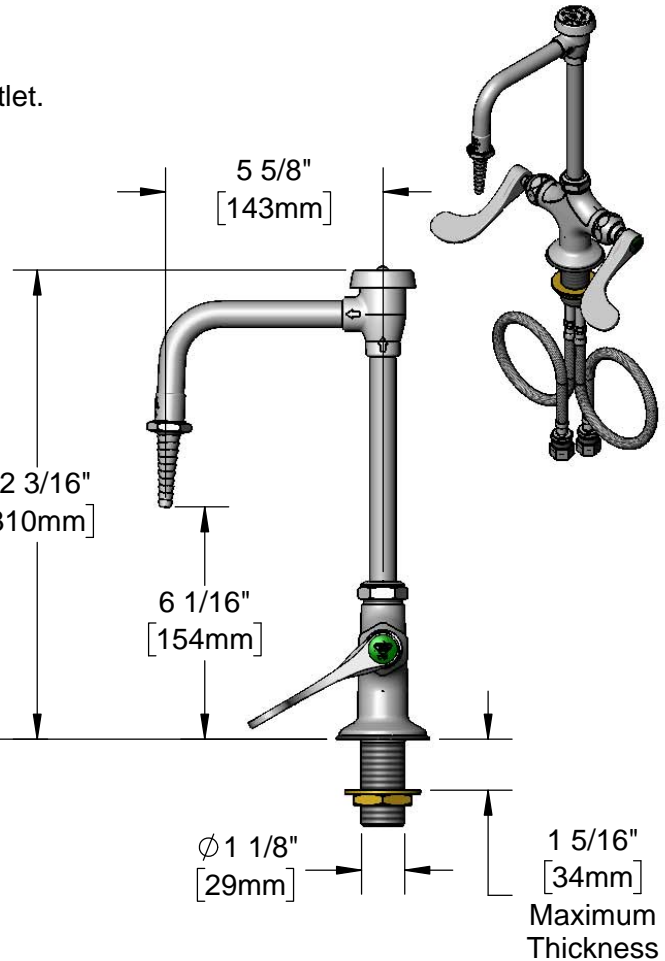
Mounting
Surface

Ø 2 7/16" [62mm]
Deck Gasket



18" Flexible
Stainless Steel
Supply Hoses

Compression Fittings
for 5/8" O.D. Copper Tubing
(Remove Compression Nut
for 1/2" NPSM Male)



5 5/8"
[143mm]

12 3/16"
[310mm]

6 1/16"
[154mm]

Ø 1 1/8"
[29mm]

1 5/16"
[34mm]
Maximum
Thickness

Rough-In Requirement:
Ø 1 1/2" [38mm] Mounting Hole

Product Specifications:

Single Hole Deck Mount Mixing Faucet, Quarter-Turn Eterna Cartridges w/ Spring Checks, 4" Wrist Action Handles, Swivel Vacuum Breaker Nozzle, Serrated Tip & 18" Flexible Stainless Steel Supply Hoses w/ 1/2" NPSM Male Inlets

Product Compliance:

ASME A112.18.1 / CSA B125.1
NSF 61 - Section 9
NSF 372 (Low Lead Content)
ANSI A117.1 (ADA)
ASSE 1001 (VB)



T&S BRASS AND BRONZE WORKS, INC.

2 Saddleback Cove / P.O. Box 1088
Travelers Rest, SC 29690

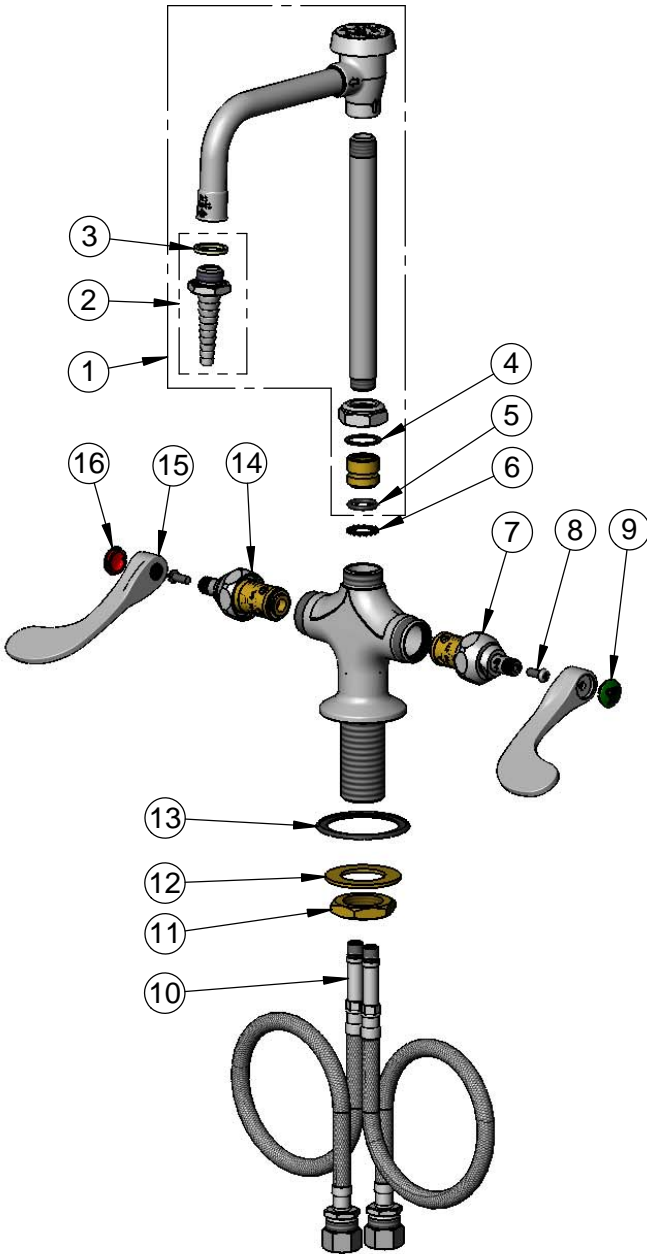
Model No.

BL-5704-08WH4

Item No.

Travelers Rest, SC: 800-476-4103 • Simi Valley, CA: 800-423-0150 • Fax: 864-834-3518 • www.tsbrass.com

| ITEM NO. | SALES NO. | DESCRIPTION |
|----------|-------------|--|
| 1 | BL-5560-03 | Swivel Vacuum Breaker Nozzle w/ Serrated Tip |
| 2 | B-0198 | Serrated Tip w/ Washer |
| 3 | 001051-45 | Washer |
| 4 | 001023-45 | Swivel Binding Washer |
| 5 | 001074-45 | O-ring |
| 6 | 014200-45 | Star Washer, Anti-Rotation |
| 7 | 012442-40NS | Quarter-Turn Eterna Cartridge w/ Spring Check, LTC |
| 8 | 000925-45 | Lab Handle Screw |
| 9 | 001191-45NS | Green "CW" Lab Button Index |
| 10 | 012534-45 | 18" Flexible Supply Hose (2) |
| 11 | 000965-45 | Lock Nut |
| 12 | 002290-45 | Lock Washer |
| 13 | 145L | Black Plastic Gasket |
| 14 | 012443-40NS | Quarter-Turn Eterna Cartridge w/ Spring Check, RTC |
| 15 | B-WH4-NS | Wrist Action Handle (New Style) |
| 16 | 019736-45 | Red "HW" Lab Button Index |



Product Specifications:

Single Hole Deck Mount Mixing Faucet, Quarter-Turn Eterna Cartridges w/ Spring Checks, 4" Wrist Action Handles, Swivel Vacuum Breaker Nozzle, Serrated Tip & 18" Flexible Stainless Steel Supply Hoses w/ 1/2" NPSM Male Inlets

Product Compliance:

ASME A112.18.1 / CSA B125.1
NSF 61 - Section 9
NSF 372 (Low Lead Content)
ANSI A117.1 (ADA)
ASSE 1001 (VB)