



**T&S BRASS AND BRONZE WORKS, INC.**  
 2 Saddleback Cove / P.O. Box 1088  
 Travelers Rest, SC 29690

Model No.

**BL-5550-25**

Item No.

Travelers Rest, SC: 800-476-4103 • Simi Valley, CA: 800-423-0150 • Fax: 864-834-3518 • www.tsbrass.com

This Space for Architect/Engineer Approval

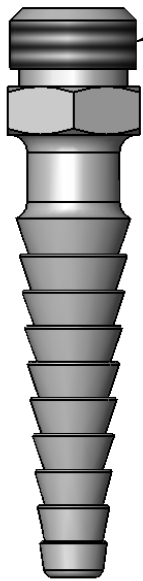
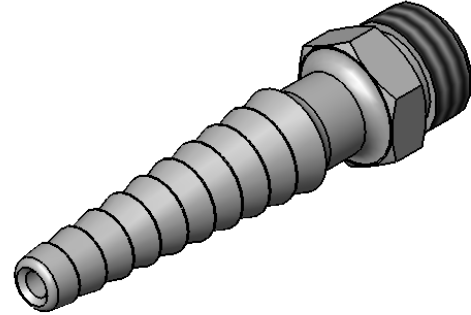
Job Name \_\_\_\_\_ Date \_\_\_\_\_

Model Specified \_\_\_\_\_ Quantity \_\_\_\_\_

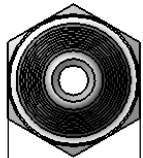
Customer/Wholesaler \_\_\_\_\_

Contractor \_\_\_\_\_

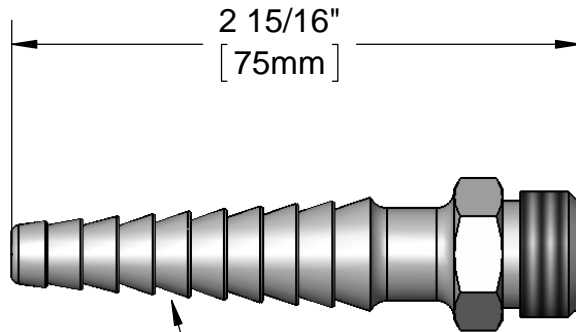
Architect/Engineer \_\_\_\_\_



3/8-18 NPT  
Male Thread



11/16"  
[17mm]



2 15/16"  
[75mm]

10 Serrations, Accepts  
Plastic or Rubber Tubing  
Up to 1/2" I.D.

Note: BL-5550-25 Serrated Tip is Used  
on Side Outlets of Turrets, Outlets or  
Panel Flanges

Product Specifications:  
Serrated Tip Outlet w/ 3/8" NPT Male Thread

Product Compliance:  
ASME A112.18.1 / CSA B125.1  
NSF 61 - Section 9  
NSF 372 (Low Lead Content)