

T&S BRASS AND BRONZE WORKS, INC.
 2 SADDLEBACK COVE / P.O. BOX 1088 / TRAVELERS REST, SC 29690
 PHONE 800-476-4103 FAX 864- 834-3518



REG.#A2601
 ISO #9002

Model No.

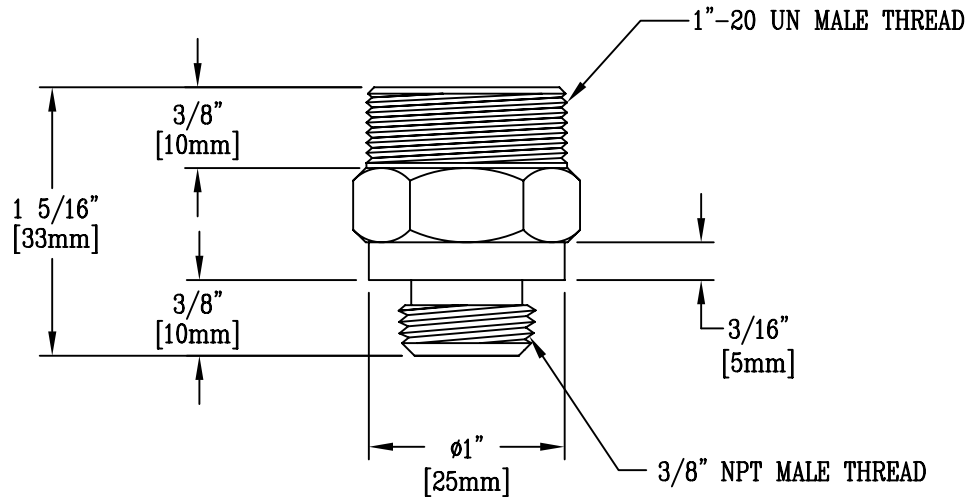
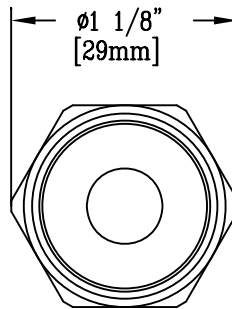
BL-5550-23

Item No.:

Job Name:

Architect/Engineer Approval:

Notes:



Product Description:

1"-20UN MALE THREAD x 3/8"-18 NPT MALE
 THREAD RIGID TO SWIVEL ADAPTER

Drawn:

KJG

Checked

DHL

Scale:

1' = 1'

Approved

JHB

Date:

11/11/08