

T&S BRASS AND BRONZE WORKS, INC.

2 SADDLEBACK COVE / P.O. BOX 1088 / TRAVELERS REST, SC 29690

PHONE 800-476-4103

FAX 864- 834-3518



REG.#A2601
ISO #9001

Model No.

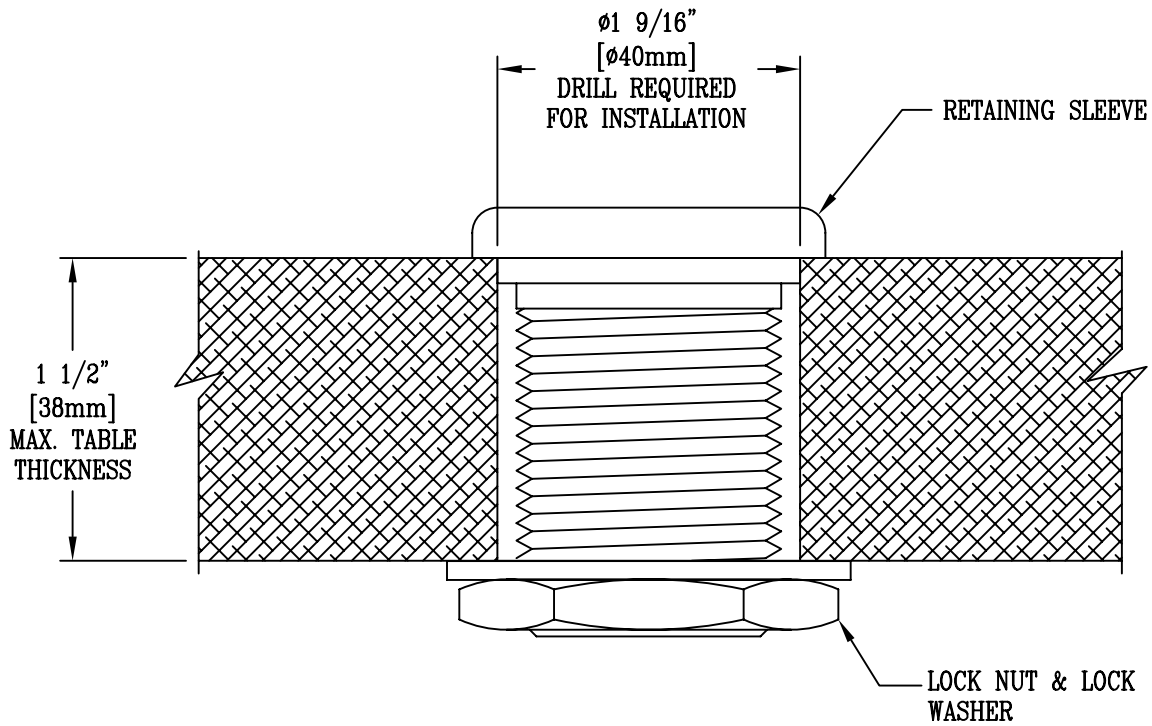
BL-5200-02

Item No.:

Job Name:

Architect/Engineer Approval:

Notes:



Product Description:

LEDGE RETAINING SLEEVE & LOCKNUT ASSEMBLY

Drawn:

KJG

Approved

JHB

Checked

ARH

Scale:

1 : 1

Date:

10/16/08