



T&S BRASS AND BRONZE WORKS, INC.
 2 Saddleback Cove / P.O. Box 1088
 Travelers Rest, SC 29690

Model No.
BL-4720-03

Item No.

Travelers Rest, SC: 800-476-4103 • Simi Valley, CA: 800-423-0150 • Fax: 864-834-3518 • www.tsbrass.com

This Space for Architect/Engineer Approval

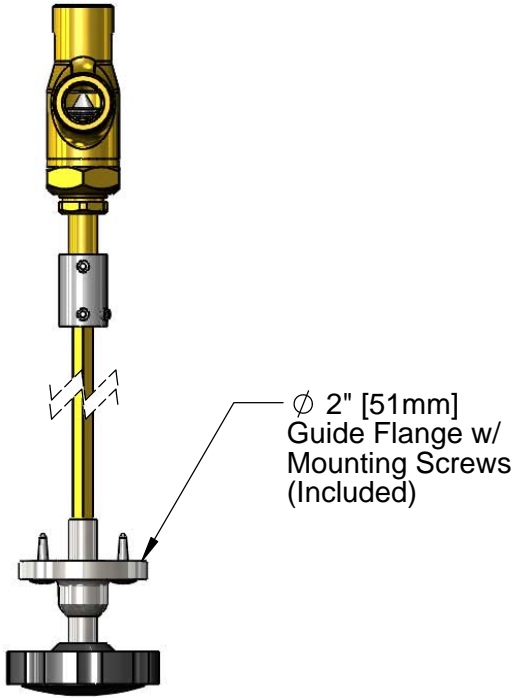
Job Name _____ Date _____

Model Specified _____ Quantity _____

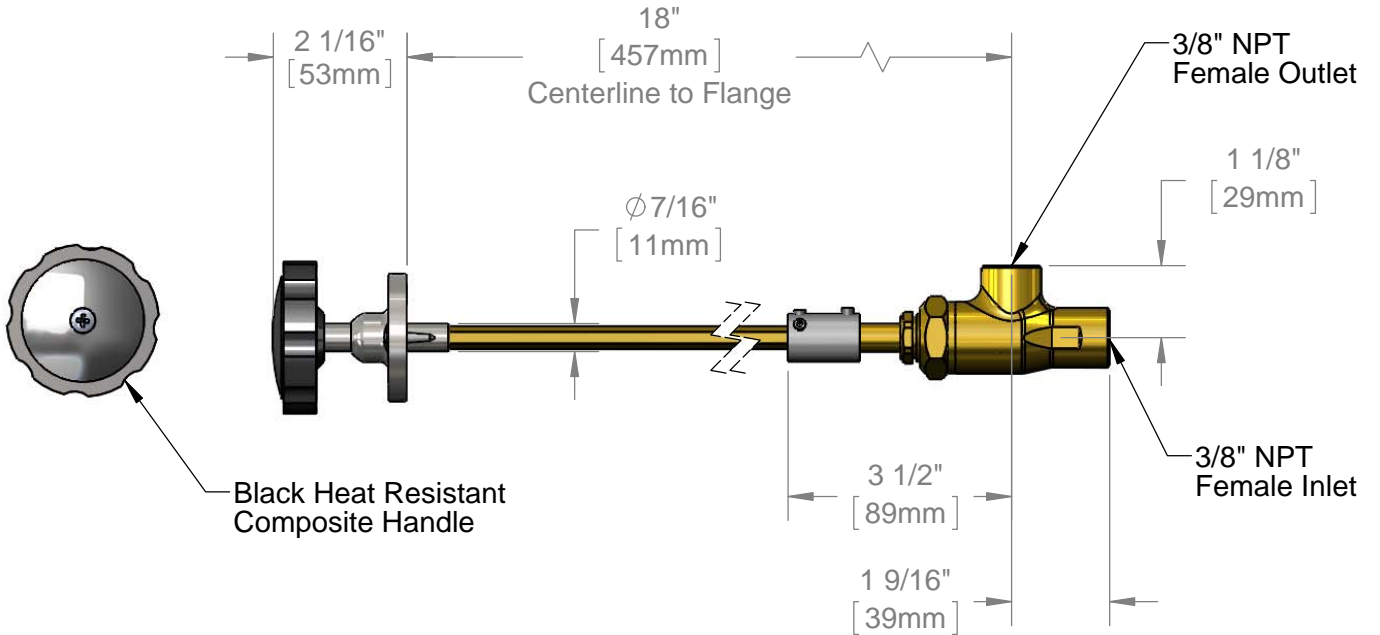
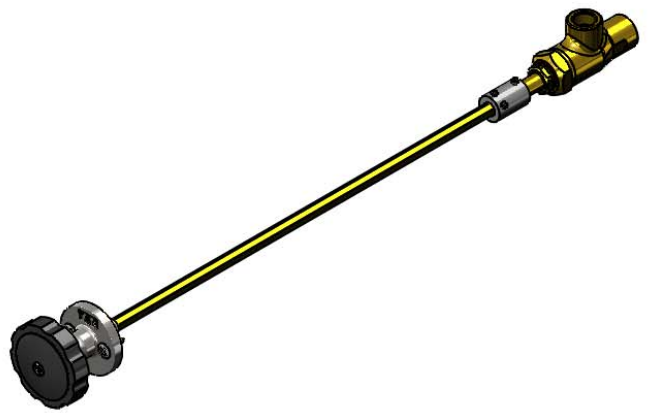
Customer/Wholesaler _____

Contractor _____

Architect/Engineer _____



Ø 2" [51mm]
 Guide Flange w/
 Mounting Screws
 (Included)



Product Specifications:
 Remote Control Angled Valve for Steam w/ 18" Centerline to Flange,
 Heat Resistant Handle, Guide Flange w/ Mounting Screws & 3/8" NPT
 Inlet & Outlet

Drawn DHL	Checked DMH	Approved JHB
Scale: 1:3		Date: 09/06/13



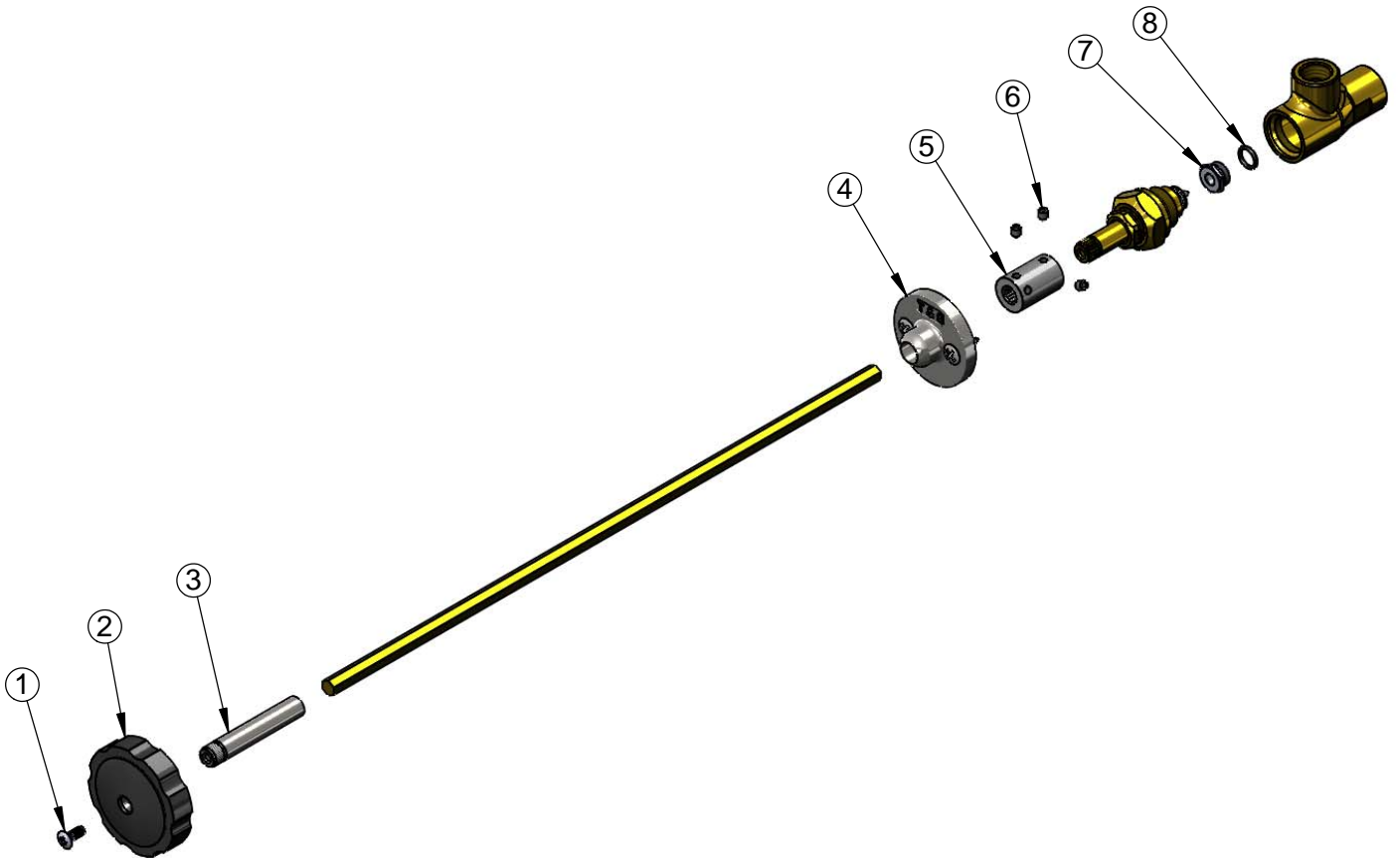
T&S BRASS AND BRONZE WORKS, INC.
 2 Saddleback Cove / P.O. Box 1088
 Travelers Rest, SC 29690

Model No.
BL-4720-03

Item No.

Travelers Rest, SC: 800-476-4103 • Simi Valley, CA: 800-423-0150 • Fax: 864-834-3518 • www.tsbrass.com

ITEM NO.	SALES NO.	DESCRIPTION
1	000922-45	Lever Handle Screw
2	001149-20	Handle, Heat Resistant, Black
3	000784-40	Broached Sleeve
4	BL-4740-01	Guide Bushing w/ Mounting Screws, Wood Furniture
5	000642-20	Coupling Remote
6	001584-45	Set Screw, 10-32 UN
7	000529-40	Seat
8	006574-45	O-ring



Product Specifications:

Remote Control Angled Valve for Steam w/ 18" Centerline to Flange, Heat Resistant Handle, Guide Flange w/ Mounting Screws & 3/8" NPT Inlet & Outlet

Drawn

DHL

Checked

DMH

Approved

JHB

Scale:

NTS

Date:

09/06/13