



T&S BRASS AND BRONZE WORKS, INC.
 2 Saddleback Cove / P.O. Box 1088
 Travelers Rest, SC 29690

Model No.
BL-4720-02

Item No.

Travelers Rest, SC: 800-476-4103 • Simi Valley, CA: 800-423-0150 • Fax: 864-834-3518 • www.tsbrass.com



ADA Compliant

This Space for Architect/Engineer Approval

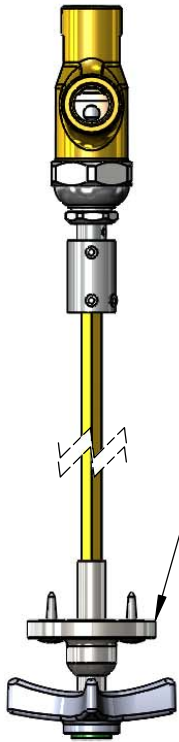
Job Name _____ Date _____

Model Specified _____ Quantity _____

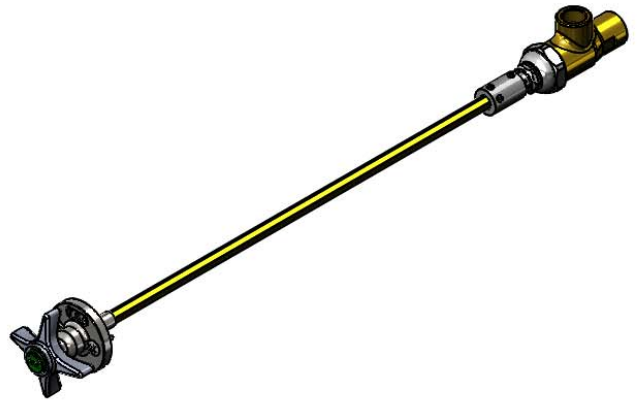
Customer/Wholesaler _____

Contractor _____

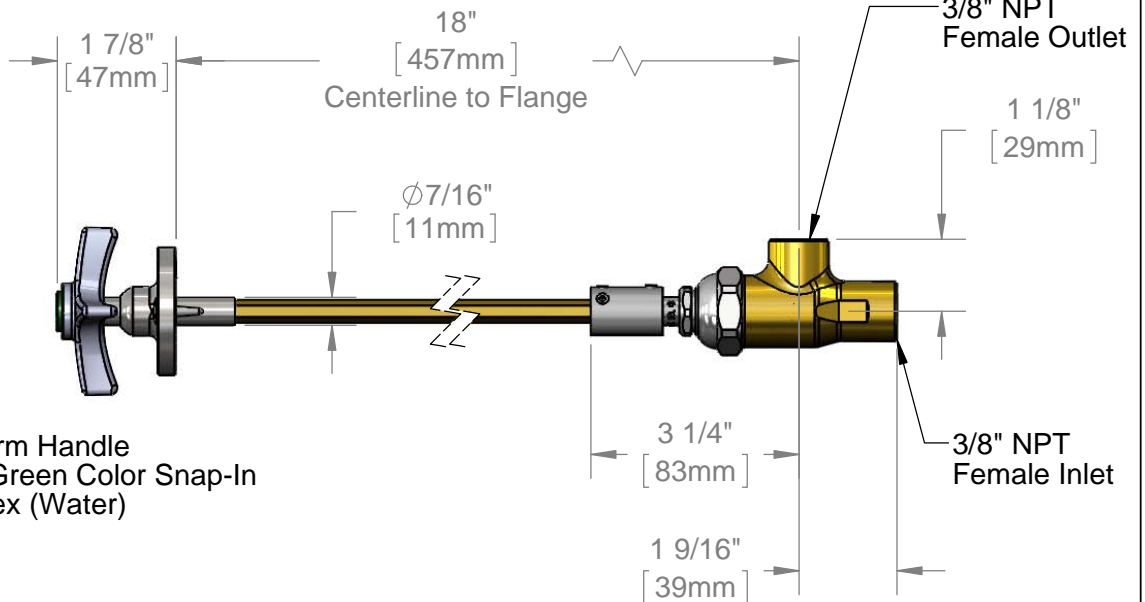
Architect/Engineer _____



Ø 2" [51mm]
 Guide Flange w/
 Mounting Screws
 (Included)



4-Arm Handle
 w/ Green Color Snap-In
 Index (Water)



Product Specifications:
 Remote Control Angled Valve for Water w/ 18" Centerline to Flange,
 4-Arm Handle, Guide Flange w/ Mounting Screws & 3/8" NPT
 Inlet & Outlet

Drawn DHL	Checked DMH	Approved JHB
Scale: 1:3		Date: 09/06/13



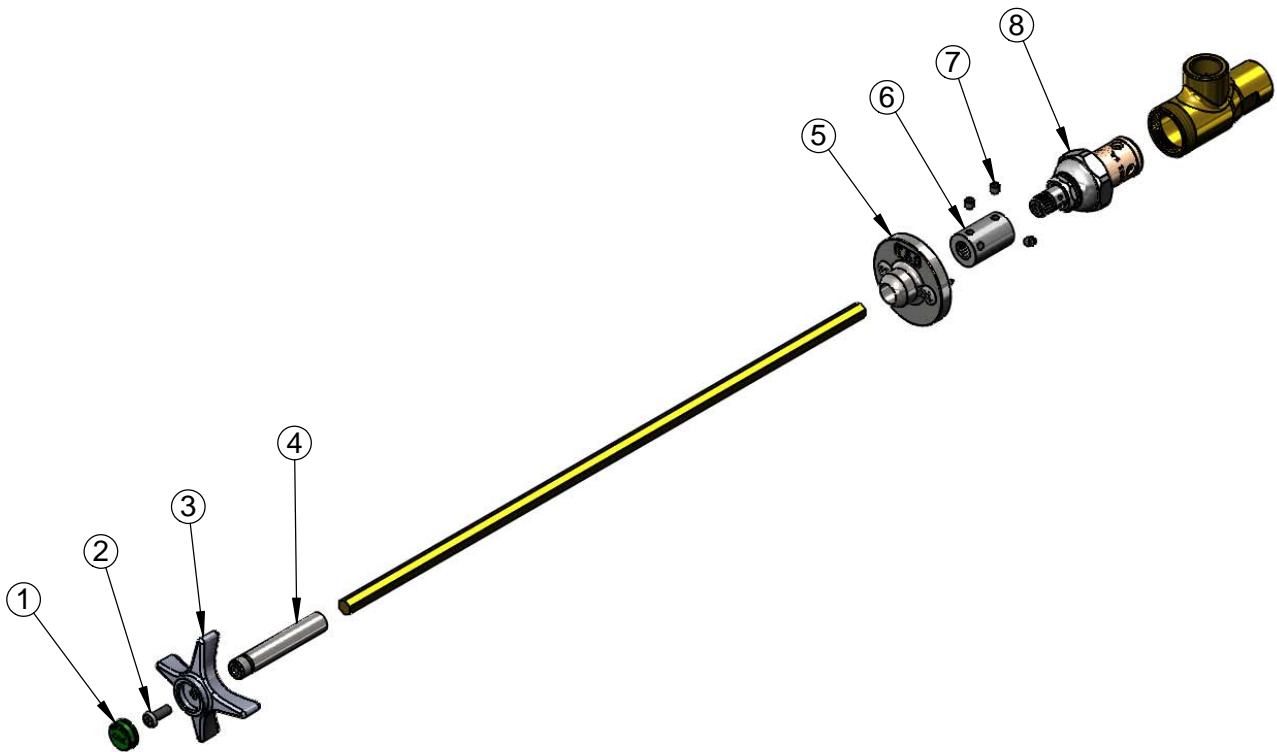
T&S BRASS AND BRONZE WORKS, INC.
 2 Saddleback Cove / P.O. Box 1088
 Travelers Rest, SC 29690

Model No.
BL-4720-02

Item No.

Travelers Rest, SC: 800-476-4103 • Simi Valley, CA: 800-423-0150 • Fax: 864-834-3518 • www.tsbrass.com

ITEM NO.	SALES NO.	DESCRIPTION
1	001191-45	Green CW Snap-In Index
2	000925-45	Lab Handle Screw
3	000059-40	4-Arm Lab Handle
4	000784-40	Broached Sleeve
5	BL-4740-01	Guide Flange w/ Mounting Screws, Wood Furniture
6	000642-20	Coupling Remote
7	001584-45	Set Screw, 10-32 UN
8	005960-40	Eterna Cartridge, RTC



Product Specifications:

Remote Control Angled Valve for Water w/ 18" Centerline to Flange,
 4-Arm Handle, Guide Flange w/ Mounting Screws & 3/8" NPT
 Inlet & Outlet

Drawn

DHL

Checked

DMH

Approved

JHB

Scale:

NTS

Date:

09/06/13