



T&S BRASS AND BRONZE WORKS, INC.
 2 Saddleback Cove / P.O. Box 1088
 Travelers Rest, SC 29690

Model No.
BL-4710-01

Item No.

Travelers Rest, SC: 800-476-4103 • Simi Valley, CA: 800-423-0150 • Fax: 864-834-3518 • www.tsbrass.com



ADA Compliant

This Space for Architect/Engineer Approval

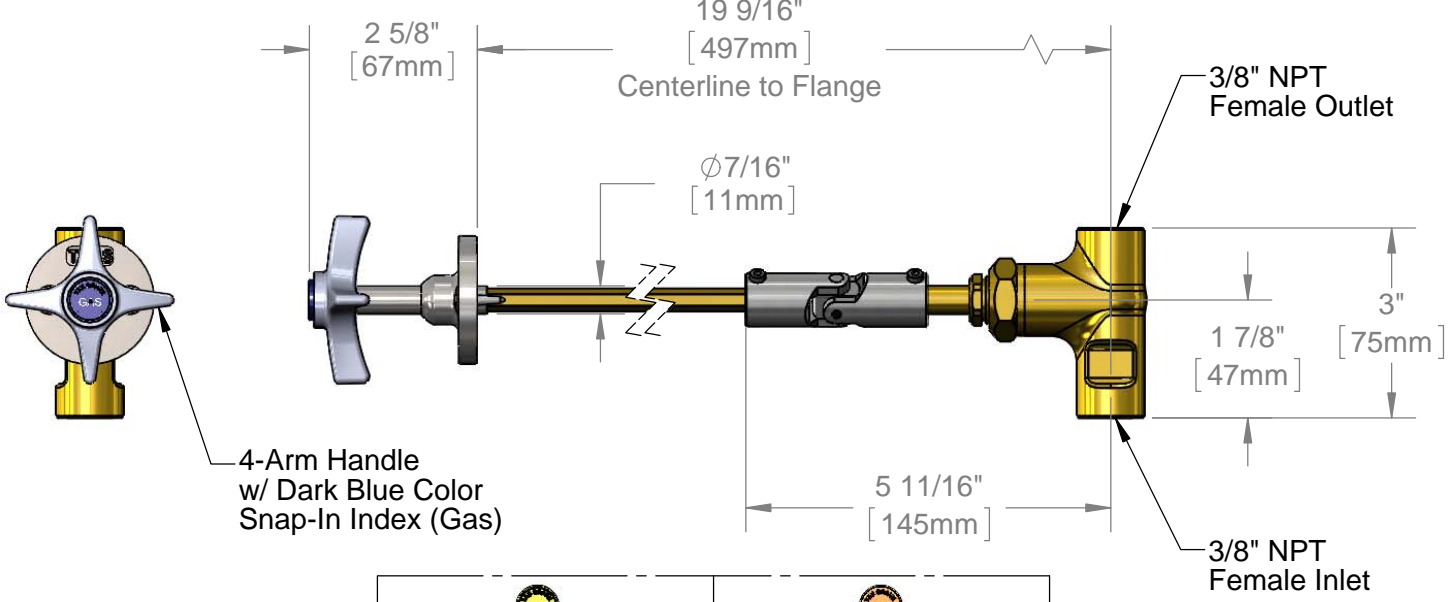
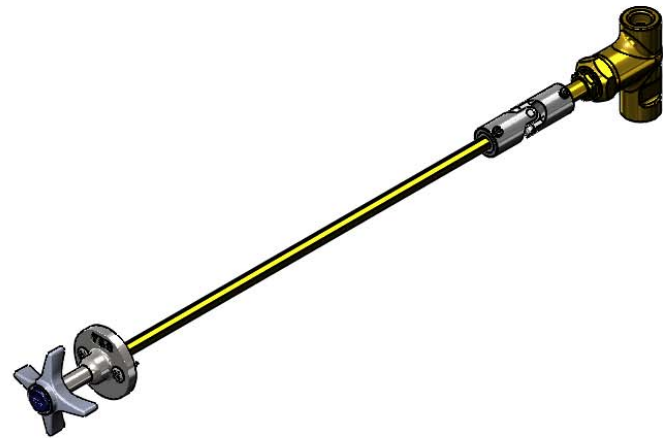
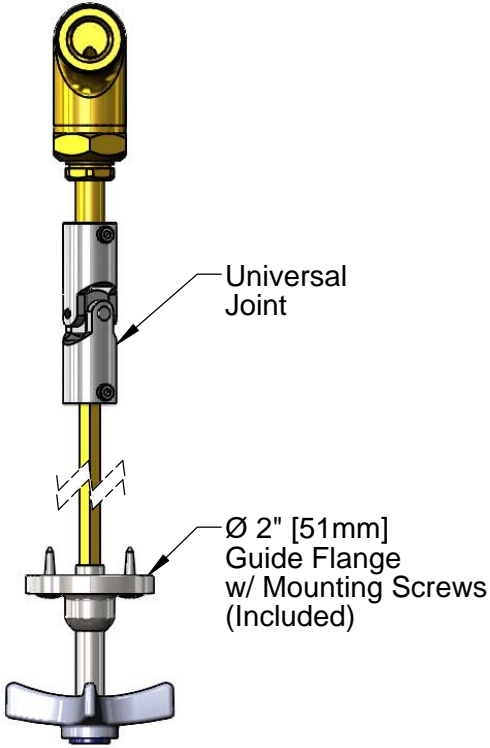
Job Name _____ Date _____

Model Specified _____ Quantity _____

Customer/Wholesaler _____

Contractor _____

Architect/Engineer _____



 209L-VAC Yellow Snap-In Index (Included)	 209L-AIR Orange Snap-In Index (Included)
---	---

Product Specifications:
 Remote Control Straight Valve for Gases w/ 19 9/16" Centerline to Flange, 4-Arm Handle, "GAS", "AIR" & "VAC" Snap-In Indexes, Guide Flange w/ Mounting Screws, Universal Joint & 3/8" NPT Inlet & Outlet

Drawn DHL	Checked DMH	Approved JHB
Scale: 1:3		Date: 09/06/13



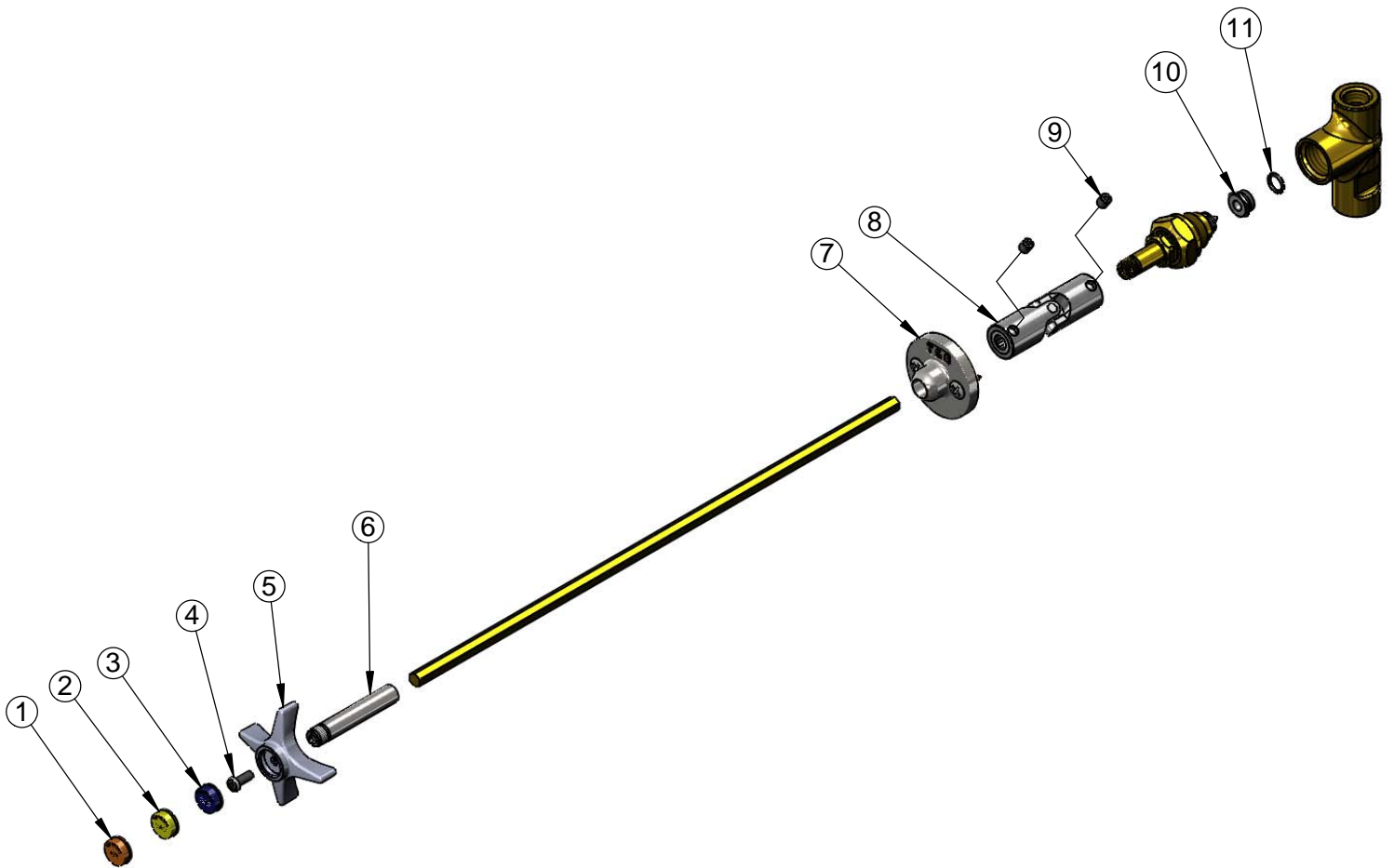
T&S BRASS AND BRONZE WORKS, INC.
 2 Saddleback Cove / P.O. Box 1088
 Travelers Rest, SC 29690

Model No.
BL-4710-01

Item No.

Travelers Rest, SC: 800-476-4103 • Simi Valley, CA: 800-423-0150 • Fax: 864-834-3518 • www.tsbrass.com

ITEM NO.	SALES NO.	DESCRIPTION
1	209L-AIR	Orange AIR Snap-In Index
2	209L-VAC	Yellow VAC Snap-In Index
3	209L-GAS	Dark Blue GAS Snap-In Index
4	000925-45	Lab Handle Screw
5	000059-40	4-Arm Lab Handle
6	000784-40	Broached Sleeve
7	BL-4740-01	Guide Flange w/ Mounting Screws, Wood Furniture
8	002336-20	Universal Joint, Remote Control Rod
9	000942-45	Set Screw, 1/4-20 UN
10	000529-40	Seat
11	001070-45	O-ring



Product Specifications:

Remote Control Straight Valve for Gases w/ 19 9/16" Centerline to Flange, 4-Arm Handle, "GAS", "AIR" & "VAC" Snap-In Indexes, Guide Flange w/ Mounting Screws, Universal Joint & 3/8" NPT Inlet & Outlet

Drawn DHL	Checked DMH	Approved JHB
Scale: NTS		Date: 09/06/13