



**T&S BRASS AND BRONZE WORKS, INC.**  
 2 SADDLEBACK COVE / P.O. BOX 1088 / TRAVELERS REST, SC 29690  
 PHONE 800-476-4103 FAX 864-834-3518



Model No.

BL-4705-02

Item No.:

REG.#A2601  
ISO #9002

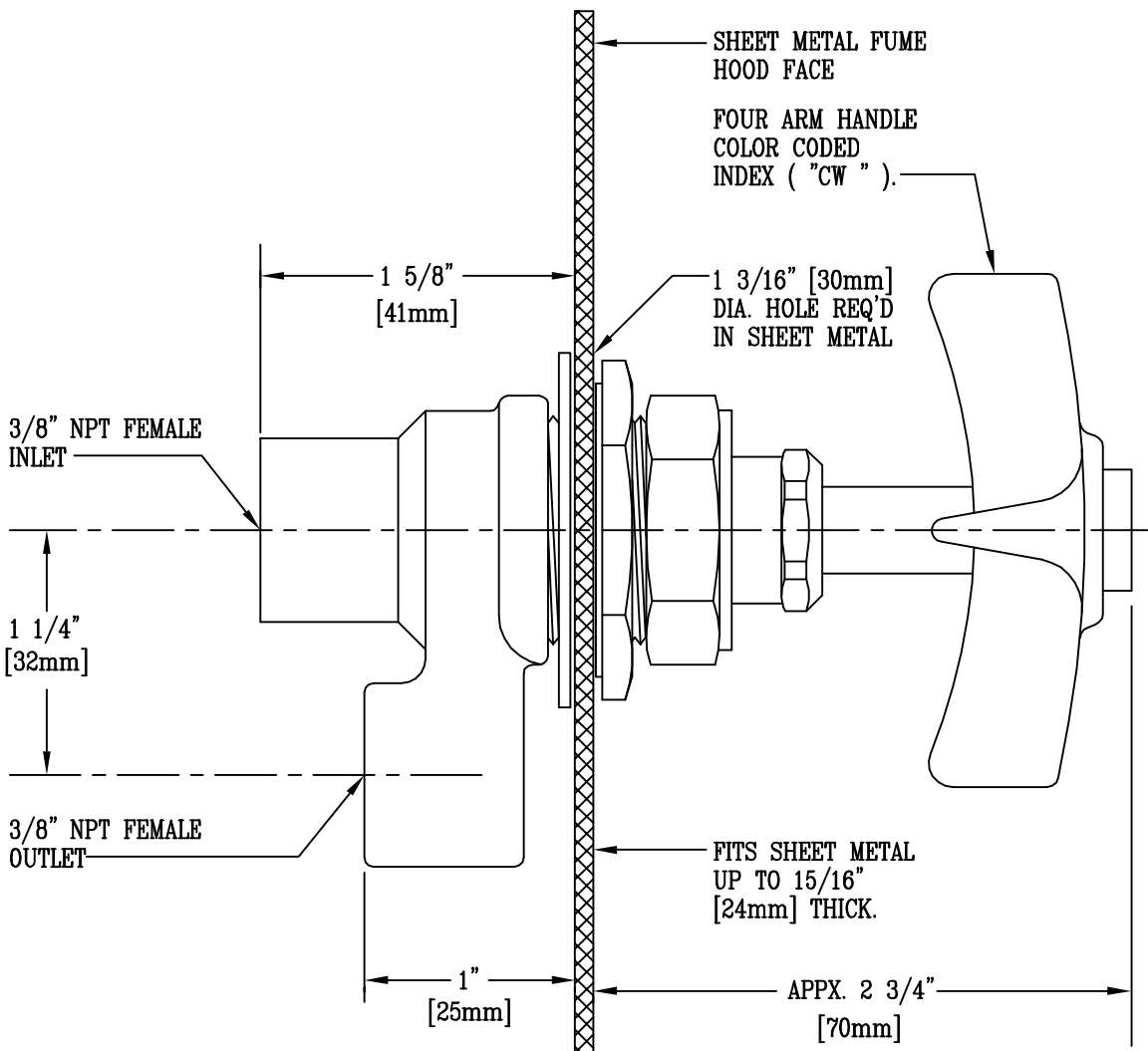
Job Name:

Architect/Engineer Approval:

Notes:



ADA COMPLIANT



Product Description:

FUME HOOD VALE FOR WATER WITH  
 FOUR ARM HANDLE, COLOR CODED INDEX,  
 AND 3/8" NPT FEMALE INLET & OUTLET

Drawn:

WJS

Approved

CA

Checked

JKD

Scale:

1' = 1'

Date:

11/22/95