



T&S BRASS AND BRONZE WORKS, INC.

2 Saddleback Cove / P.O. Box 1088
Travelers Rest, SC 29690

Model No.

BL-4705-01

Item No.

Travelers Rest, SC: 800-476-4103 • Simi Valley, CA: 800-423-0150 • Fax: 864-834-3518 • www.tsbrass.com

This Space for Architect/Engineer Approval

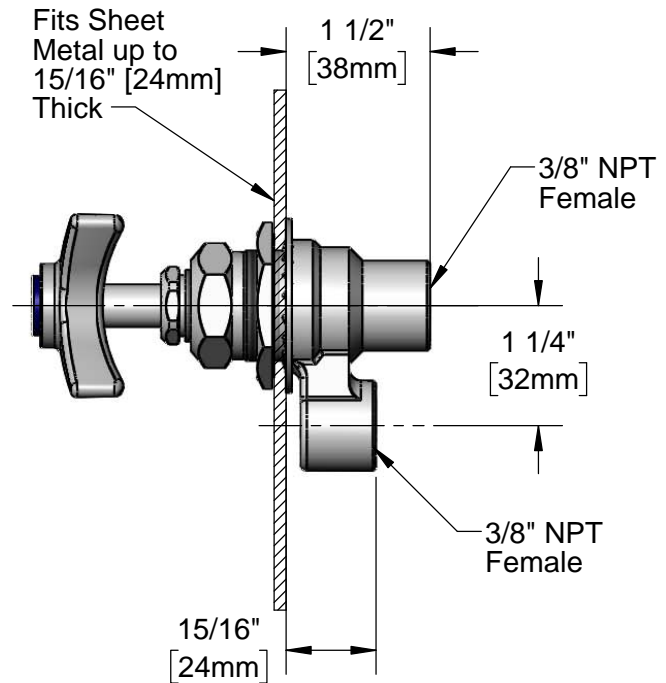
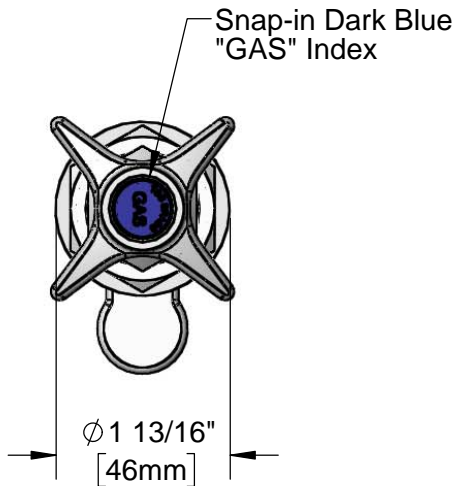
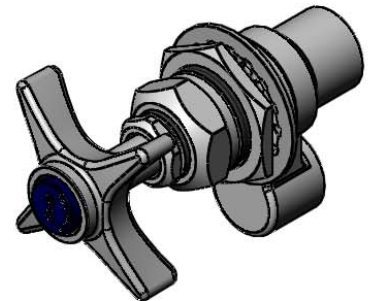
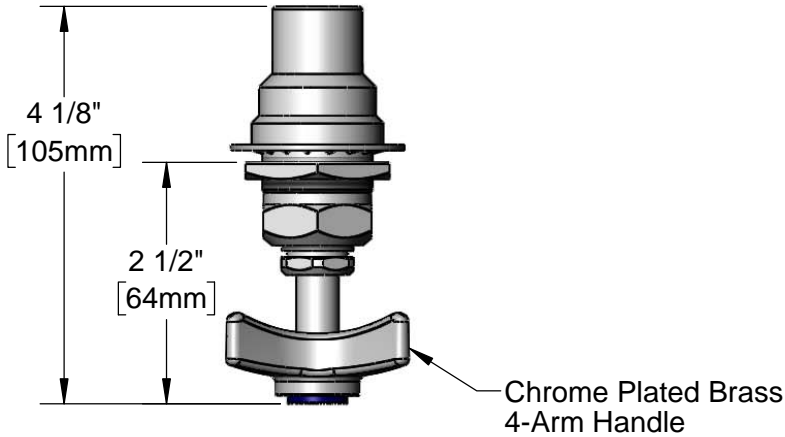
Job Name _____ Date _____

Model Specified _____ Quantity _____

Customer/Wholesaler _____

Contractor _____

Architect/Engineer _____



Notes:

1. Natural Gas Pressure: 125 PSIG Max.
2. Temperature Range: 32°F - 125°F

Product Specifications:

Fume Hood Valve with Chrome Plated Brass Body, 4-Arm Handle, Color Coded Indexes and 3/8" NPT Female Inlet and Outlet

Product Compliance:

ANSI Z21.15a / CSA 9.1a (Gas Valves)



T&S BRASS AND BRONZE WORKS, INC.

2 Saddleback Cove / P.O. Box 1088
Travelers Rest, SC 29690

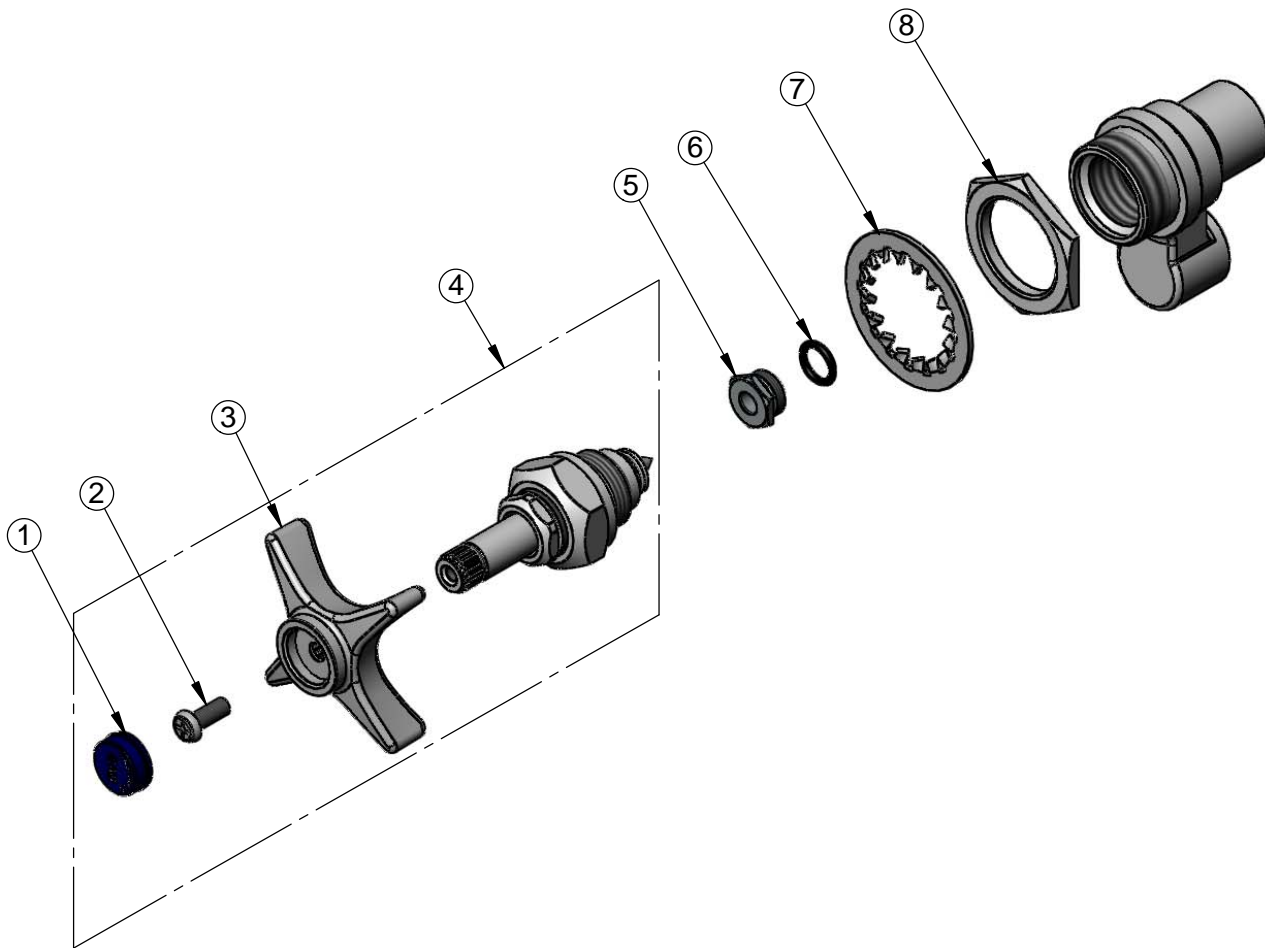
Model No.

BL-4705-01

Item No.

Travelers Rest, SC: 800-476-4103 • Simi Valley, CA: 800-423-0150 • Fax: 864-834-3518 • www.tsbrass.com

ITEM NO.	SALES NO.	DESCRIPTION
1	209L-GAS	Dark Blue GAS Snap-In Index
2	000925-45	Lab Handle Screw
3	000059-40	4-Arm Lab Handle
4	110A	Spindal Assembly, BL-4500-01
5	000529-20	Seat, BL-4500-01
6	001070-45	O-ring, Nitrile, -012
7	001003-45	Lock Washer, Int. Tooth, 1 5/32" ID
8	000959-40	Locknut, Body Top



Product Specifications:

Fume Hood Valve with Chrome Plated Brass Body, 4-Arm Handle, Color Coded Indexes and 3/8" NPT Female Inlet and Outlet

Product Compliance:

ANSI Z21.15a / CSA 9.1a (Gas Valves)