



T&S BRASS AND BRONZE WORKS, INC.

2 Saddleback Cove / P.O. Box 1088
Travelers Rest, SC 29690

Model No.

BL-4520-01

Item No.

Travelers Rest, SC: 800-476-4103 • Simi Valley, CA: 800-423-0150 • Fax: 864-834-3518 • www.tsbrass.com

This Space for Architect/Engineer Approval

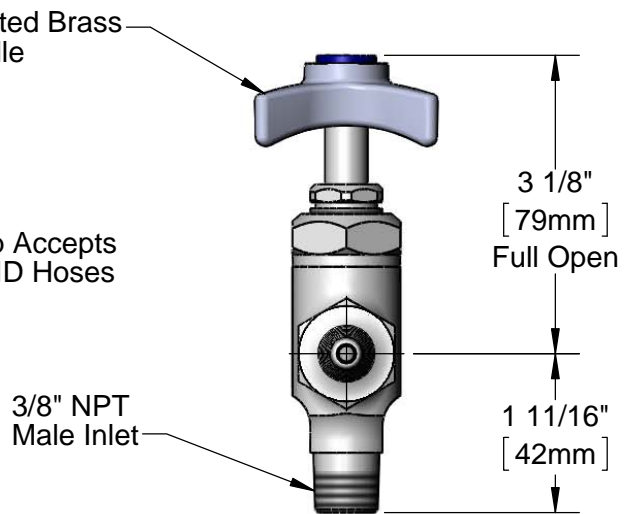
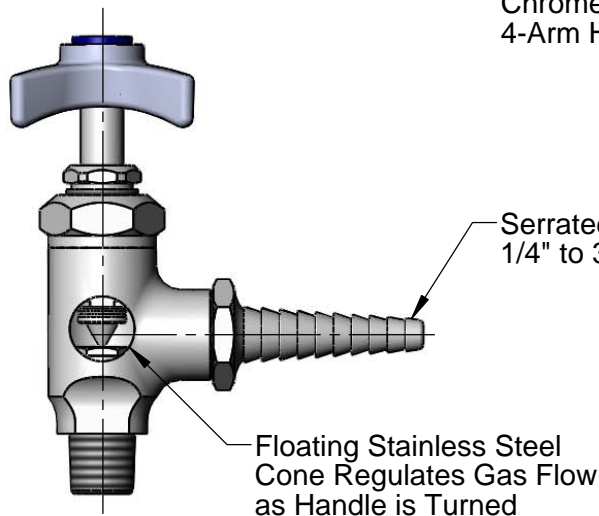
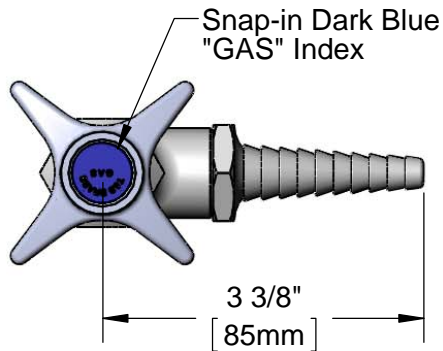
Job Name _____ Date _____

Model Specified _____ Quantity _____

Customer/Wholesaler _____

Contractor _____

Architect/Engineer _____



Notes:

1. Natural Gas Pressure: 0.5 PSIG Max.
2. Air Pressure: 125 PSIG Max.
3. Vacuum: 30 Inches of Mercury Max.
4. Temperature Range: 32 °F - 125 °F



209L-VAC
Index
Included



209L-AIR
Index
Included

Product Specifications:
Angle Stop w/ 3/8" NPT Male Inlet, Serrated Tip Outlet & Color Coded Indexes

Drawn DMH	Checked JRM	Approved JHB
Scale: 1:2		Date: 05/21/12



T&S BRASS AND BRONZE WORKS, INC.

2 Saddleback Cove / P.O. Box 1088

Travelers Rest, SC 29690

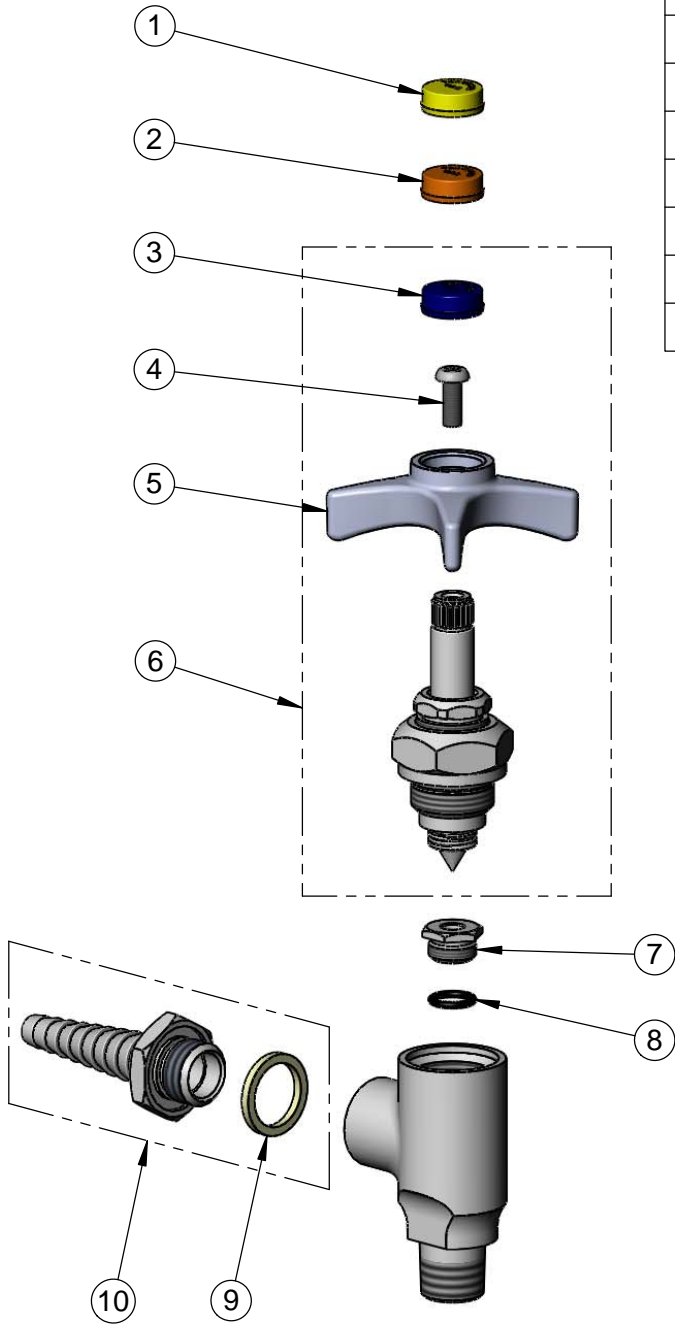
Model No.

BL-4520-01

Item No.

Travelers Rest, SC: 800-476-4103 • Simi Valley, CA: 800-423-0150 • Fax: 864-834-3518 • www.tsbrass.com

ITEM NO.	SALES NO.	DESCRIPTION
1	209L-VAC	Cap, Index, Yellow, Vacuum
2	209L-AIR	Cap, Index, Orange, Air
3	209L-GAS	Cap, Index, Blue, Gas
4	000925-45	Lab Handle Screw
5	000059-40	4-Arm Lab Handle
6	110A	Spindle Assembly, BL-4500-01
7	000529-40	Seat, BL-4500-01
8	001070-45	O-ring, Nitrile, -012
9	001051-45	Washer
10	B-0198	Serrated Tip



Product Specifications:
 Angle Stop w/ 3/8" NPT Male Inlet, Serrated Tip Outlet &
 Color Coded Indexes

Drawn

DMH

Checked

JRM

Approved

JHB

Scale:

NTS

Date:

05/21/12