



T&S BRASS AND BRONZE WORKS, INC.
 2 Saddleback Cove / P.O. Box 1088
 Travelers Rest, SC 29690

Model No.
BL-4507-02

Item No.

Travelers Rest, SC: 800-476-4103 • Simi Valley, CA: 800-423-0150 • Fax: 864-834-3518 • www.tsbrass.com

This Space for Architect/Engineer Approval

Job Name _____ Date _____

Model Specified _____ Quantity _____

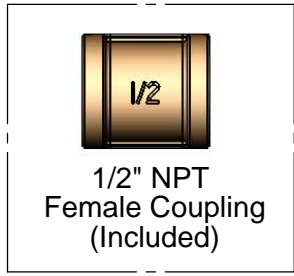
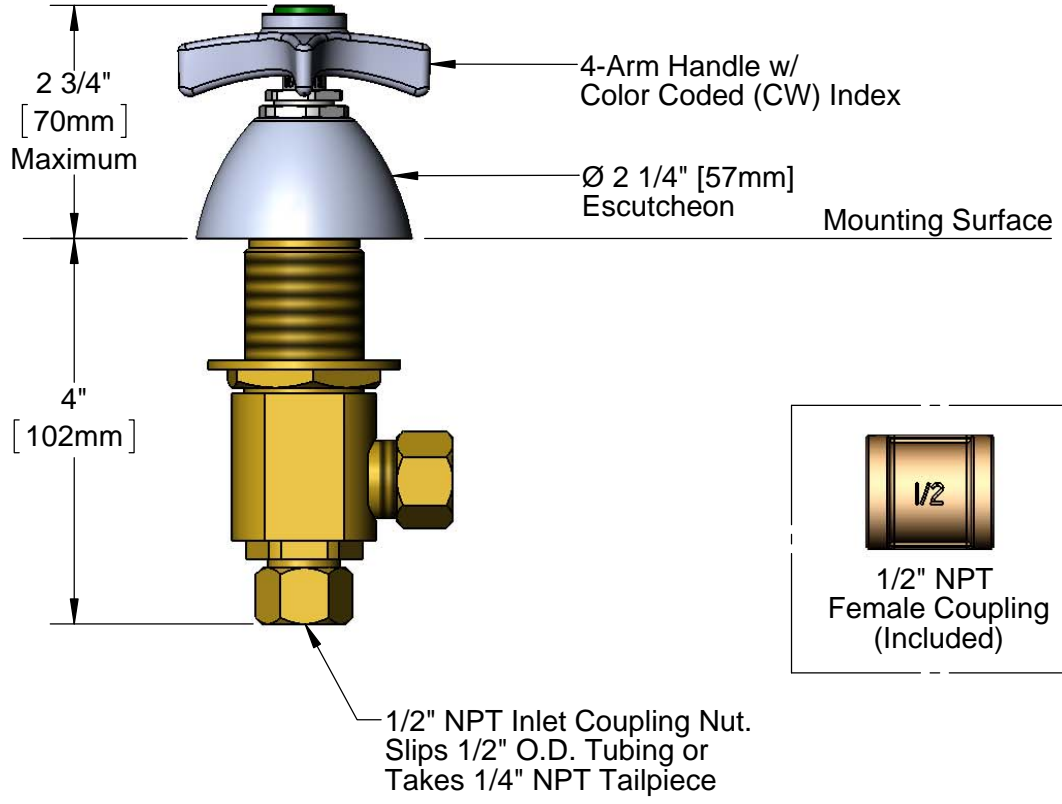
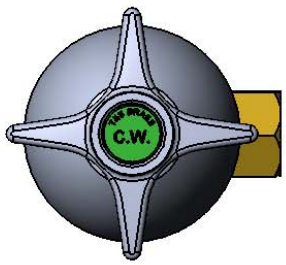
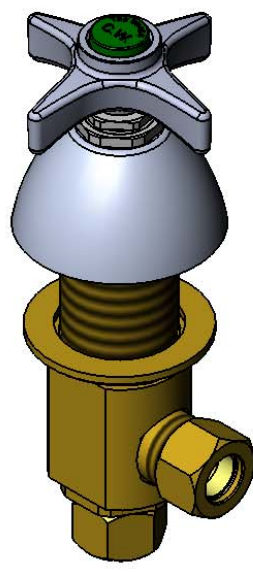
Customer/Wholesaler _____

Contractor _____

Architect/Engineer _____



ADA Compliant



Product Specifications:
 Concealed Deck Valve w/ 4-Arm Handle, (CW) Color Coded Index & 1/2" NPT Side Coupling Outlet

Drawn DHL	Checked KJG	Approved JHB
Scale: 1:2		Date: 02/19/13



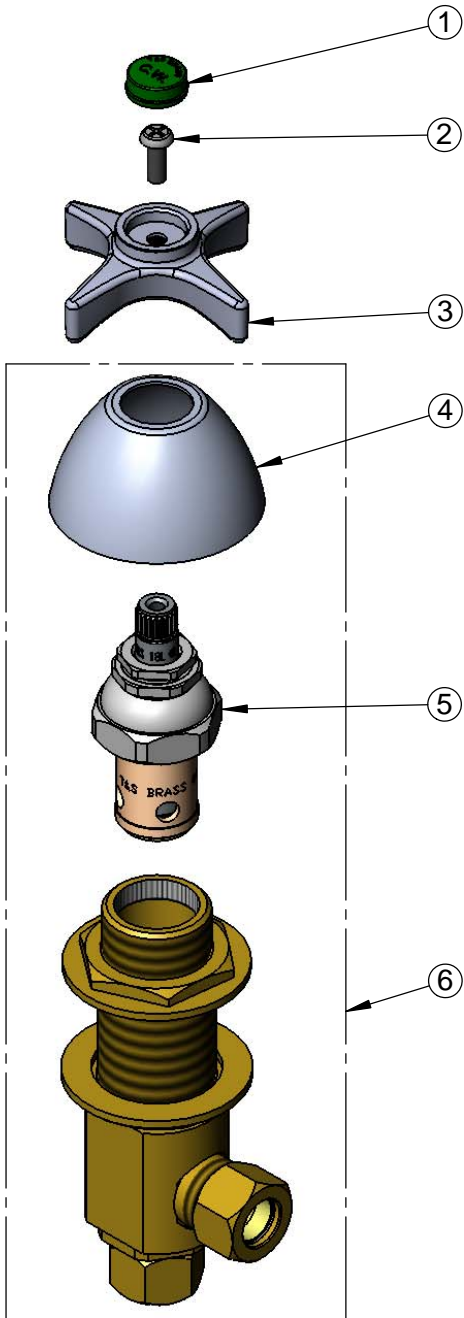
T&S BRASS AND BRONZE WORKS, INC.
 2 Saddleback Cove / P.O. Box 1088
 Travelers Rest, SC 29690

Model No.
BL-4507-02

Item No.

Travelers Rest, SC: 800-476-4103 • Simi Valley, CA: 800-423-0150 • Fax: 864-834-3518 • www.tsbrass.com

ITEM NO.	SALES NO.	DESCRIPTION
1	001191-45	Green CW Snap-In Index
2	000925-45	Lab Handle Screw
3	000059-40	4-Arm Lab Handle
4	001257-40	Bell Escutcheon
5	006478-40	Eterna Cartridge, RTC (Teflon) w/ Escutcheon Bonnet
6	162A	B-0850 Side Body (Hot), Less Handle



Product Specifications:
 Concealed Deck Valve w/ 4-Arm Handle, (CW) Color Coded Index
 & 1/2" NPT Side Coupling Outlet

Drawn DHL	Checked KJG	Approved JHB
Scale: NTS		Date: 02/19/13