



T&S BRASS AND BRONZE WORKS, INC.
 2 Saddleback Cove / P.O. Box 1088
 Travelers Rest, SC 29690

Model No.

BL-4355-01

Item No.

Travelers Rest, SC: 800-476-4103 • Simi Valley, CA: 800-423-0150 • Fax: 864-834-3518 • www.tsbrass.com



ADA Compliant

This Space for Architect/Engineer Approval

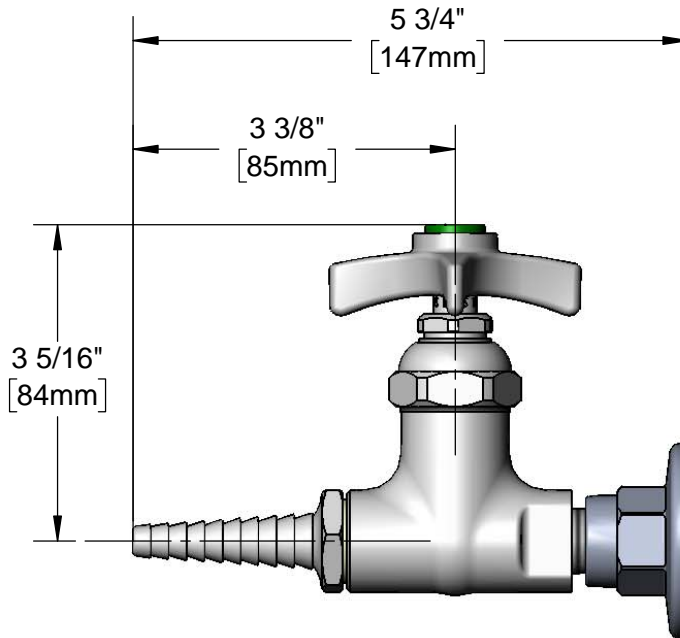
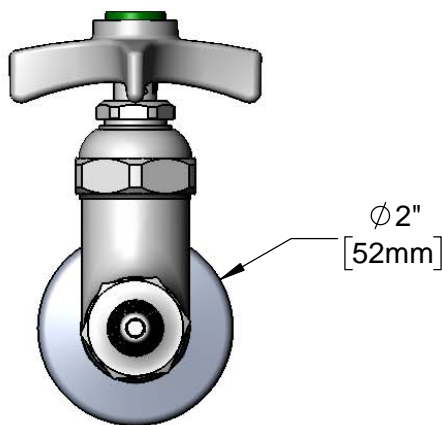
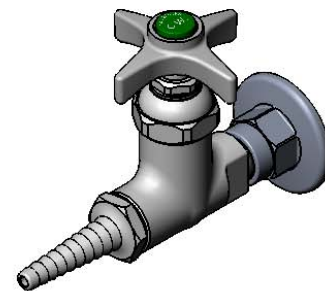
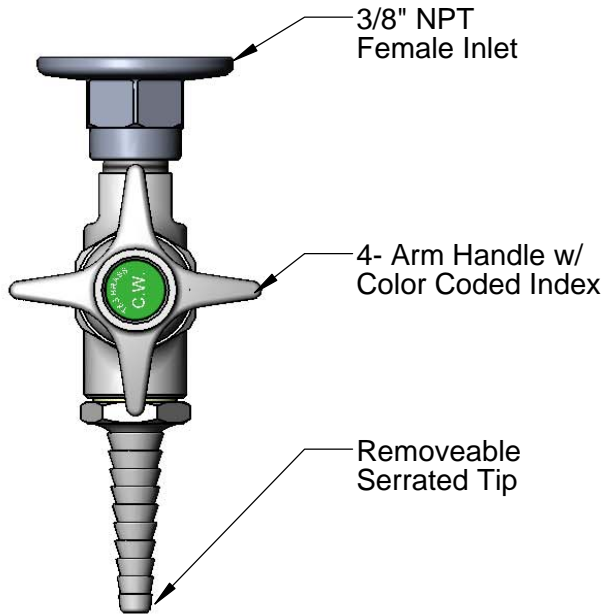
Job Name _____ Date _____

Model Specified _____ Quantity _____

Customer/Wholesaler _____

Contractor _____

Architect/Engineer _____



Product Specifications:
 Flange w/ Straight Stop for Water, 3/8" NPT Female Inlet, Serrated Tip Outlet

Product Compliance:
 ASME A112.18.1 / CSA B125.1
 NSF 61 - Section 9
 NSF 372 (Low Lead Content)
 ANSI A117.1 (ADA)



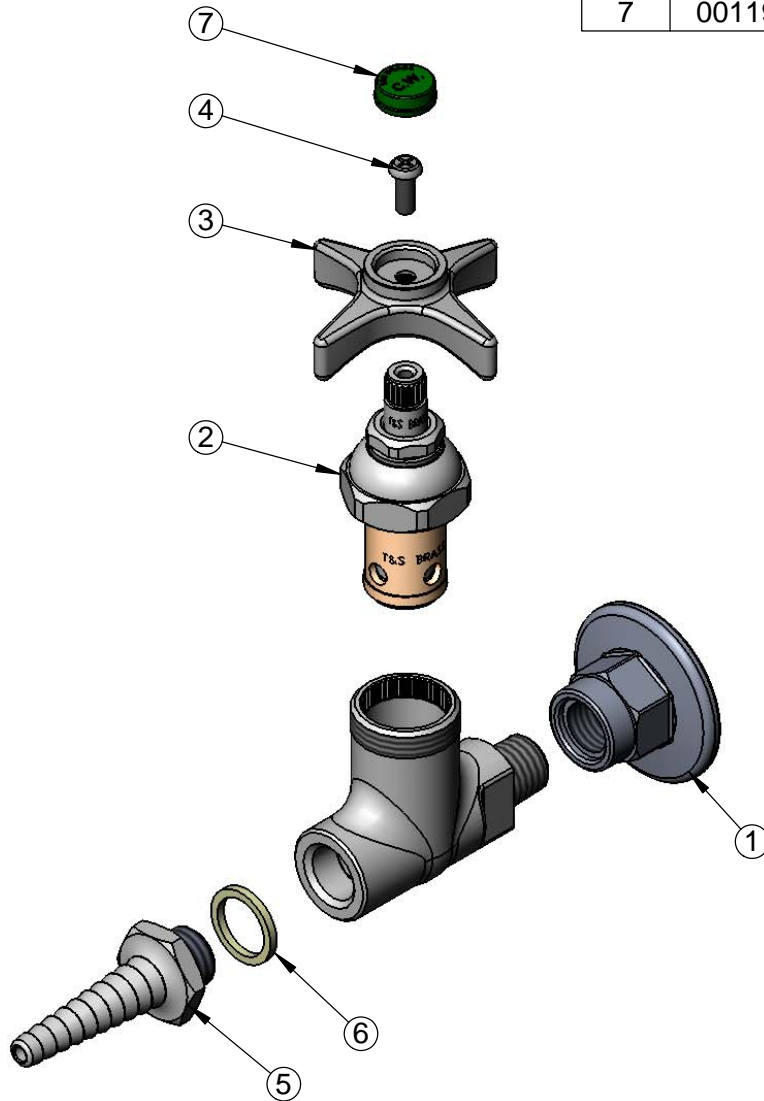
T&S BRASS AND BRONZE WORKS, INC.
 2 Saddleback Cove / P.O. Box 1088
 Travelers Rest, SC 29690

Model No.
BL-4355-01

Item No.

Travelers Rest, SC: 800-476-4103 • Simi Valley, CA: 800-423-0150 • Fax: 864-834-3518 • www.tsbrass.com

| ITEM NO. | SALES NO. | DESCRIPTION |
|----------|------------|-----------------------|
| 1 | BL-4250-03 | Flange, 3/8" NPT |
| 2 | 005960-40 | Eterna Cartridge, RTC |
| 3 | 000059-40 | 4-Arm Lab Handle |
| 4 | 000925-45 | Lab Handle Screw |
| 5 | B-0198 | Serrated Tip |
| 6 | 001051-45 | Washer |
| 7 | 001191-45 | Green Index - CW |



Product Specifications:
 Flange w/ Straight Stop for Water, 3/8" NPT Female Inlet, Serrated Tip Outlet

Product Compliance:
 ASME A112.18.1 / CSA B125.1
 NSF 61 - Section 9
 NSF 372 (Low Lead Content)
 ANSI A117.1 (ADA)