



T&S BRASS AND BRONZE WORKS, INC.

2 Saddleback Cove / P.O. Box 1088
Travelers Rest, SC 29690

Model No.

BL-4300 SERIES

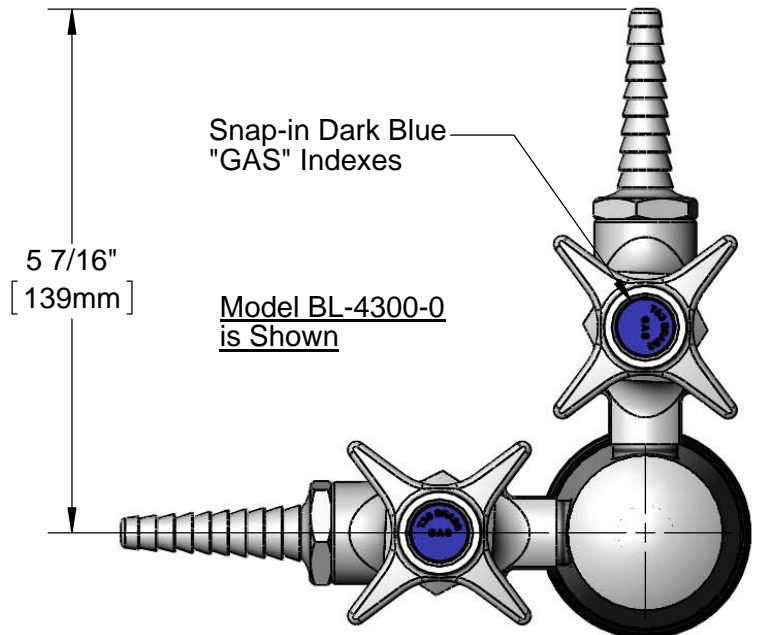
Item No.

Travelers Rest, SC: 800-476-4103 • Simi Valley, CA: 800-423-0150 • Fax: 864-834-3518 • www.tsbrass.com

This Space for Architect/Engineer Approval

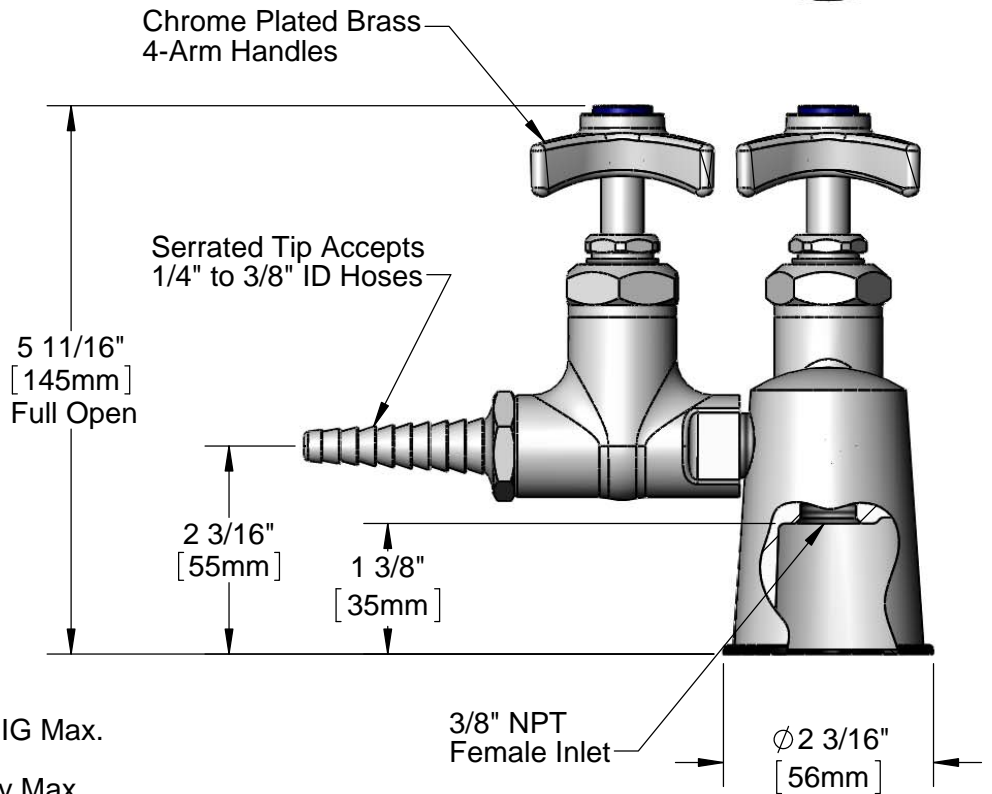
Job Name _____ Date _____
 Model Specified _____ Quantity _____
 Customer/Wholesaler _____
 Contractor _____
 Architect/Engineer _____

BL-4300-0	Turret w/ (2) Gas Stops @ 90°
BL-4300-01	Turret w/ (1) Gas Stop
BL-4300-02	Turret w/ (2) Gas Stops @ 180°
BL-4300-04	Turret w/ (4) Gas Stops @ 90°




209L-VAC
Index(es)
Included


209L-AIR
Index(es)
Included



Notes:

1. Natural Gas Pressure: 0.5 PSIG Max.
2. Air Pressure: 125 PSIG Max.
3. Vacuum: 30 Inches of Mercury Max.
4. Temperature Range: 32°F - 125°F

Product Specifications:
Laboratory Turret with Gas Stop(s)

Drawn DMH	Checked JRM	Approved JHB
Scale: 1:2		Date: 05/21/12



T&S BRASS AND BRONZE WORKS, INC.

2 Saddleback Cove / P.O. Box 1088

Travelers Rest, SC 29690

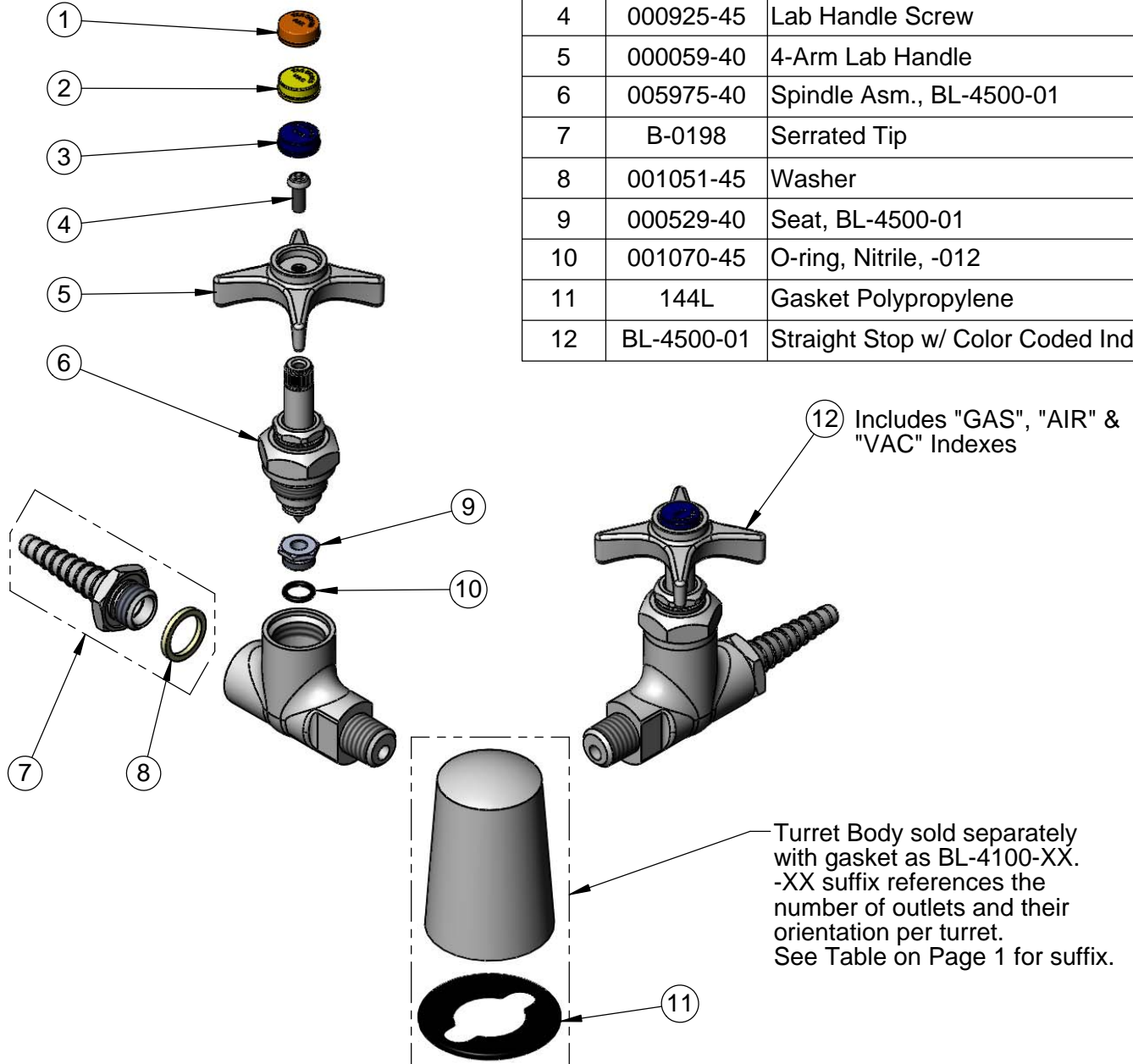
Model No.

BL-4300 SERIES

Item No.

Travelers Rest, SC: 800-476-4103 • Simi Valley, CA: 800-423-0150 • Fax: 864-834-3518 • www.tsbrass.com

ITEM NO.	SALES NO.	DESCRIPTION
1	209L-AIR	Cap, Index, Orange, Air
2	209L-VAC	Cap, Index, Yellow, Vacuum
3	209L-GAS	Cap, Index, Blue, Gas
4	000925-45	Lab Handle Screw
5	000059-40	4-Arm Lab Handle
6	005975-40	Spindle Asm., BL-4500-01
7	B-0198	Serrated Tip
8	001051-45	Washer
9	000529-40	Seat, BL-4500-01
10	001070-45	O-ring, Nitrile, -012
11	144L	Gasket Polypropylene
12	BL-4500-01	Straight Stop w/ Color Coded Indexes



Product Specifications:
Laboratory Turret with Gas Stop(s)

Drawn DMH	Checked JRM	Approved JHB
Scale: NTS		Date: 05/21/12