



T&S BRASS AND BRONZE WORKS, INC.

2 Saddleback Cove / P.O. Box 1088
Travelers Rest, SC 29690

Model No.

BL-4270-02

Item No.

Travelers Rest, SC: 800-476-4103 • Simi Valley, CA: 800-423-0150 • Fax: 864-834-3518 • www.tsbrass.com

This Space for Architect/Engineer Approval

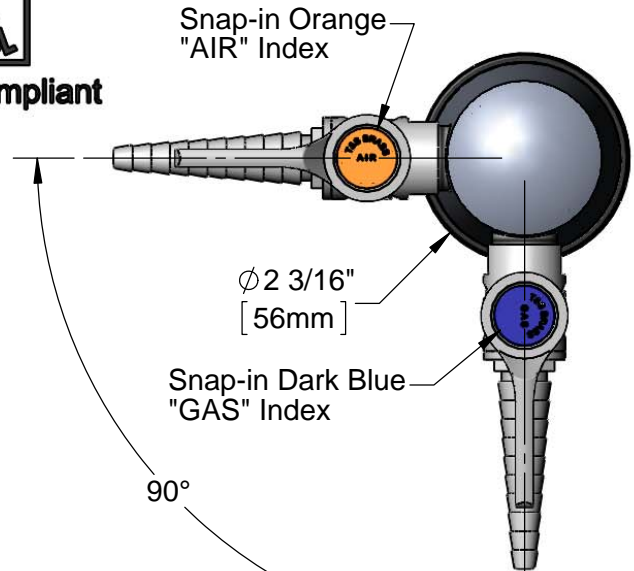
Job Name _____ Date _____

Model Specified _____ Quantity _____

Customer/Wholesaler _____

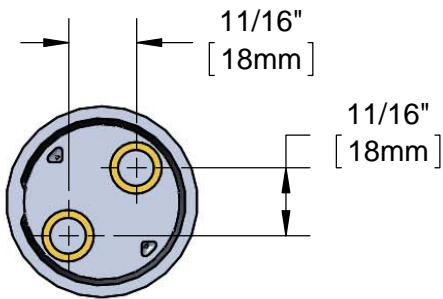
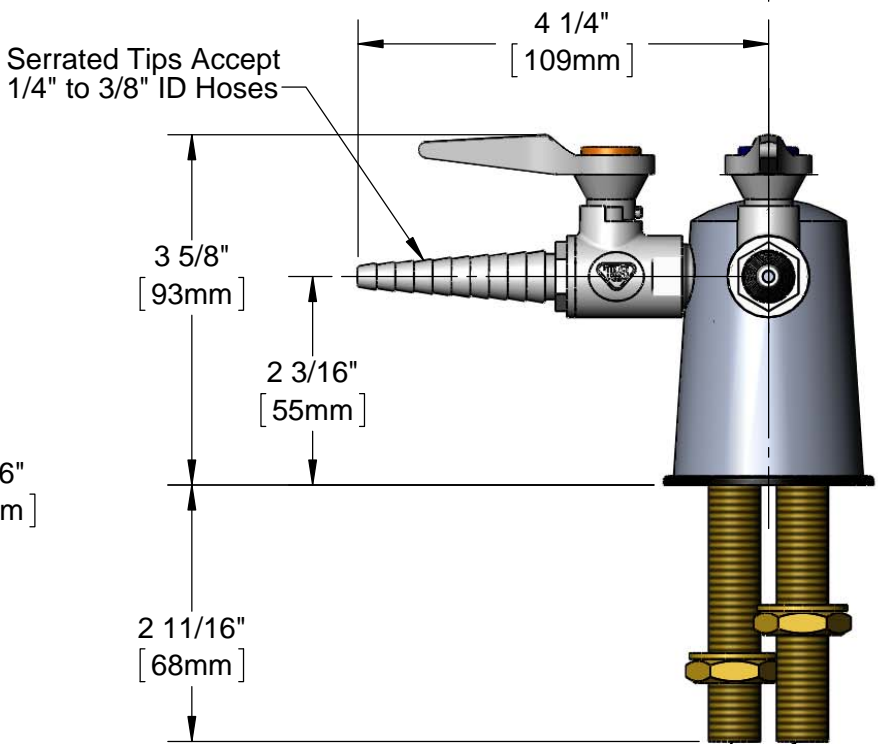
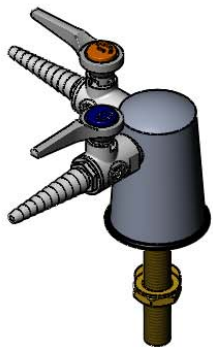
Contractor _____

Architect/Engineer _____



NOTES:

1. Natural Gas Pressure: 0.5 PSIG Max.
(For Natural Gas above 0.5 PSIG or Oxygen and Specialty Gases, use BL-4010-01 Gas Cock.)
2. Air Pressure: 125 PSIG Max.
3. Vacuum: 30 inches of Mercury Max.
4. Certified to ANSI Z21.15a / CSA 9.1a



Bottom View of Turret (Less Gasket)

Rough-In Requirement:
(2) 1/2" [13mm] Mounting Holes

Product Specifications:
Laboratory Turret: (2) Ball Valve Hose Cocks at 90° w/
(1) Gas Outlet, (1) Air Outlet and 1/4" NPT Supply Nipples

Drawn	Checked	Approved
DMH	JRM	JHB
Scale:	Date:	
1:2	05/21/12	



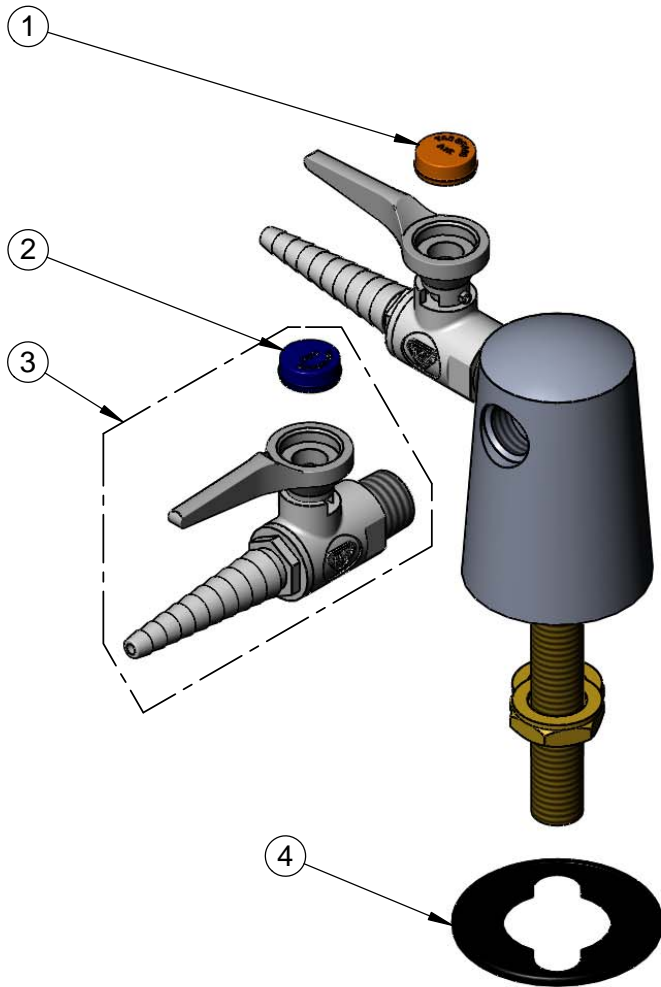
T&S BRASS AND BRONZE WORKS, INC.
 2 Saddleback Cove / P.O. Box 1088
 Travelers Rest, SC 29690

Model No.
BL-4270-02

Item No.

Travelers Rest, SC: 800-476-4103 • Simi Valley, CA: 800-423-0150 • Fax: 864-834-3518 • www.tsbrass.com

ITEM NO.	SALES NO.	DESCRIPTION
1	209L-AIR	Cap, Index, Orange, Air
2	209L-GAS	Cap, Index, Blue, Gas
3	BL-4000-01	Ball Valve Hose Cock w/ GAS, AIR & VAC Indexes
4	144L	Gasket Polypropylene



Product Specifications:
 Laboratory Turret: (2) Ball Valve Hose Cocks at 90° w/
 (1) Gas Outlet, (1) Air Outlet and 1/4" NPT Supply Nipples

Drawn DMH	Checked JRM	Approved JHB
Scale: NTS		Date: 05/21/12