

# T&S BRASS AND BRONZE WORKS, INC.

2 Saddleback Cove / P.O. Box 1088  
Travelers Rest, SC 29690

Model No.

**BL-4260-02**

Item No.

Travelers Rest, SC: 800-476-4103 • Simi Valley, CA: 800-423-0150 • Fax: 864-834-3518 • www.tsbrass.com

This Space for Architect/Engineer Approval

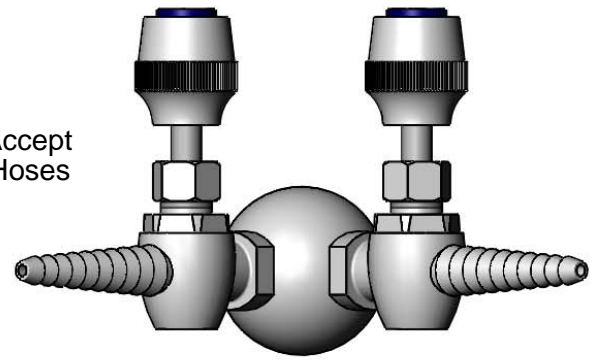
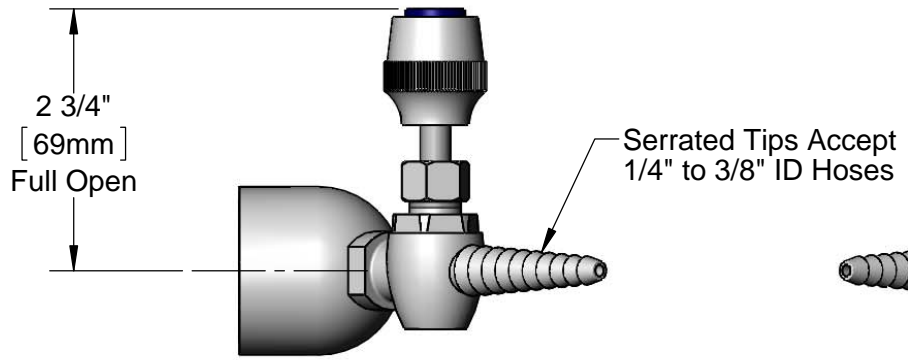
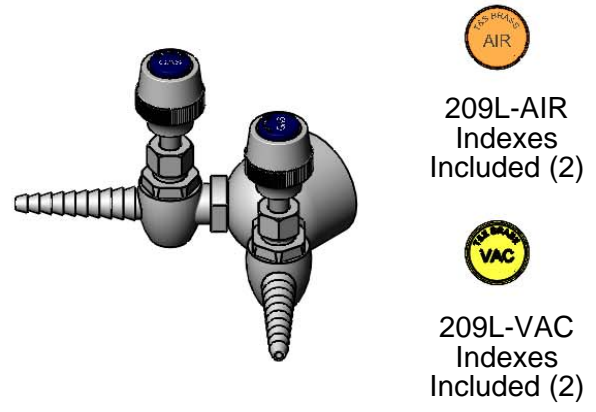
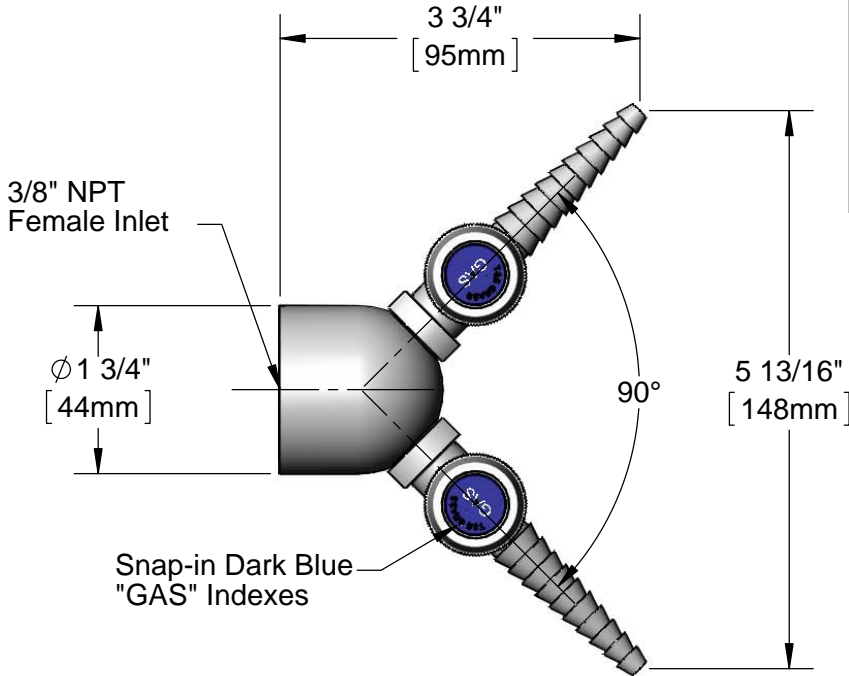
Job Name \_\_\_\_\_ Date \_\_\_\_\_

Model Specified \_\_\_\_\_ Quantity \_\_\_\_\_

Customer/Wholesaler \_\_\_\_\_

Contractor \_\_\_\_\_

Architect/Engineer \_\_\_\_\_



**Notes:**

1. Maximum Rated Pressure is 80 PSIG
2. Special Packing in Valve Suitable for Oxygen, Hydrogen, and Other Special Gases

**Product Specifications:**  
Double Panel Flange w/ 2 Needle Valve Hose Cocks,  
3/8" NPT Female Inlet

**Product Compliance:**  
ANSI Z21.15a / CSA 9.1a (Gas Valves)



# T&S BRASS AND BRONZE WORKS, INC.

2 Saddleback Cove / P.O. Box 1088  
Travelers Rest, SC 29690

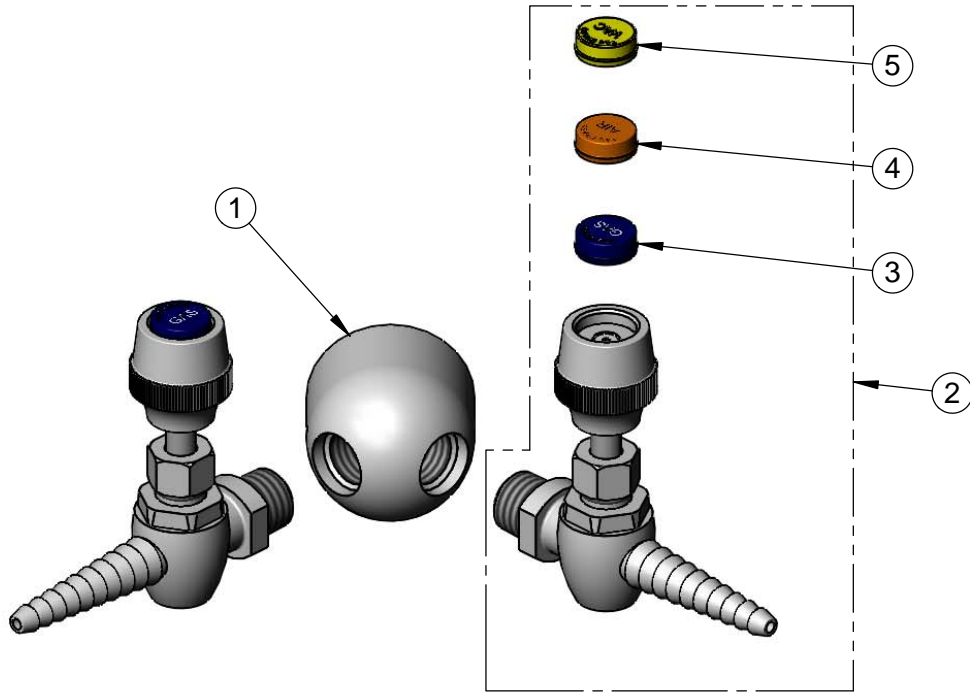
Model No.

**BL-4260-02**

Item No.

Travelers Rest, SC: 800-476-4103 • Simi Valley, CA: 800-423-0150 • Fax: 864-834-3518 • www.tsbrass.com

ITEM NO.	SALES NO.	DESCRIPTION
1	BL-4250-05	Panel Flange, 3/8" NPT
2	BL-4010-01	Needle Valve Hose Cock w/ GAS, AIR, & VAC Indexes
3	209L-GAS	Dark Blue GAS Snap-In Index
4	209L-AIR	Orange AIR Snap-In Index
5	209L-VAC	Yellow VAC Snap-In Index



Product Specifications:  
Double Panel Flange w/ 2 Needle Valve Hose Cocks,  
3/8" NPT Female Inlet

Product Compliance:  
ANSI Z21.15a / CSA 9.1a (Gas Valves)