



T&S BRASS AND BRONZE WORKS, INC.
 2 Saddleback Cove / P.O. Box 1088
 Travelers Rest, SC 29690

Model No.
BL-4260-01

Item No.

Travelers Rest, SC: 800-476-4103 • Simi Valley, CA: 800-423-0150 • Fax: 864-834-3518 • www.tsbrass.com

This Space for Architect/Engineer Approval

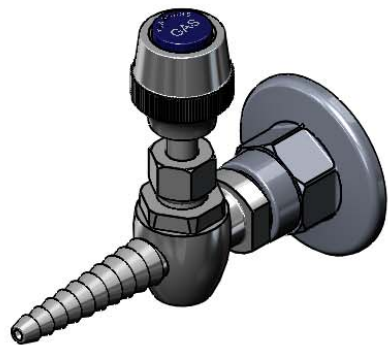
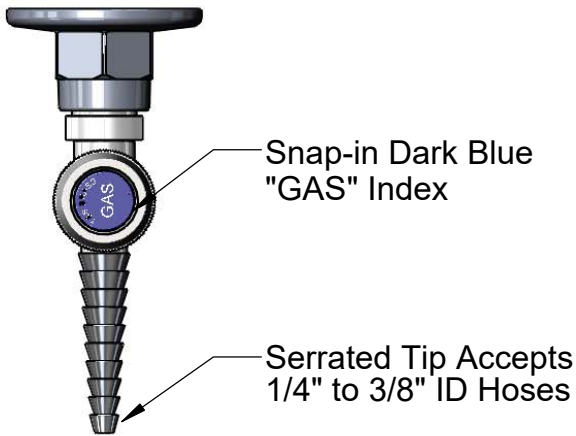
Job Name _____ Date _____

Model Specified _____ Quantity _____

Customer/Wholesaler _____

Contractor _____

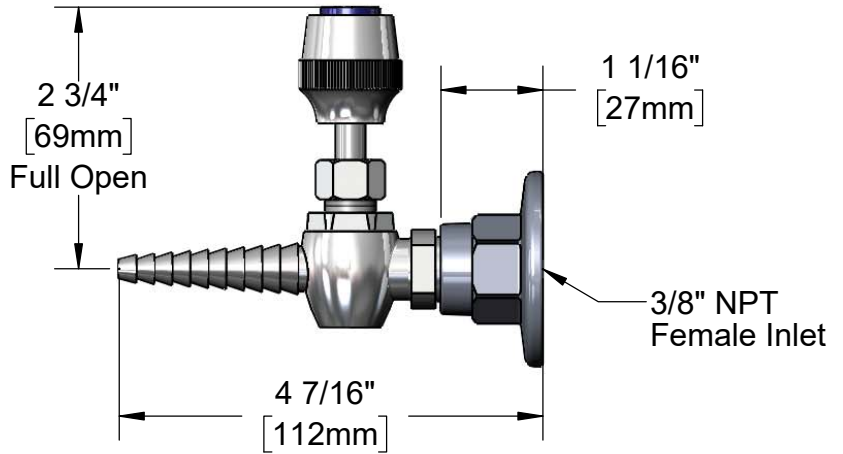
Architect/Engineer _____



209L-VAC
 Index
 Included



209L-AIR
 Index
 Included



Notes:

1. Special Packing in Valve Suitable for Oxygen, Hydrogen and Other Special Gases
2. Pressure:
 Fuel Gas - 0.5 psi max
 Other Gases Including Air - 80 psi max
 Vacuum - 30 inches of Mercury max
3. Temperature: 32°F - 125°F

Product Specifications:
 Laboratory Panel Flange w/ Needle Valve Hose Cock

Product Compliance:
 ANSI Z21.15a / CSA 9.1a (Gas Valves)



T&S BRASS AND BRONZE WORKS, INC.
 2 Saddleback Cove / P.O. Box 1088
 Travelers Rest, SC 29690

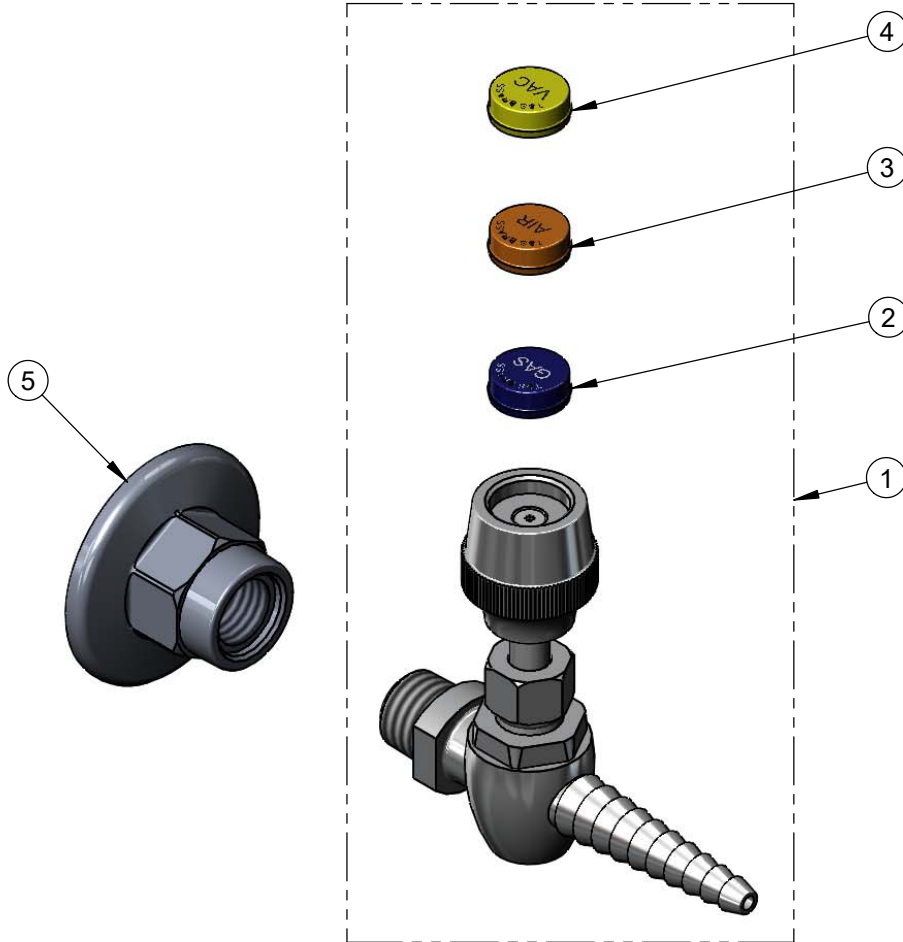
Model No.

BL-4260-01

Item No.

Travelers Rest, SC: 800-476-4103 • Simi Valley, CA: 800-423-0150 • Fax: 864-834-3518 • www.tsbrass.com

ITEM NO.	SALES NO.	DESCRIPTION
1	BL-4010-01	Needle Valve Hose Cock w/ GAS, AIR & VAC Indexes
2	209L-GAS	Dark Blue GAS Snap-In Index
3	209L-AIR	Orange AIR Snap-In Index
4	209L-VAC	Yellow VAC Snap-In Index
5	BL-4250-03	Flange, 3/8" NPT



Product Specifications:
 Laboratory Panel Flange w/ Needle Valve Hose Cock

Product Compliance:
 ANSI Z21.15a / CSA 9.1a (Gas Valves)