



**T&S BRASS AND BRONZE WORKS, INC.**  
 2 Saddleback Cove / P.O. Box 1088  
 Travelers Rest, SC 29690

Model No.  
**BL-4005-01**

Item No.

Travelers Rest, SC: 800-476-4103 • Simi Valley, CA: 800-423-0150 • Fax: 864-834-3518 • www.tsbrass.com

**Notes:**

1. Ball Valve Construction Provides On/Off Control of Laboratory Gases.  
 (For Oxygen, Hydrogen or Where Fine Metering Adjustment is Needed, BL-4010-01 Gas Cock is Recommended.)
2. ANSI Z21.15/ CSA 9.1 Certified for Natural Gas (0.5 PSIG Max.)
3. Rated Pressure for Laboratory Gases: 125 PSIG Max.

This Space for Architect/Engineer Approval

Job Name \_\_\_\_\_ Date \_\_\_\_\_

Model Specified \_\_\_\_\_ Quantity \_\_\_\_\_

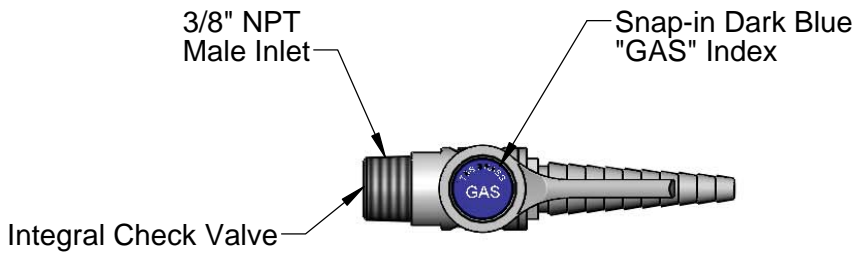
Customer/Wholesaler \_\_\_\_\_

Contractor \_\_\_\_\_

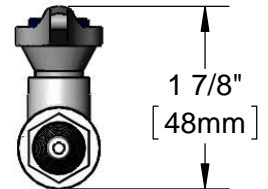
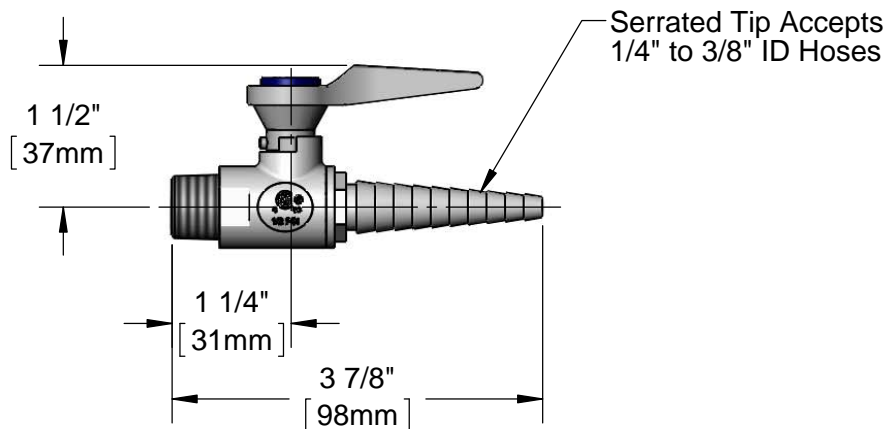
Architect/Engineer \_\_\_\_\_



**ADA Compliant**



209L-AIR  
 Index  
 Included



Product Specifications:  
 Chrome Plated Brass Ball Valve Hose Cock w/ Integral Check Valve,  
 "GAS" and "AIR" Snap-in Indexes

Product Compliance:  
 ANSI Z21.15a / CSA 9.1a (Gas Valves)  
 ANSI A117.1 (ADA)



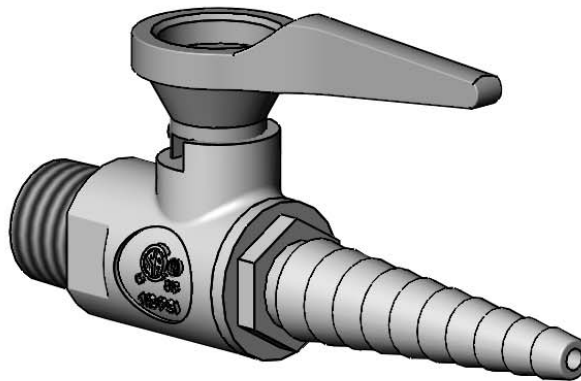
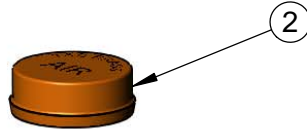
**T&S BRASS AND BRONZE WORKS, INC.**  
2 Saddleback Cove / P.O. Box 1088  
Travelers Rest, SC 29690

Model No.  
**BL-4005-01**

Item No.

Travelers Rest, SC: 800-476-4103 • Simi Valley, CA: 800-423-0150 • Fax: 864-834-3518 • www.tsbrass.com

ITEM NO.	SALES NO.	DESCRIPTION
1	209L-GAS	Dark Blue GAS Snap-In Index
2	209L-AIR	Orange AIR Snap-In Index



Product Specifications:  
Chrome Plated Brass Ball Valve Hose Cock w/ Integral Check Valve,  
"GAS" and "AIR" Snap-in Indexes

Product Compliance:  
ANSI Z21.15a / CSA 9.1a (Gas Valves)  
ANSI A117.1 (ADA)