



# T&S BRASS AND BRONZE WORKS, INC.

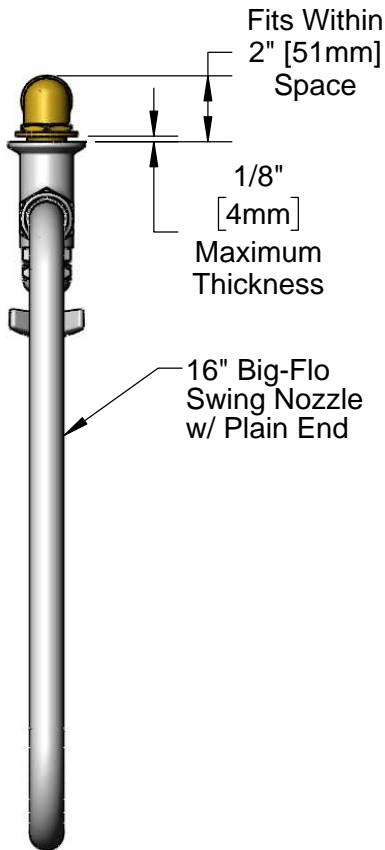
2 Saddleback Cove / P.O. Box 1088  
Travelers Rest, SC 29690

Model No.

**BF-0299-16**

Item No.

Travelers Rest, SC: 800-476-4103 • Simi Valley, CA: 800-423-0150 • Fax: 864-834-3518 • www.tsbrass.com



**ADA Compliant**

This Space for Architect/Engineer Approval

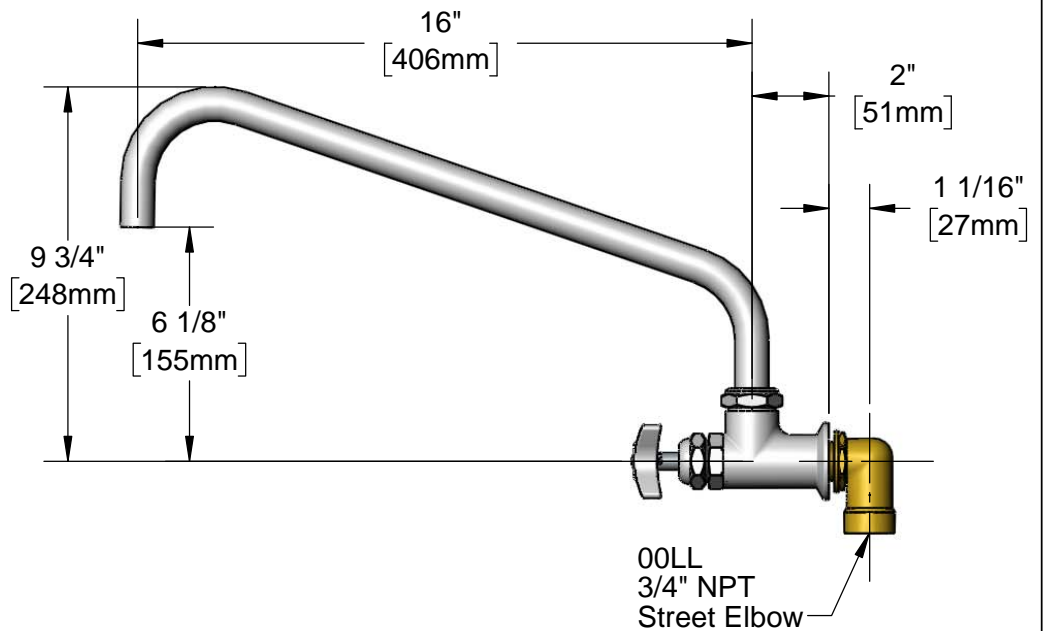
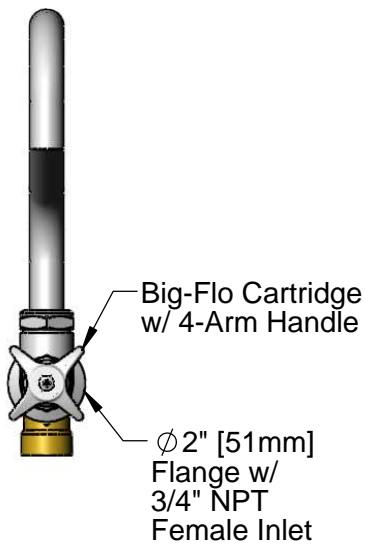
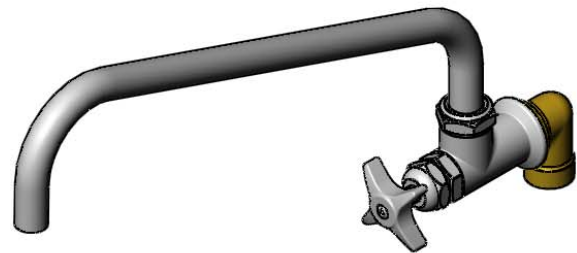
Job Name \_\_\_\_\_ Date \_\_\_\_\_

Model Specified \_\_\_\_\_ Quantity \_\_\_\_\_

Customer/Wholesaler \_\_\_\_\_

Contractor \_\_\_\_\_

Architect/Engineer \_\_\_\_\_



Rough-In Requirement:  
 $\phi 1 1/4'' [32mm]$  Hole

Product Specifications:  
Single Wall Mount Big-Flo Faucet w/ Big-Flo cartridge, 16" Plain End Swing Nozzle, 4-Arm Handle & 3/4" Street Elbow

Product Compliance:  
ASME A112.18.1 / CSA B125.1  
NSF 61 - Section 9  
NSF 372 (Low Lead Content)  
ANSI A117.1 (ADA)

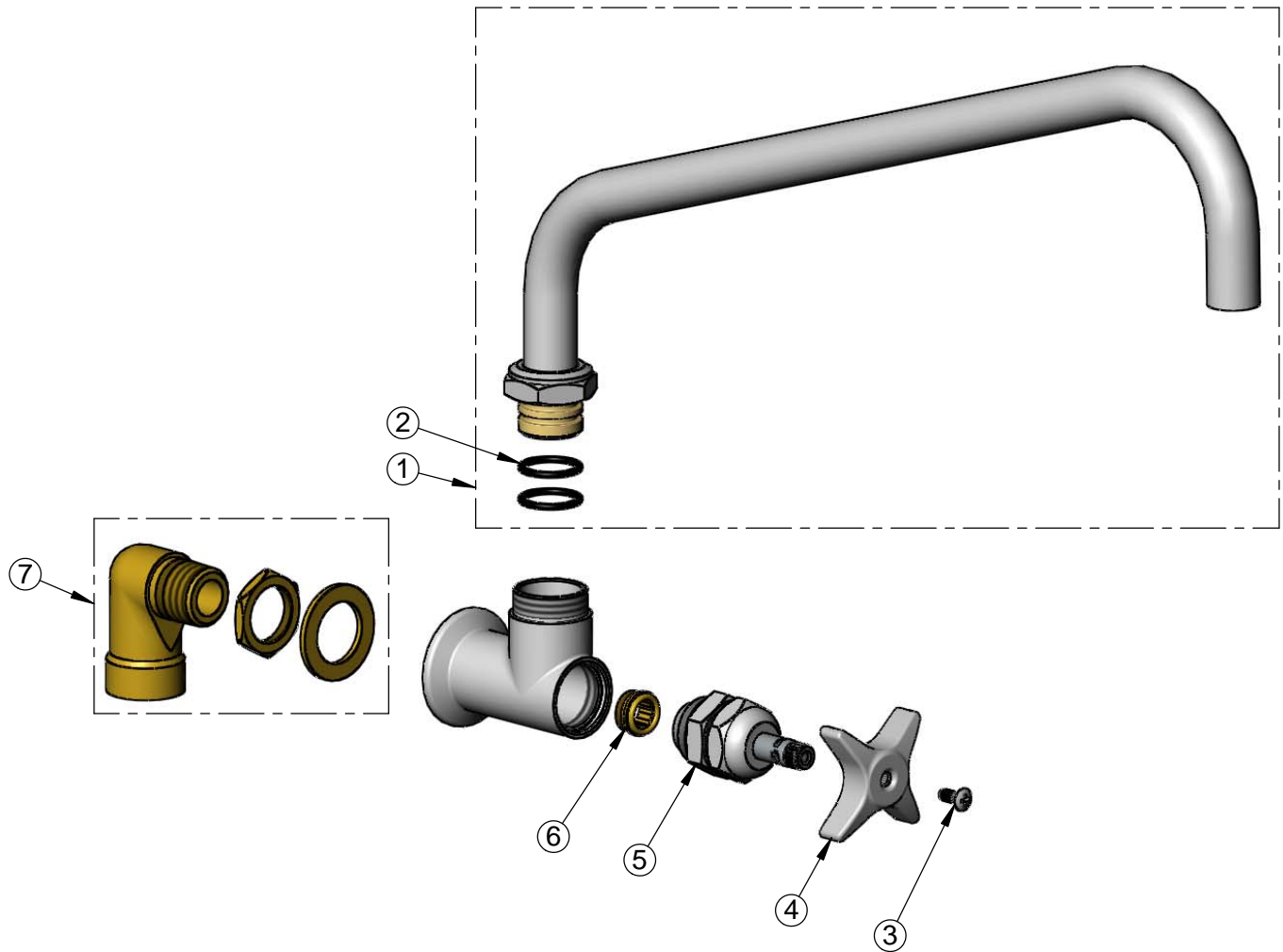


**T&S BRASS AND BRONZE WORKS, INC.**  
 2 Saddleback Cove / P.O. Box 1088  
 Travelers Rest, SC 29690

Model No.  
**BF-0299-16**  
 Item No.

Travelers Rest, SC: 800-476-4103 • Simi Valley, CA: 800-423-0150 • Fax: 864-834-3518 • www.tsbrass.com

ITEM NO.	SALES NO.	DESCRIPTION
1	015297-40	16" Big-Flo Swing Nozzle
2	001068-45	O-ring
3	000922-45	Lever Handle Screw
4	002521-45	4-Arm Handle
5	006482-40	Big-Flo Cartridge, RTC
6	000764-20	Seat, Big-Flo
7	00LL	3/4" Street Elbow Inlet



**Product Specifications:**  
 Single Wall Mount Big-Flo Faucet w/ Big-Flo cartridge, 16" Plain End Swing Nozzle, 4-Arm Handle & 3/4" Street Elbow

**Product Compliance:**  
 ASME A112.18.1 / CSA B125.1  
 NSF 61 - Section 9  
 NSF 372 (Low Lead Content)  
 ANSI A117.1 (ADA)