



# T&S BRASS AND BRONZE WORKS, INC.

2 Saddleback Cove / P.O. Box 1088  
Travelers Rest, SC 29690

Model No.

**BF-0299-14**

Item No.

Travelers Rest, SC: 800-476-4103 • Simi Valley, CA: 800-423-0150 • Fax: 864-834-3518 • www.tsbrass.com



**ADA Compliant**

This Space for Architect/Engineer Approval

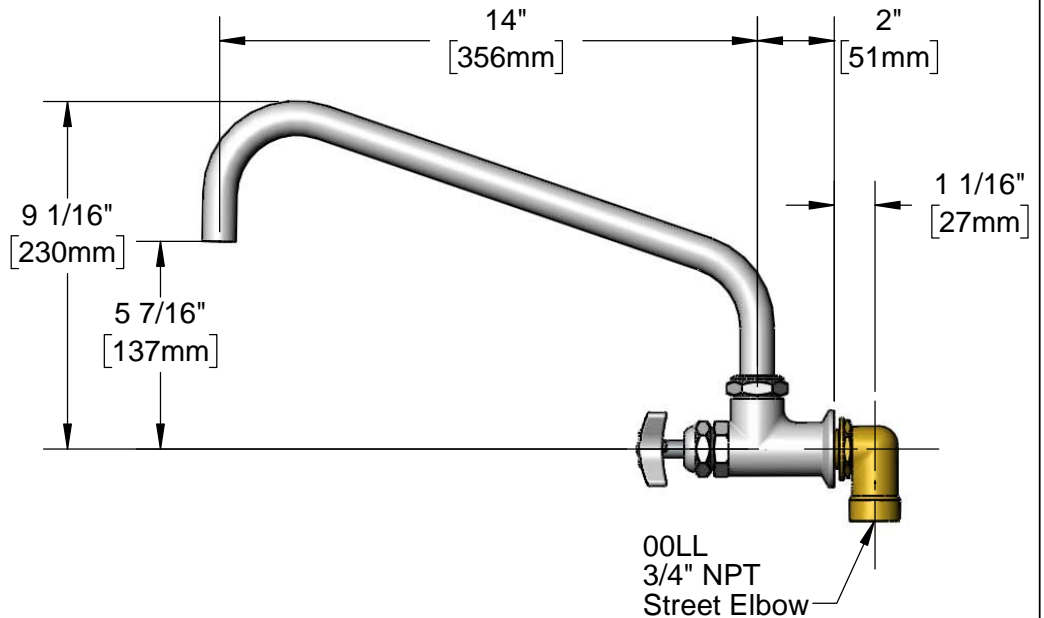
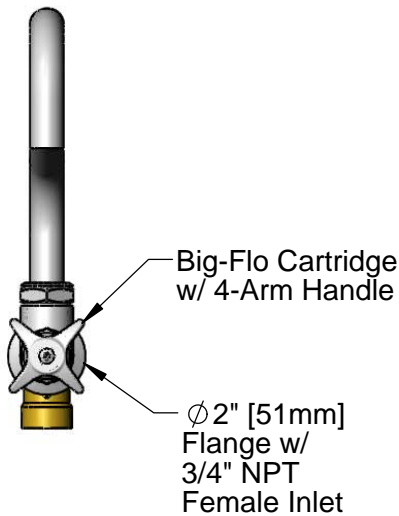
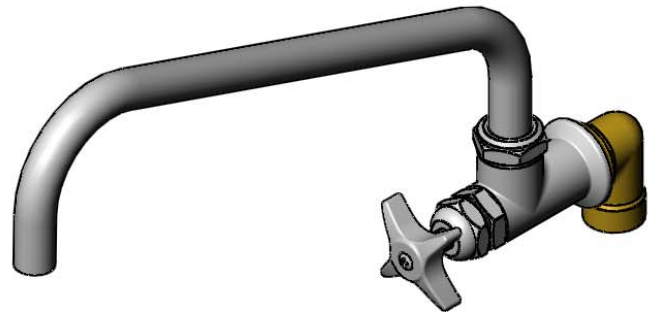
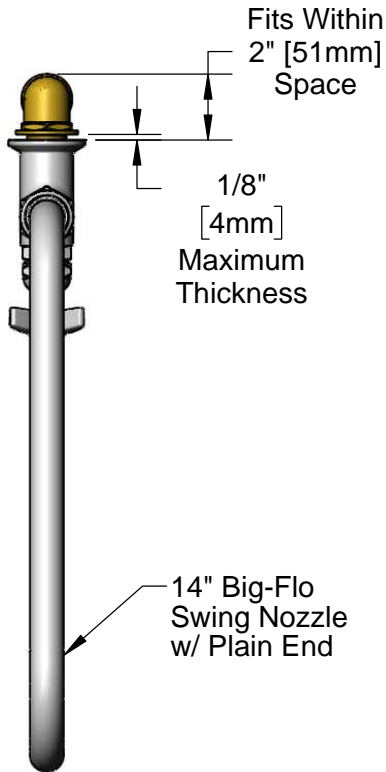
Job Name \_\_\_\_\_ Date \_\_\_\_\_

Model Specified \_\_\_\_\_ Quantity \_\_\_\_\_

Customer/Wholesaler \_\_\_\_\_

Contractor \_\_\_\_\_

Architect/Engineer \_\_\_\_\_



Rough-In Requirement:  
Ø 1 1/4" [32mm] Hole

Product Specifications:  
Single Wall Mount Big-Flo Faucet w/ Big-Flo cartridge, 14" Plain End  
Swing Nozzle, 4-Arm Handle & 3/4" Street Elbow

Product Compliance:  
ASME A112.18.1 / CSA B125.1  
NSF 61 - Section 9  
NSF 372 (Low Lead Content)  
ANSI A117.1 (ADA)



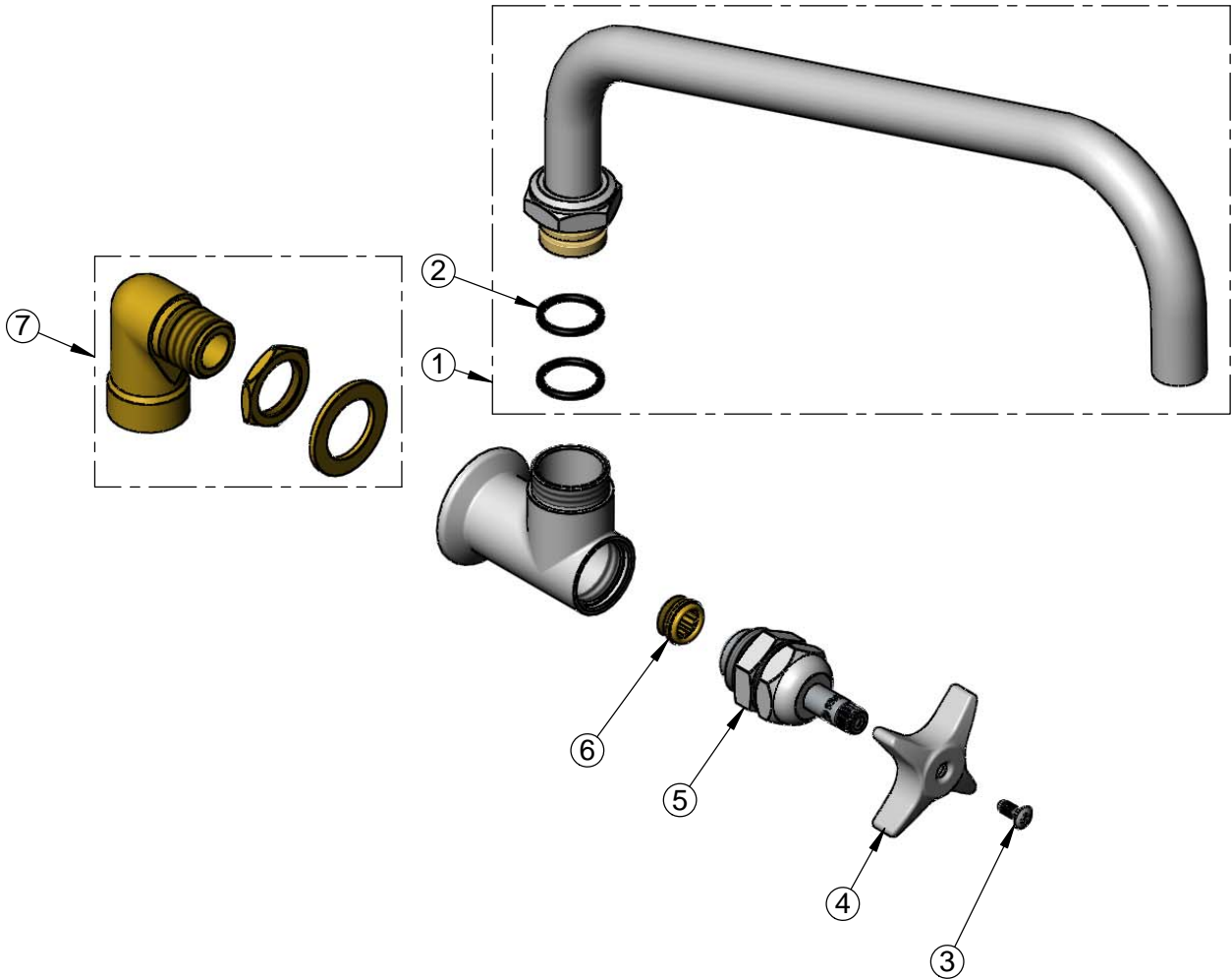
**T&S BRASS AND BRONZE WORKS, INC.**  
 2 Saddleback Cove / P.O. Box 1088  
 Travelers Rest, SC 29690

Model No.  
**BF-0299-14**

Item No.

Travelers Rest, SC: 800-476-4103 • Simi Valley, CA: 800-423-0150 • Fax: 864-834-3518 • www.tsbrass.com

| ITEM NO. | SALES NO. | DESCRIPTION              |
|----------|-----------|--------------------------|
| 1        | 014462-40 | 14" Big-Flo Swing Nozzle |
| 2        | 001068-45 | O-ring                   |
| 3        | 000922-45 | Lever Handle Screw       |
| 4        | 002521-45 | 4-Arm Handle             |
| 5        | 006482-40 | Big-Flo Cartridge, RTC   |
| 6        | 000764-20 | Seat, Big-Flo            |
| 7        | 00LL      | 3/4" Street Elbow Inlet  |



**Product Specifications:**

Single Wall Mount Big-Flo Faucet w/ Big-Flo cartridge, 14" Plain End Swing Nozzle, 4-Arm Handle & 3/4" Street Elbow

**Product Compliance:**

ASME A112.18.1 / CSA B125.1  
 NSF 61 - Section 9  
 NSF 372 (Low Lead Content)  
 ANSI A117.1 (ADA)