



# T&S BRASS AND BRONZE WORKS, INC.

2 Saddleback Cove / P.O. Box 1088  
Travelers Rest, SC 29690

Model No.

**B-WFK**

Item No.

Travelers Rest, SC: 800-476-4103 • Simi Valley, CA: 800-423-0150 • Fax: 864-834-3518 • www.tsbrass.com

This Space for Architect/Engineer Approval

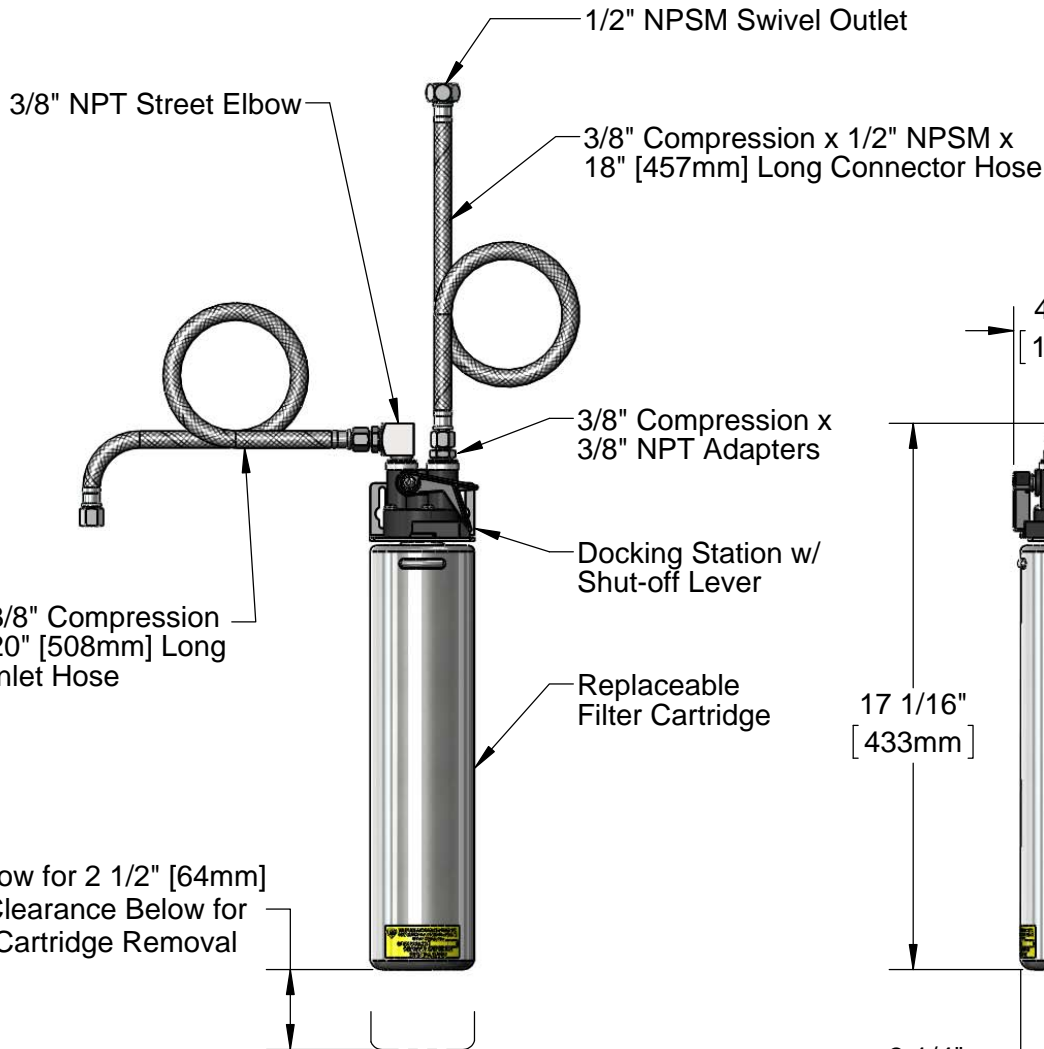
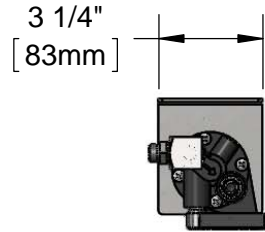
Job Name \_\_\_\_\_ Date \_\_\_\_\_

Model Specified \_\_\_\_\_ Quantity \_\_\_\_\_

Customer/Wholesaler \_\_\_\_\_

Contractor \_\_\_\_\_

Architect/Engineer \_\_\_\_\_



Product Specifications:  
Water Filtration Kit w/ Docking Station, Filter Cartridge, Fittings & Braided Stainless Steel Hoses

Drawn

**DMH**

Checked

**JRM**

Approved

**JHB**

Scale:

**1:6**

Date:

**01/16/14**



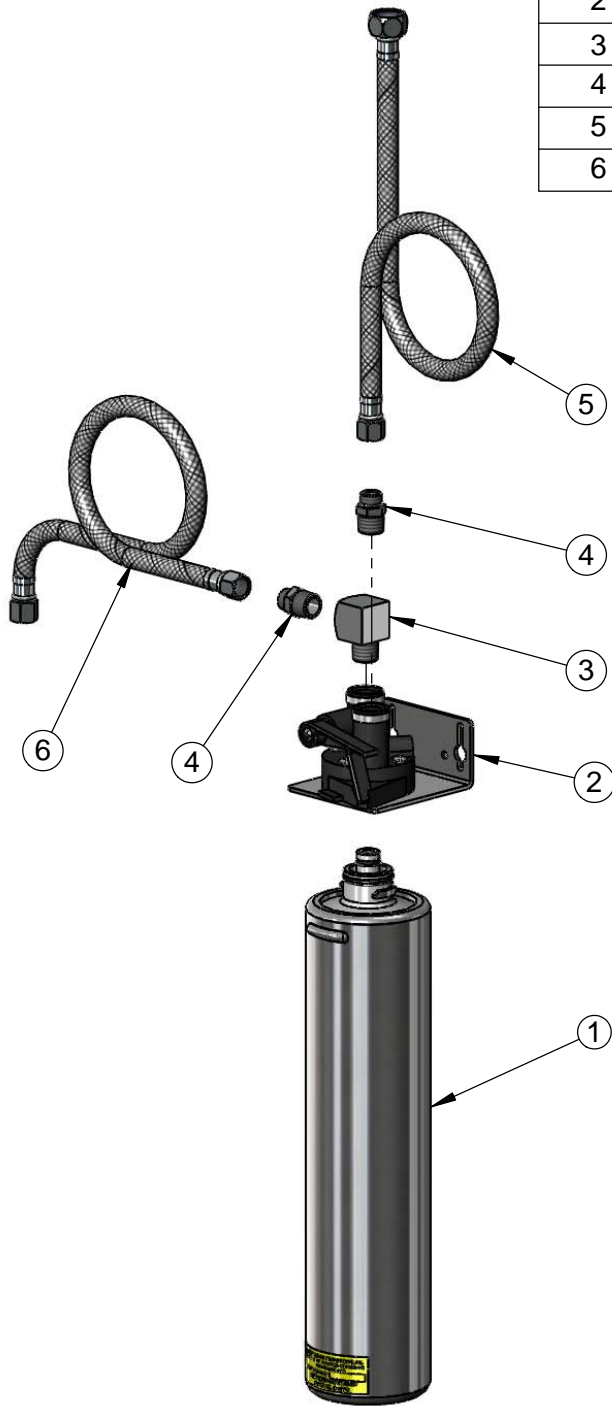
**T&S BRASS AND BRONZE WORKS, INC.**  
 2 Saddleback Cove / P.O. Box 1088  
 Travelers Rest, SC 29690

Model No.  
**B-WFK**

Item No.

Travelers Rest, SC: 800-476-4103 • Simi Valley, CA: 800-423-0150 • Fax: 864-834-3518 • www.tsbrass.com

| ITEM NO. | SALES NO. | DESCRIPTION                             |
|----------|-----------|---|
| 1        | B-WFC     | Filter Cartridge                        |
| 2        | B-WFDS    | Water Filter Docking Station            |
| 3        | 148X      | 3/8 Street Elbow                        |
| 4        | 006101-45 | Adapter, 3/8" NPT x 9/16"-24 UN Male    |
| 5        | 5EF-0005  | Supply Hose, 9/16-24 Female x 1/2" NPSM |
| 6        | 013146-45 | Supply Hose, 9/16-24 Fem (3/8" Comp)    |



Product Specifications:  
 Water Filtration Kit w/ Docking Station, Filter Cartridge, Fittings &  
 Braided Stainless Steel Hoses

|                      |                       |                          |
|----------------------|-----------------------|--------------------------|
| Drawn<br><b>DMH</b>  | Checked<br><b>JRM</b> | Approved<br><b>JHB</b>   |
| Scale:<br><b>NTS</b> |                       | Date:<br><b>01/16/14</b> |