



T&S BRASS AND BRONZE WORKS, INC.

2 Saddleback Cove / P.O. Box 1088
Travelers Rest, SC 29690



REG. #A2601
ISO #9001

Model No.

B-SDA

Item No.

Travelers Rest, SC: 800-476-4103 Simi Valley, CA: 800-423-0150 Fax: 864-834-3518 www.tsbrass.com

This Space for Architect/Engineer Approval

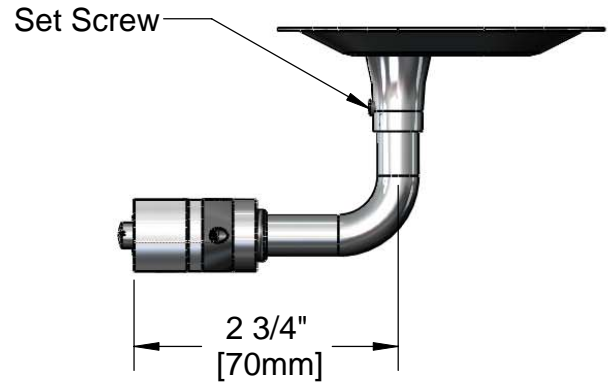
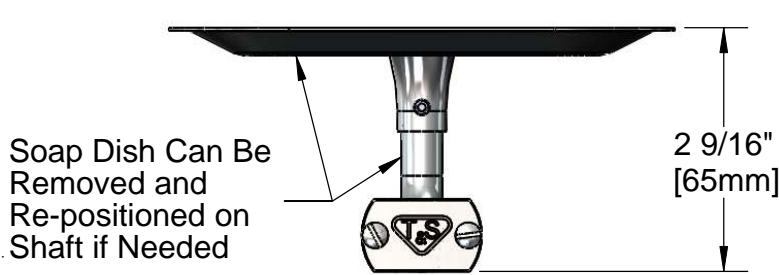
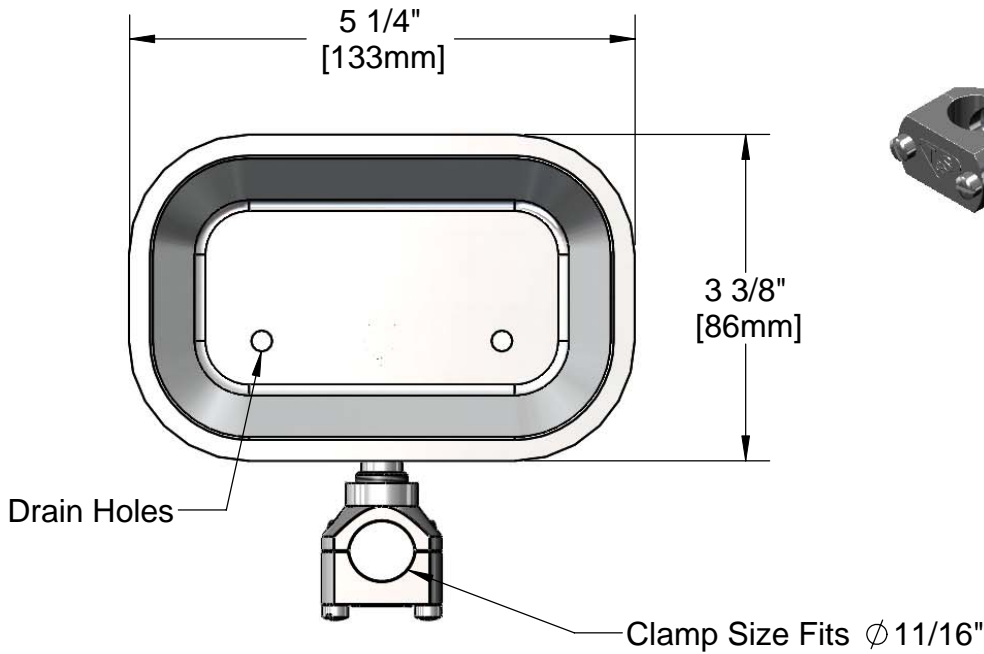
Job Name _____ Date _____

Model Specified _____ Quantity _____

Customer/Wholesaler _____

Contractor _____

Architect/Engineer _____



Product Specifications:

Soap Dish Assembly

Drawn KJG	Checked DHL	Approved JHB
Scale: 1:2		Date: 10/05/09



T&S BRASS AND BRONZE WORKS, INC.

2 Saddleback Cove / P.O. Box 1088
Travelers Rest, SC 29690



REG. #A2601
ISO #9001

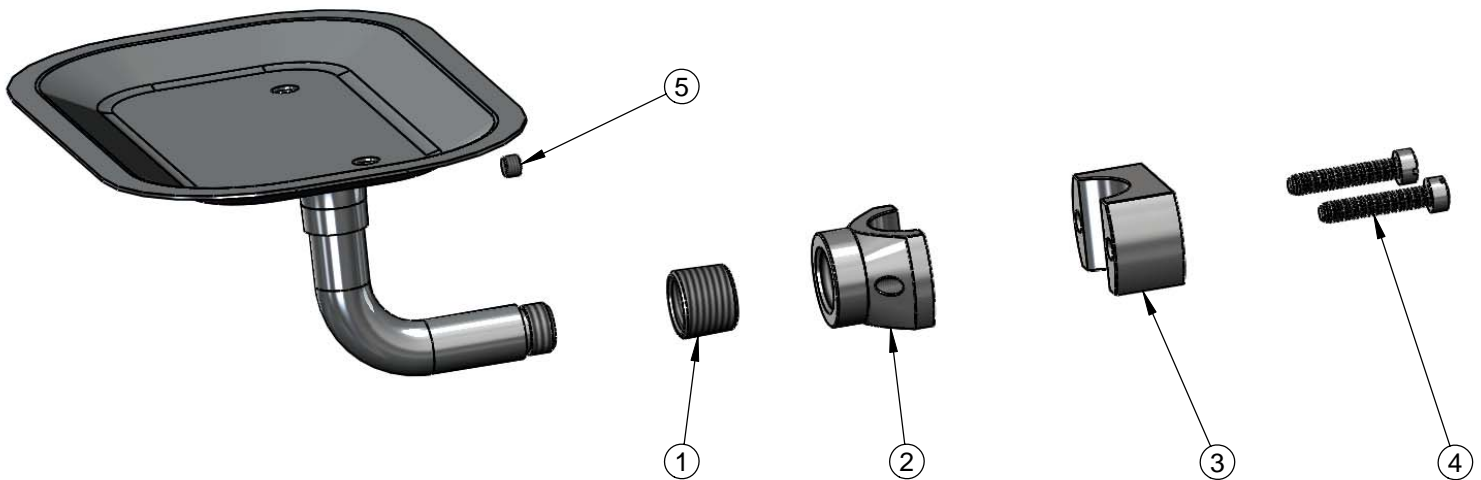
Model No.

B-SDA

Item No.

Travelers Rest, SC: 800-476-4103 Simi Valley, CA: 800-423-0150 Fax: 864-834-3518 www.tsbrass.com

ITEM NO.	SALES NO.	DESCRIPTION
1	016791-25	Face Bushing, 1/4 NPT-M x 1/8 NPSM-F
2	000636-40	B-0109, Clamp Back
3	000631-40	B-0109, Clamp Front
4	000914-45	B-0109, Clamp Screw
5	000939-45	Escutcheon, Set Screw



Product Specifications:

Soap Dish Assembly

Drawn

KJG

Checked

DHL

Approved

JHB

Scale:

NTS

Date:

10/05/09