



T&S BRASS AND BRONZE WORKS, INC.
 2 Saddleback Cove / P.O. Box 1088
 Travelers Rest, SC 29690

Model No.
B-7245-NH

Item No.

Travelers Rest, SC: 800-476-4103 • Simi Valley, CA: 800-423-0150 • Fax: 864-834-3518 • www.tsbrass.com

This Space for Architect/Engineer Approval

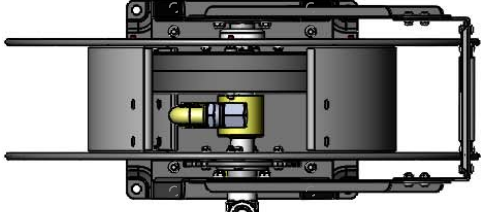
Job Name _____ Date _____

Model Specified _____ Quantity _____

Customer/Wholesaler _____

Contractor _____

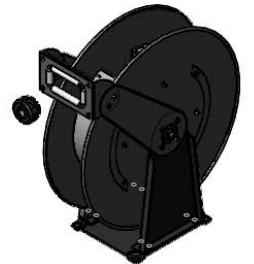
Architect/Engineer _____



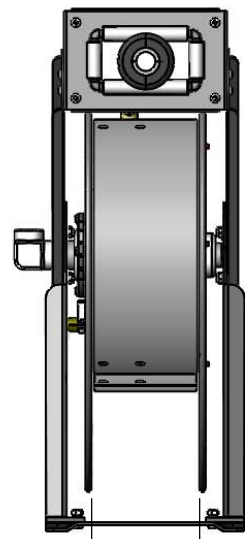
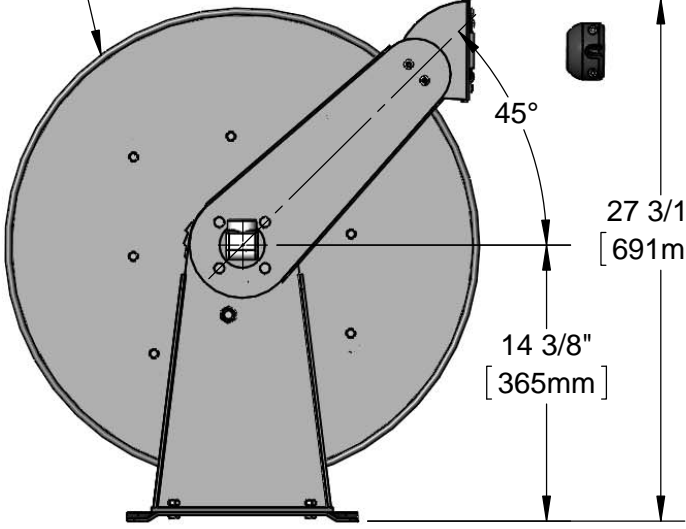
3/4" NPT
 Female
 Inlet



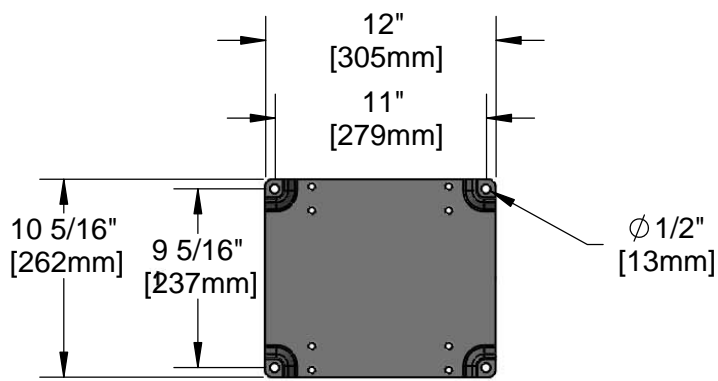
3/4" Hose Stop
 Included



Ø 24 1/2"
 [622mm]



5 5/8"
 [143mm]



Product Specifications:
 Epoxy Coated Open Hose Reel w/ Double Arm Support & 3/4" Hose Coupling

Product Compliance:
 NSF 61 Exempt (Non-Potable)