



T&S BRASS AND BRONZE WORKS, INC.

2 Saddleback Cove / P.O. Box 1088
Travelers Rest, SC 29690

Model No.

B-7245-04

Item No.

Travelers Rest, SC: 800-476-4103 • Simi Valley, CA: 800-423-0150 • Fax: 864-834-3518 • www.tsbrass.com

This Space for Architect/Engineer Approval

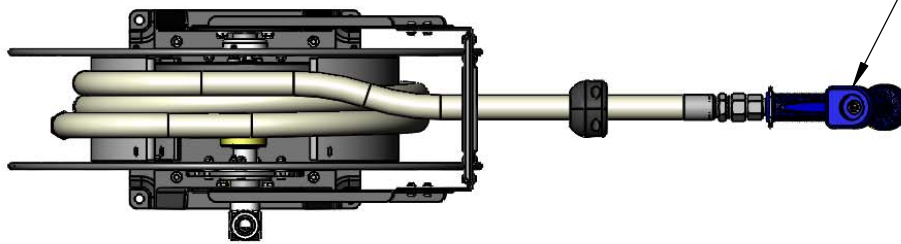
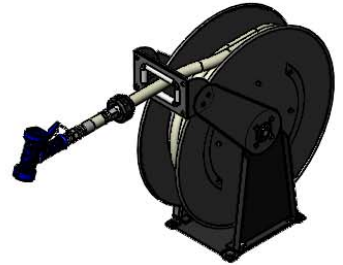
Job Name _____ Date _____

Model Specified _____ Quantity _____

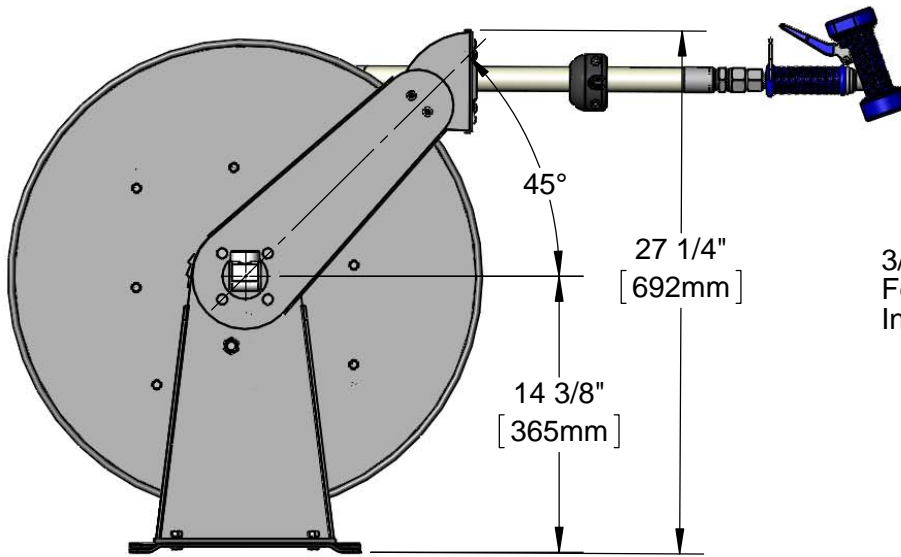
Customer/Wholesaler _____

Contractor _____

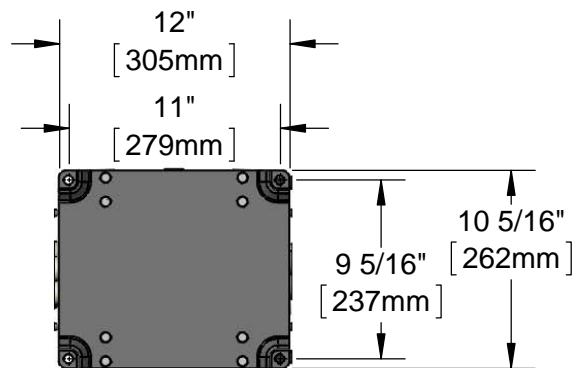
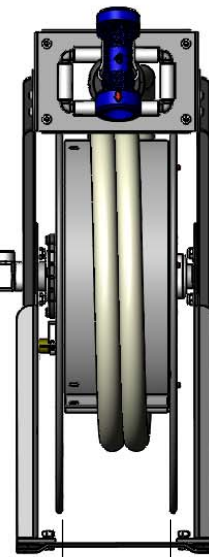
Architect/Engineer _____



MV-2516-44
Rear Trigger Water Gun
w/ Stainless Steel Body &
Royal Blue Rubber Cover



3/4" NPT
Female
Inlet



Product Specifications:
Epoxy Coated Open Hose Reel w/ 3/4" x 50' Creamery
Hose, MV-2516-44 Rear Trigger Water Gun & Double
Arm Support

Product Compliance:
NSF 61 Exempt (Non-Potable)

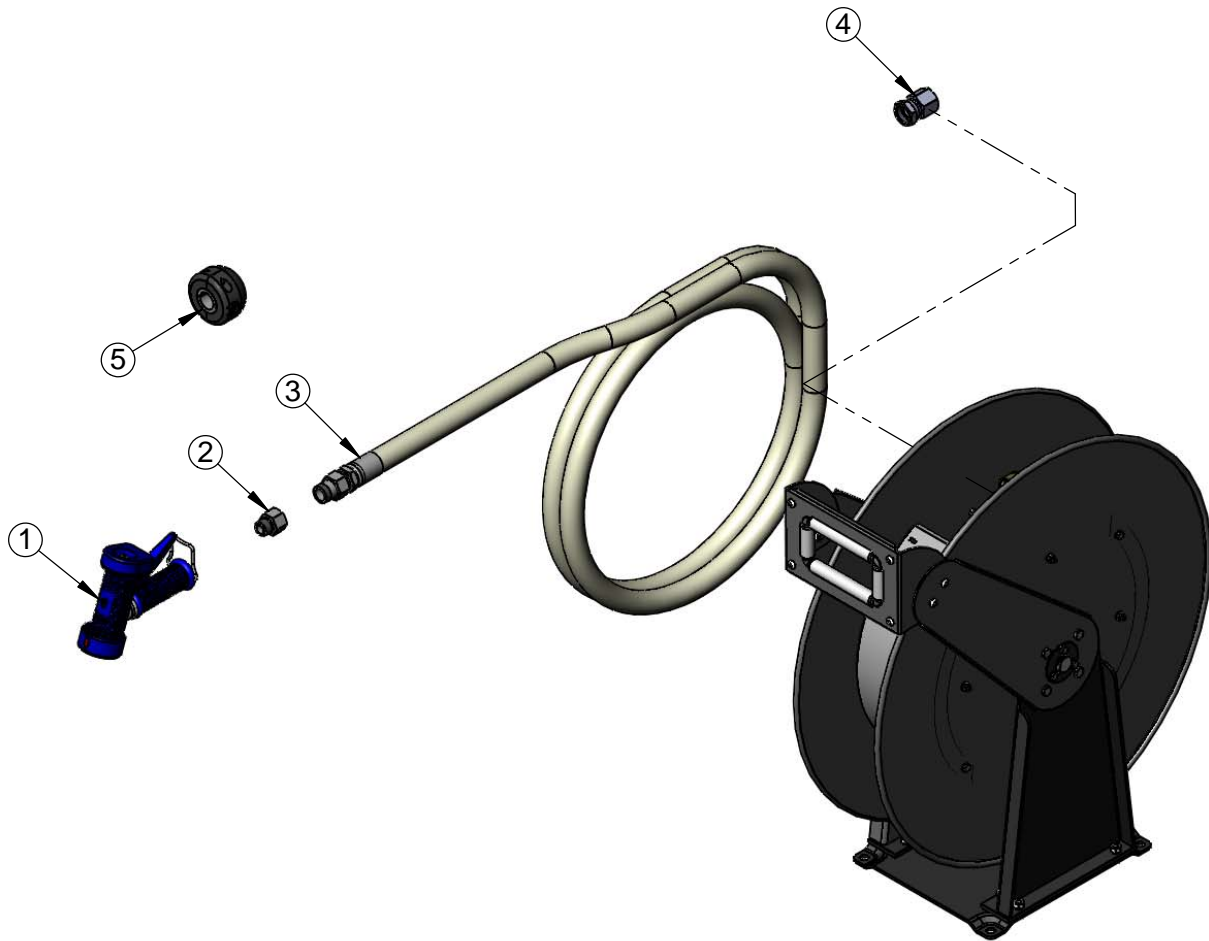


T&S BRASS AND BRONZE WORKS, INC.
 2 Saddleback Cove / P.O. Box 1088
 Travelers Rest, SC 29690

Model No.
B-7245-04
 Item No.

Travelers Rest, SC: 800-476-4103 • Simi Valley, CA: 800-423-0150 • Fax: 864-834-3518 • www.tsbrass.com

ITEM NO.	SALES NO.	DESCRIPTION
1	MV-2516-44	Front Trigger Water Gun, 9/16 Orifice
2	006112-25	Adapter, 3/4" NPT Female x 1/2" NPT Male
3	004980-40	50' of 3/4" Creamery Hose
4	015713-45	Swivel Connector, 3/4" NPT Female x 3/4" NPT Female
5	014949-45	Hose Stop Repair Kit



Product Specifications:
 Epoxy Coated Open Hose Reel w/ 3/4" x 50' Creamery
 Hose, MV-2516-44 Rear Trigger Water Gun & Double
 Arm Support

Product Compliance:
 NSF 61 Exempt (Non-Potable)