



T&S BRASS AND BRONZE WORKS, INC.
 2 Saddleback Cove / P.O. Box 1088
 Travelers Rest, SC 29690

Model No.
B-7242-C08H

Item No.

Travelers Rest, SC: 800-476-4103 • Simi Valley, CA: 800-423-0150 • Fax: 864-834-3518 • www.tsbrass.com

This Space for Architect/Engineer Approval

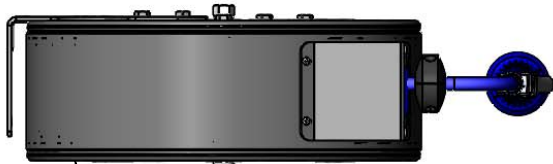
Job Name _____ Date _____

Model Specified _____ Quantity _____

Customer/Wholesaler _____

Contractor _____

Architect/Engineer _____

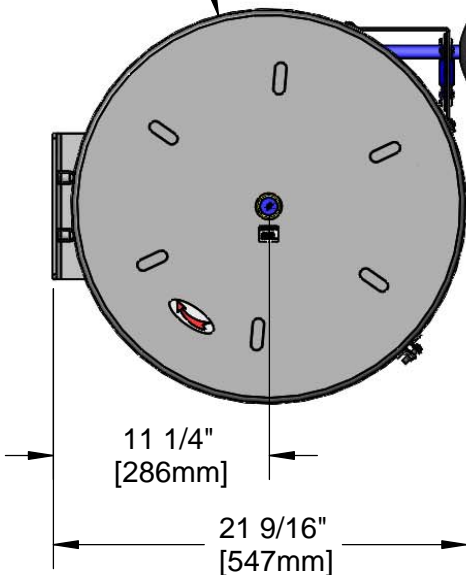


3/8" NPT Female Inlet
 (Left Side of Reel)

Enclosed Coated Hose Reel;
 50 Ft. of 3/8" Hose



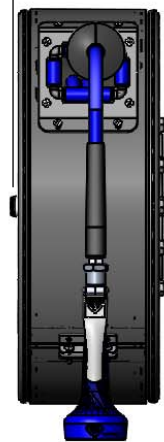
$\varnothing 20 \frac{9}{16}"$
 [522mm]



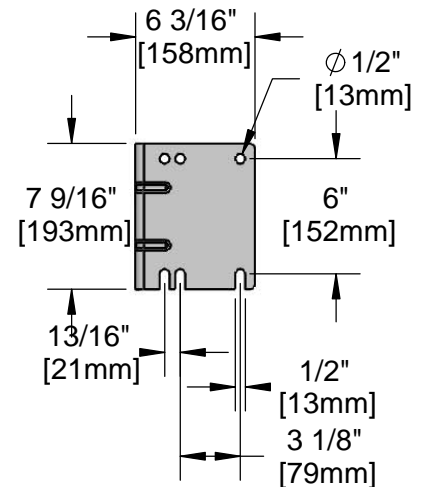
11 1/4"
 [286mm]

21 9/16"
 [547mm]

8 7/16"
 [214mm]



B-0108-H
 High Flow
 Spray Valve



Product Specifications:
 3/8" x 50 Ft. Enclosed Coated Reel w/ High Flow Spray Valve

Product Compliance:
 NSF 61 Exempt (Non-Potable)
 EPA Act 2005 Non-Compliant (PRSV)



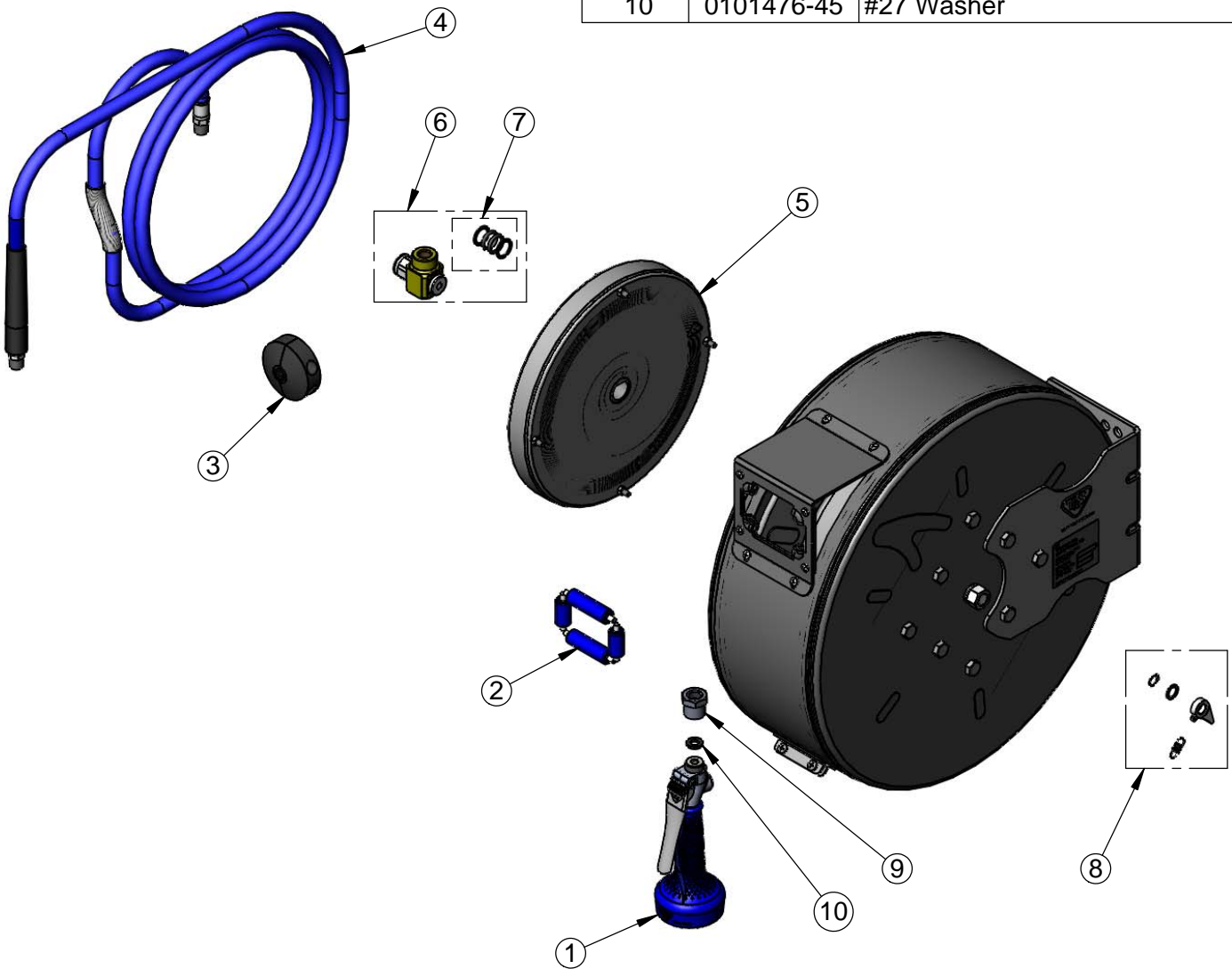
T&S BRASS AND BRONZE WORKS, INC.
 2 Saddleback Cove / P.O. Box 1088
 Travelers Rest, SC 29690

Model No.
B-7242-C08H

Item No.

Travelers Rest, SC: 800-476-4103 • Simi Valley, CA: 800-423-0150 • Fax: 864-834-3518 • www.tsbrass.com

ITEM NO.	SALES NO.	DESCRIPTION
1	B-0108-H	High Flow Spray Valve
2	014937-45	Roller Replacement Kit
3	014949-45	Hose Stop Repair Kit
4	014942-45	3/8" x 50' Hose Replacement Kit
5	014934-45	Large Coated Spring Assembly
6	019561-45	3/8" x 50' Swivel Repair Kit
7	019473-45	3/8" x 50' O-Ring Replacement Kit
8	014940-45	Ratchet Repair Kit
9	016154-25	B-0108 3/8" NPT Hose Adapter
10	0101476-45	#27 Washer



Product Specifications:
 3/8" x 50 Ft. Enclosed Coated Reel w/ High Flow Spray Valve

Product Compliance:
 NSF 61 Exempt (Non-Potable)
 EPA Act 2005 Non-Compliant (PRSV)